

GAME 1101

OLE SOUTH

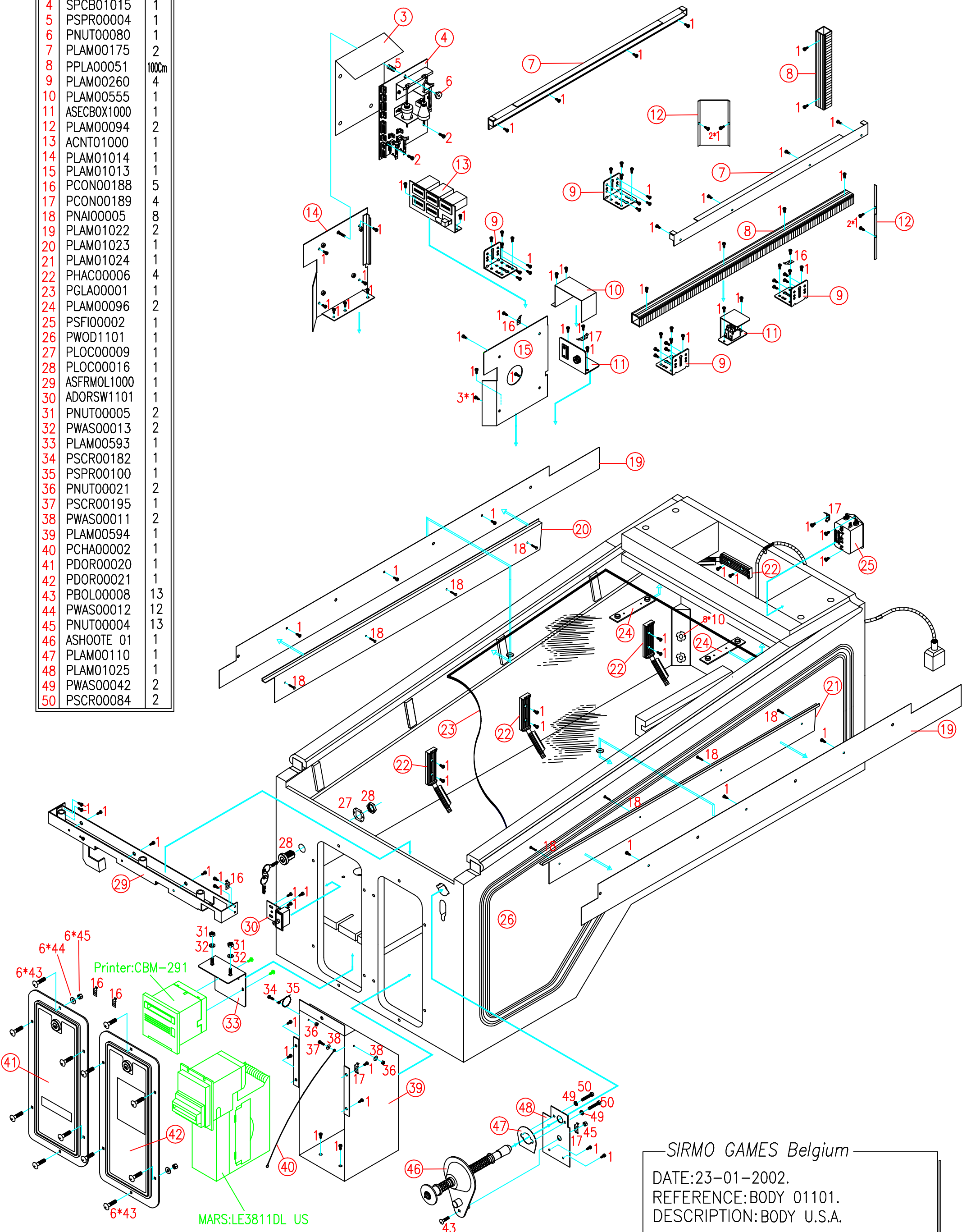


-February 2002-

-PARTS CATALOG-

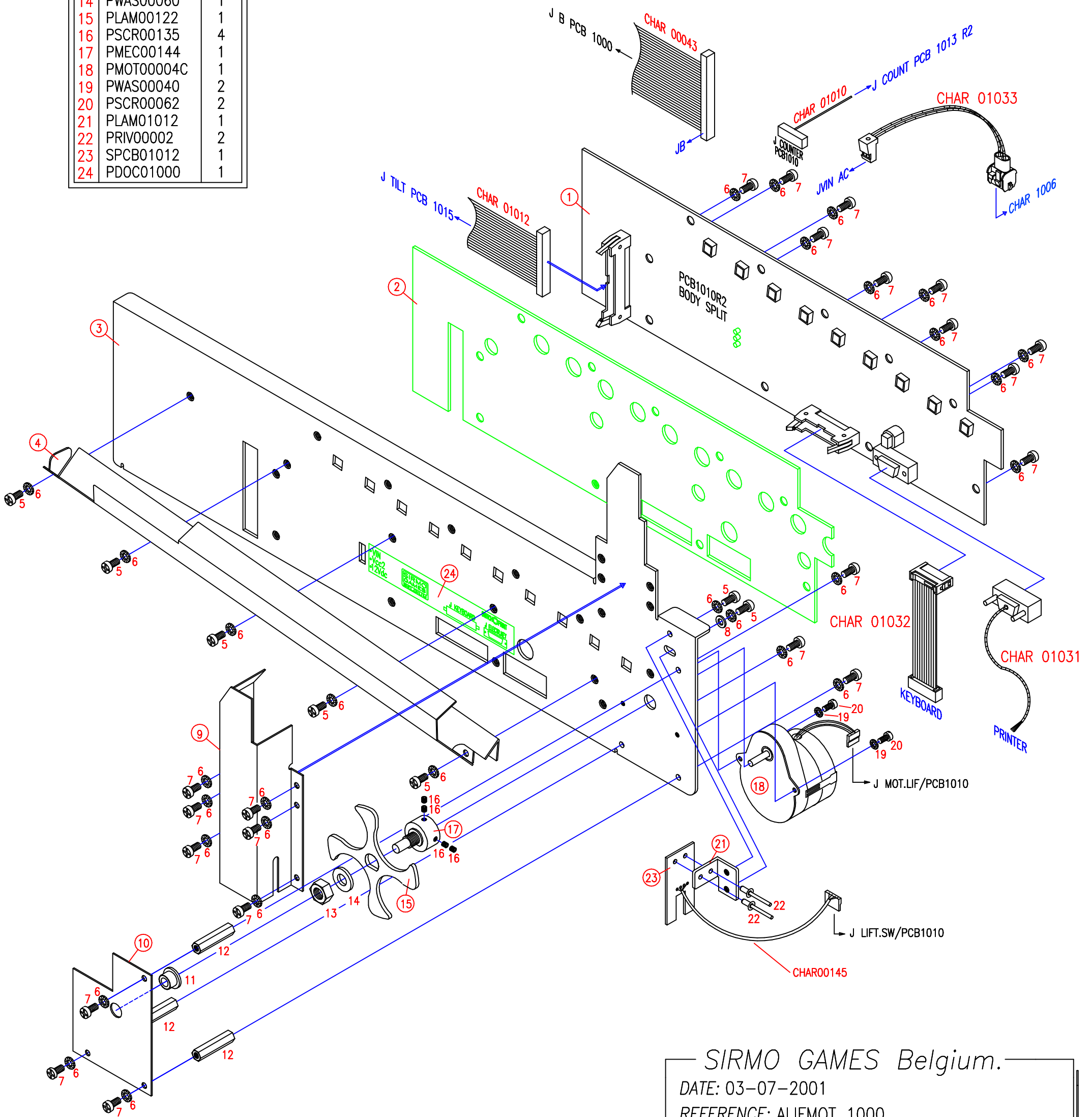
-PDOC 01701-

N°	COMPONENTS	Qty
1	PSCR00041	109
2	PSCR00072	2
3	PPLA01015	1
4	SPCB01015	1
5	PSPR00004	1
6	PNUT00080	1
7	PLAM00175	2
8	PPLA00051	100cm
9	PLAM00260	4
10	PLAM00555	1
11	ASECB0X1000	1
12	PLAM00094	2
13	ACNT01000	1
14	PLAM01014	1
15	PLAM01013	1
16	PCON00188	5
17	PCON00189	4
18	PNAI00005	8
19	PLAM01022	2
20	PLAM01023	1
21	PLAM01024	1
22	PHAC00006	4
23	PGLA00001	1
24	PLAM00096	2
25	PSFI00002	1
26	PWOD1101	1
27	PLOC00009	1
28	PLOC00016	1
29	ASFRMOL1000	1
30	ADORSW1101	1
31	PNUT00005	2
32	PWAS00013	2
33	PLAM00593	1
34	PSCR00182	1
35	PSPR00100	1
36	PNUT00021	2
37	PSCR00195	1
38	PWAS00011	2
39	PLAM00594	1
40	PCHA00002	1
41	PDOR00020	1
42	PDOR00021	1
43	PBOL00008	13
44	PWAS00012	12
45	PNUT00004	13
46	ASHOOTE 01	1
47	PLAM00110	1
48	PLAM01025	1
49	PWAS00042	2
50	PSCR00084	2

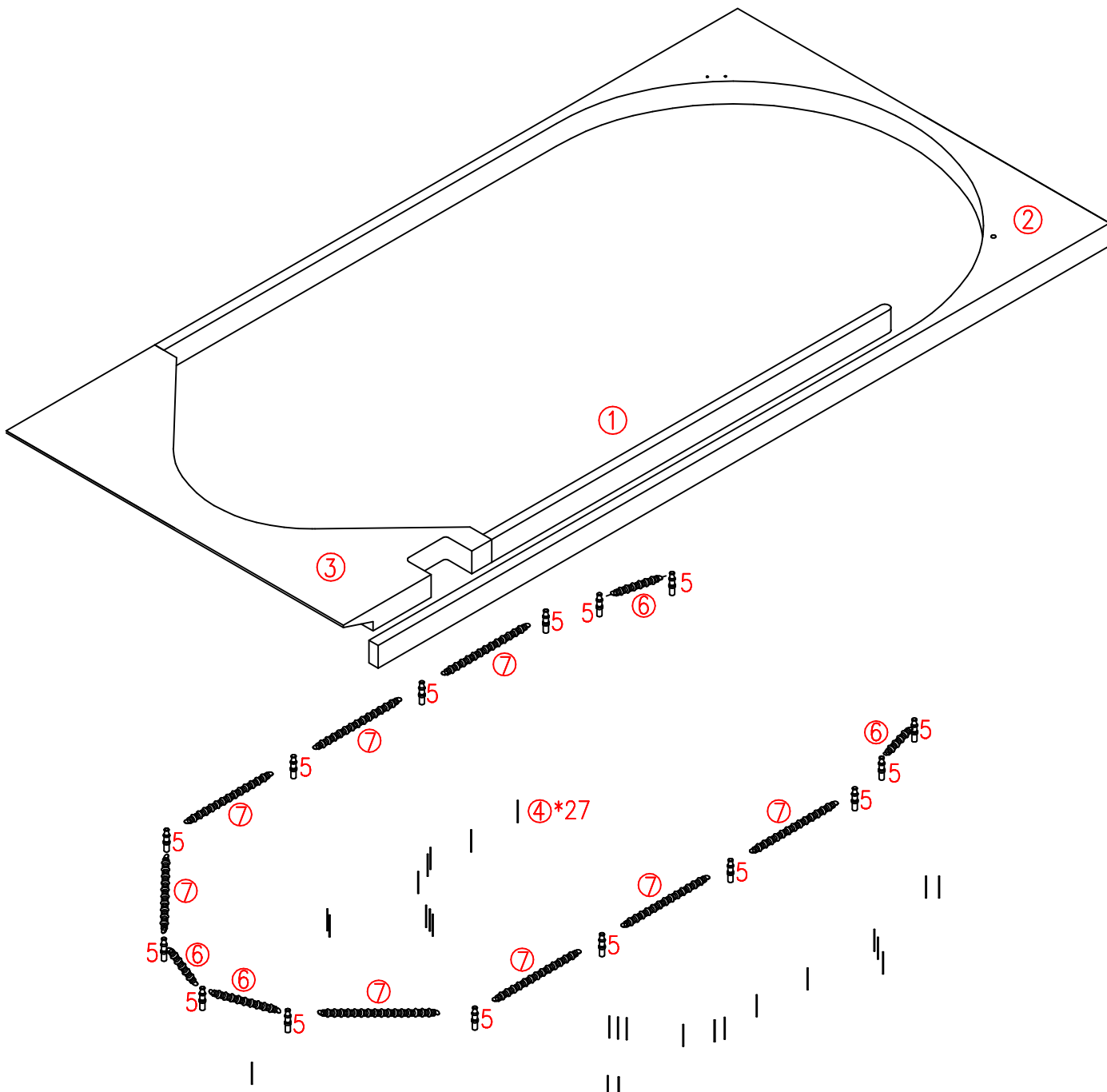


SIRMO GAMES Belgium
DATE:23-01-2002.
REFERENCE:BODY 01101.
DESCRIPTION:BODY U.S.A.

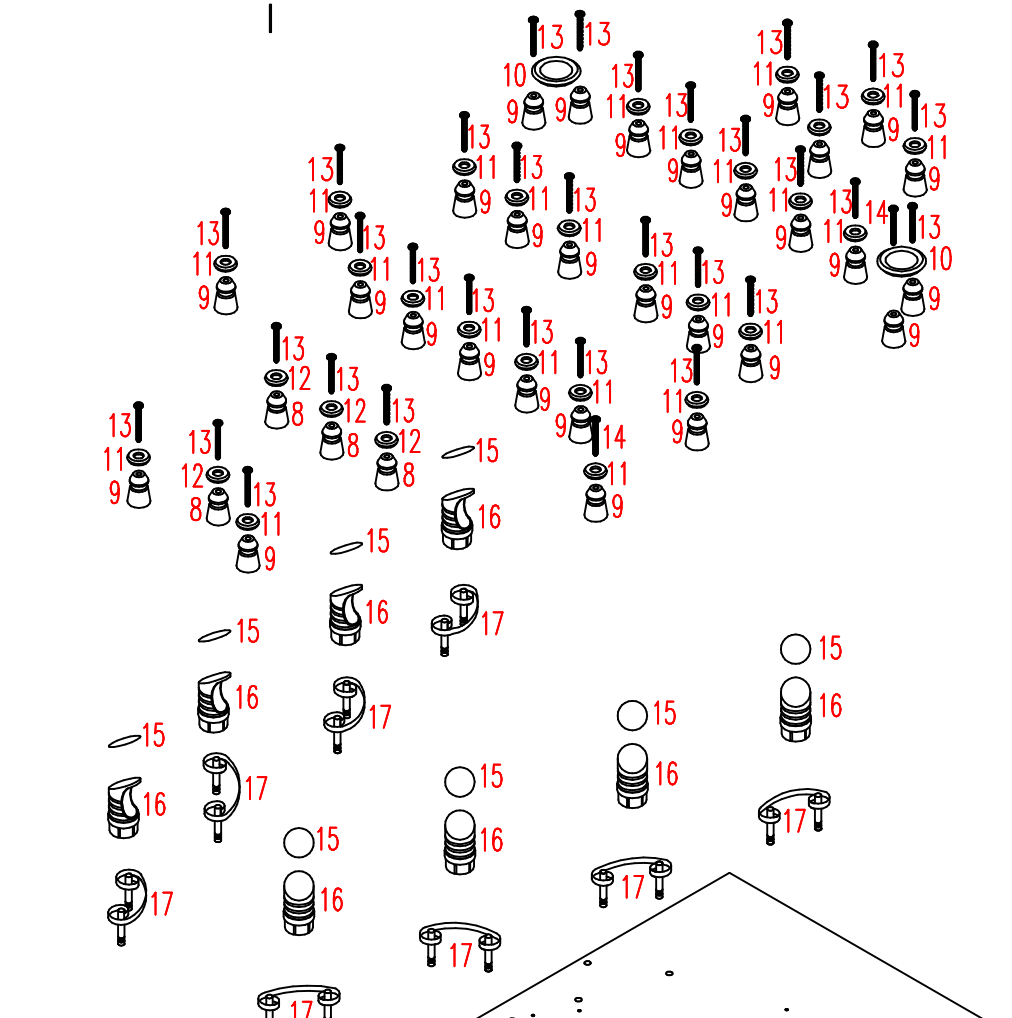
N°	COMPONENTS	Qty
1	SPCB01010R2	1
2	PPCB01011R2	1
3	PLAM01010	1
4	PLAM01011	1
5	PSCR00180	7
6	PWAS00041	29
7	PSCR00182	22
8	PWAS00002	1
9	PLAM00323	1
10	PLAM00324	1
11	PMEC00106	1
12	PMEC00142	3
13	PNUT00006	1
14	PWAS00060	1
15	PLAM00122	1
16	PSCR00135	4
17	PMEC00144	1
18	PMOT00004C	1
19	PWAS00040	2
20	PSCR00062	2
21	PLAM01012	1
22	PRIV00002	2
23	SPCB01012	1
24	PDOC01000	1



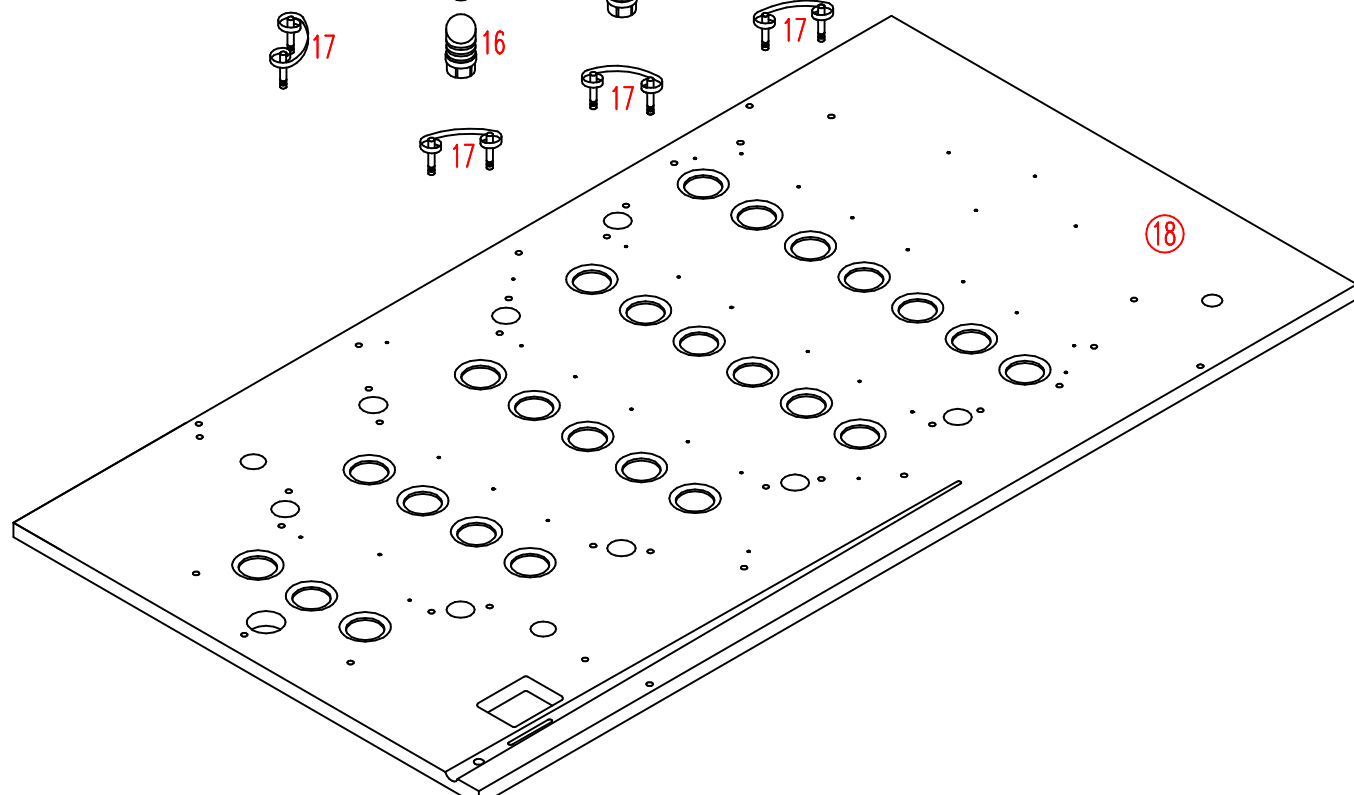
— SIRMO GAMES Belgium. —
 DATE: 03-07-2001
 REFERENCE: ALIFMOT 1000
 DESCRIPTION: LIFTER MOTOR ASSY SERIAL 1000

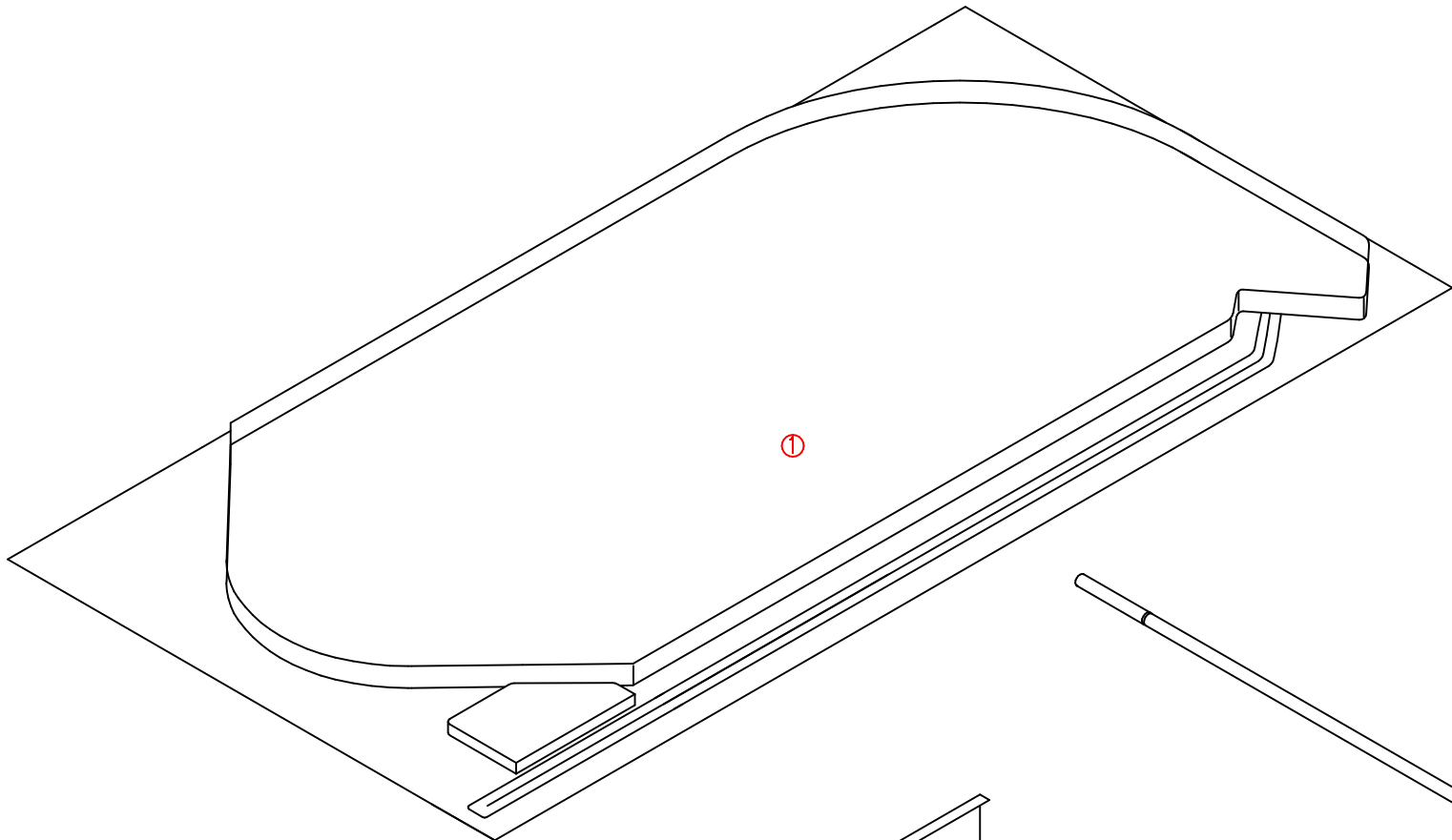


N°	COMPONENTS	Qty
01	PWOD00005	1
02	PWOD01006	1
03	PWOD01009	1
04	PNAI00030	27
05	PNAI00031	15
06	PSPR00010	4
07	PSPR00011	8
08	PPLA00007	4
09	PPLA00008	30
10	PRUB00003	2
11	PRUB00004	26
12	PRUB00005	4
13	PSCR00047A	32
14	PSCR00047	2
15	PPLA00040	8
16	PPLA00009	8
17	PSPR00009	8
18	PPOL01000	1

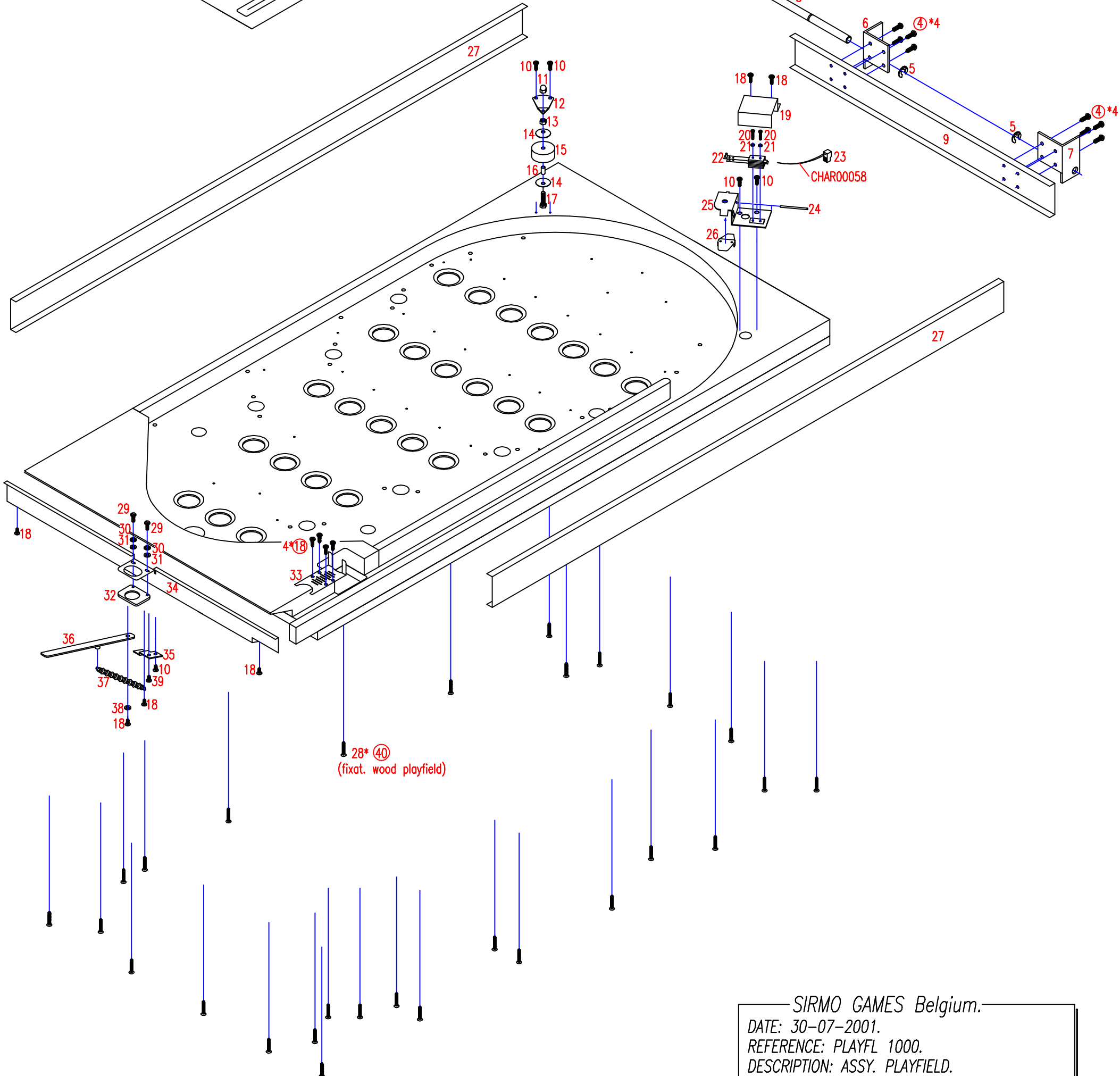


— SIRMO GAMES Belgium. —
 DATE: 30-07-2001.
 REFERENCE: PLAYFL 1000.
 DESCRIPTION: ASSY PLAYFIELD.
 SHEET: 1 of 3.

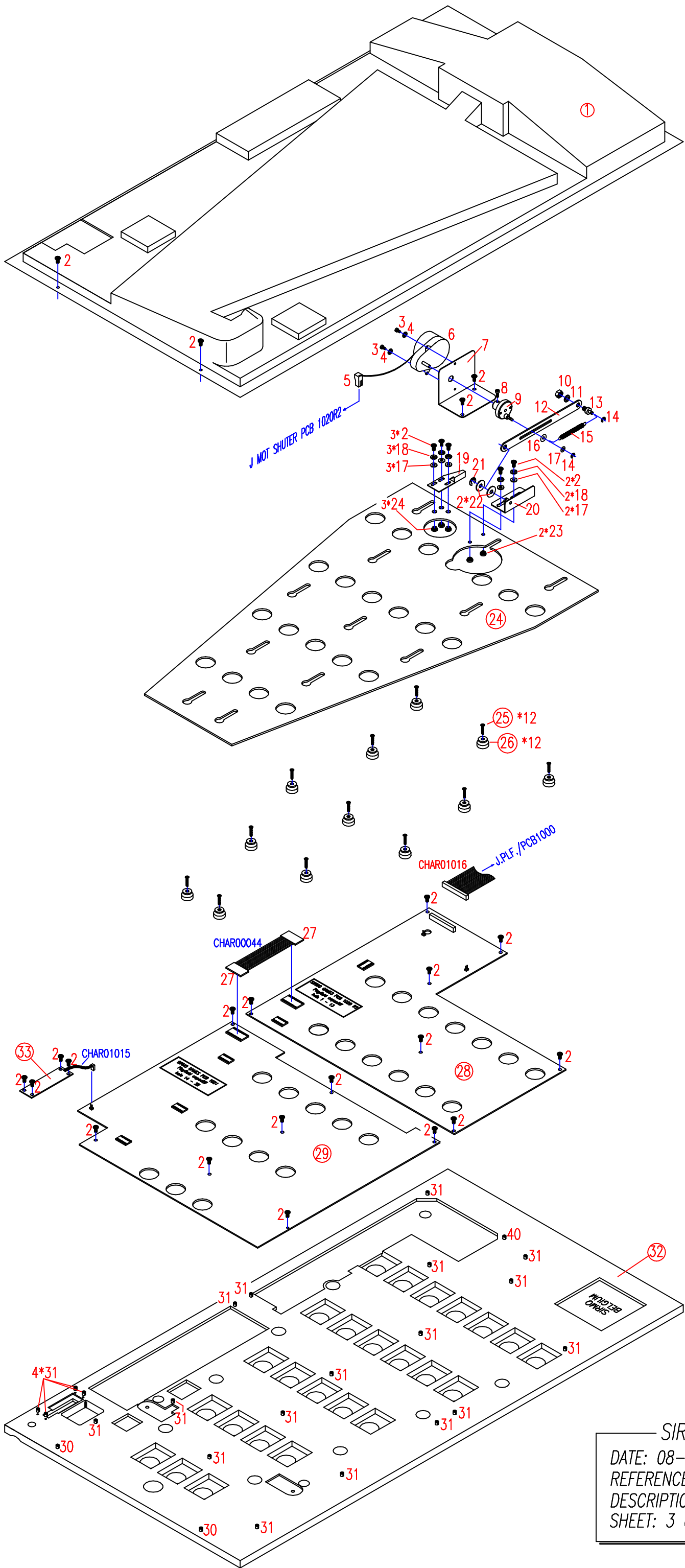




N°	COMPONENTS	Qty	N°	COMPONENTS	Qty
1	PPLA00152	1	21	PWAS00001	2
			22	PSWT00011	1
			23	PCON00269+PCON00353	1
4	PSCRO0046	8	24	PMECO0100	1
5	PCIRO0006	2	25	PLAM00053	1
6	PLAM00180R2	1	26	PLAM00054	1
7	PLAM00179R2	1	27	PLAM00173	2
8	PMECO0126	1			
9	PLAM00174	1	29	PSCRO0062	2
10	PSCRO0041	5	30	PWAS00001	2
11	PNUT00040	1	31	PWAS00040	2
12	PLAM00059	1	32	PLAM01021R2	1
13	PNUT00004	1	33	PLAM00081	1
14	PLAM00060	2	34	PLAM01020	1
15	PRUB00002	1	35	PLAM00084	1
16	PMECO0053	1	36	PLAM00083	1
17	PSCRO0156	1	37	PSPR00010	1
18	PSCRO0040	10	38	PWAS00011	1
19	PLAM00080	1	39	PSCRO0039	1
20	PSCRO0065	2	40	PSCRO0096	28

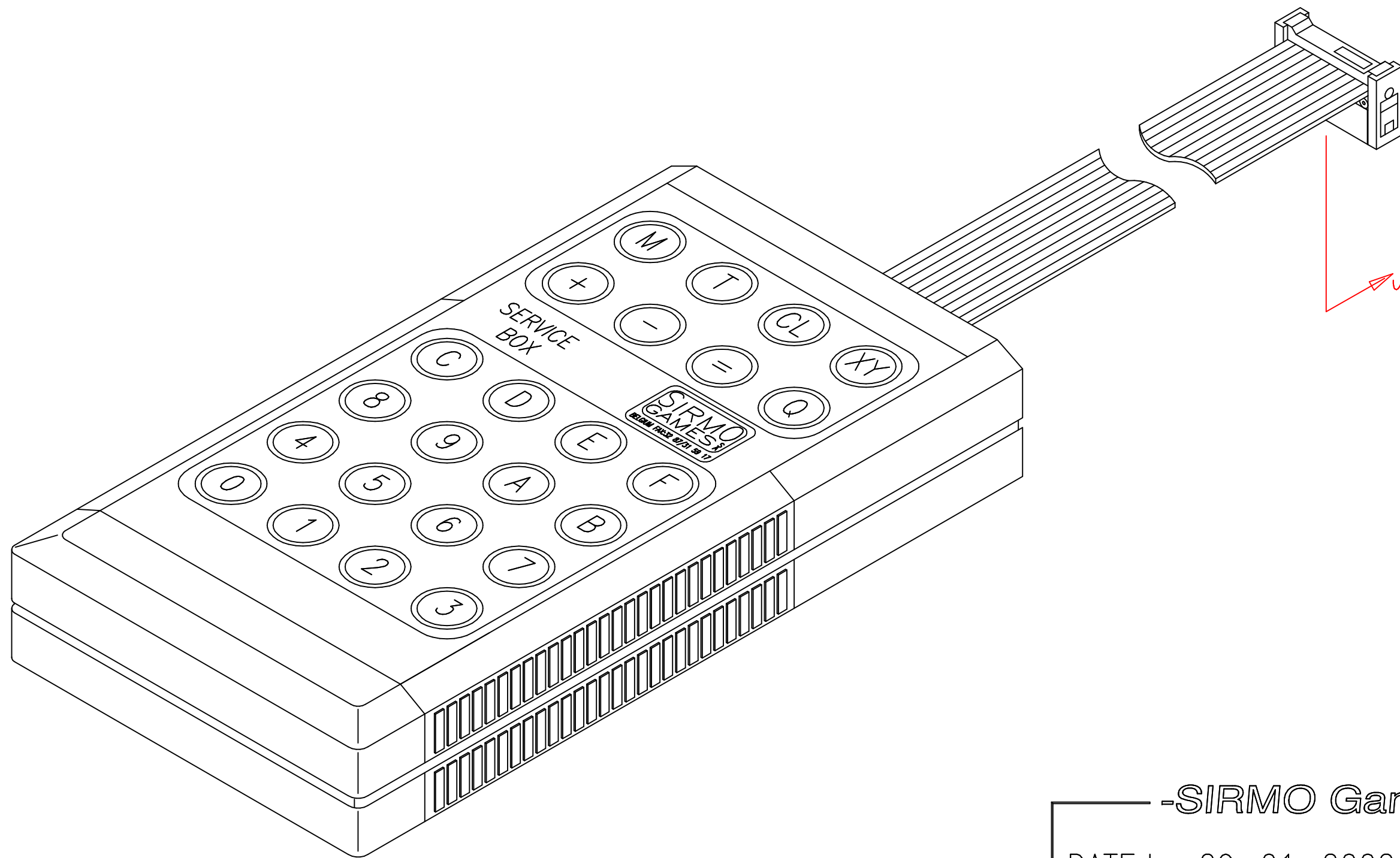


SIRMO GAMES Belgium.
 DATE: 30-07-2001.
 REFERENCE: PLAYFL 1000.
 DESCRIPTION: ASSY. PLAYFIELD.
 SHEET: 2 of 3.



N°	COMPONENTS	Qty
1	PPLA00049	1
2	PSCR00182	27
3	PSCR00061	2
4	PWAS00040	2
5	PCON00141+PCON00153	1
6	PMOT00003C	1
7	PLAM00056	1
8	PSCR00106	1
9	PMEC00054	1
10	PNUT00005	1
11	PWAS00043	1
12	PLAM00153	1
13	PMEC00039	1
14	PCIR00002	2
15	PSPR00005	1
16	PWAS00011	1
17	PWAS00002	6
18	PWAS00041	5
19	PLAM01026	1
20	PLAM00051	1
21	PCIR00004	1
22	PWAS00013	2
23	PNUT00037	5
24	PWOD00003	1
25	PSCR00095	12
26	PPLA00020	12
27	PCON00014	2
28	SPCB1020 REV2	1
29	SPCB1021	1
30	PNUT00041	2
31	PNUT00038	20
32	PPOL01000	1
33	PPCB01022	1

— SIRMO GAMES Belgium. —
 DATE: 08-05-2002.
 REFERENCE: PLAYF 1000.
 DESCRIPTION: ASSY. PLAYFIELD.
 SHEET: 3 of 3.



KEYBOARD/PCB1010

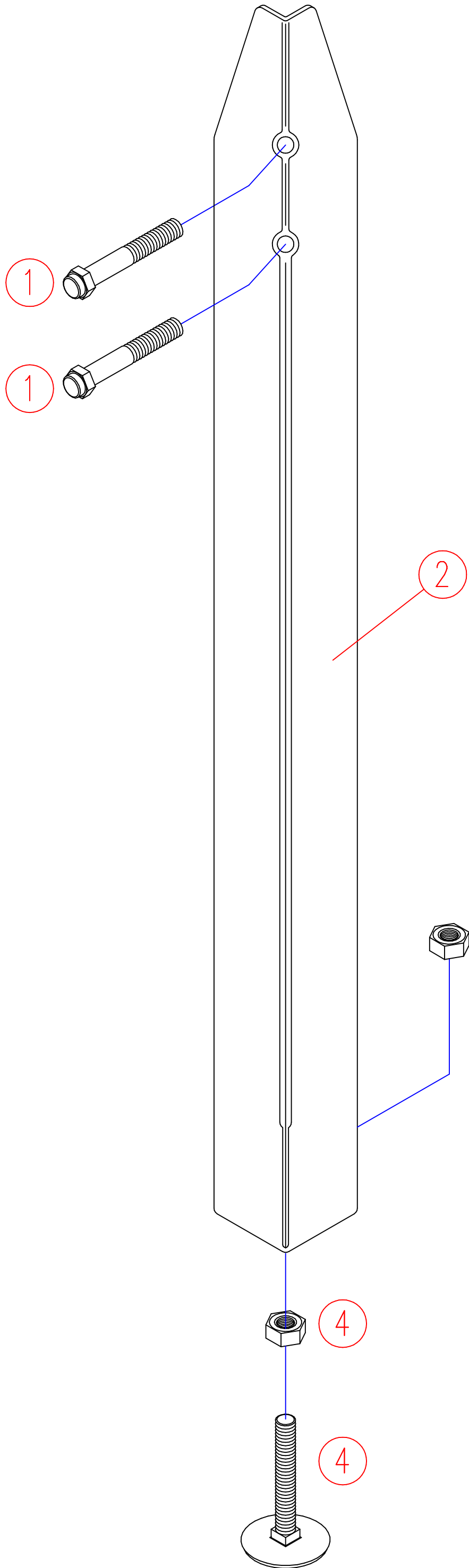
-SIRMO Games Belgium-

DATE:Le 29-01-2002.

REFERENCE: SPCB 093

DESCRIPTION: Assy KEYBOARD 093

REF.PC: A-clav1000



N°	COMPONENTS	Qty
1	PMEC00052	2
2	PLAM00114r2	1
3	PNUT00007	1
4	PMEC00051	1

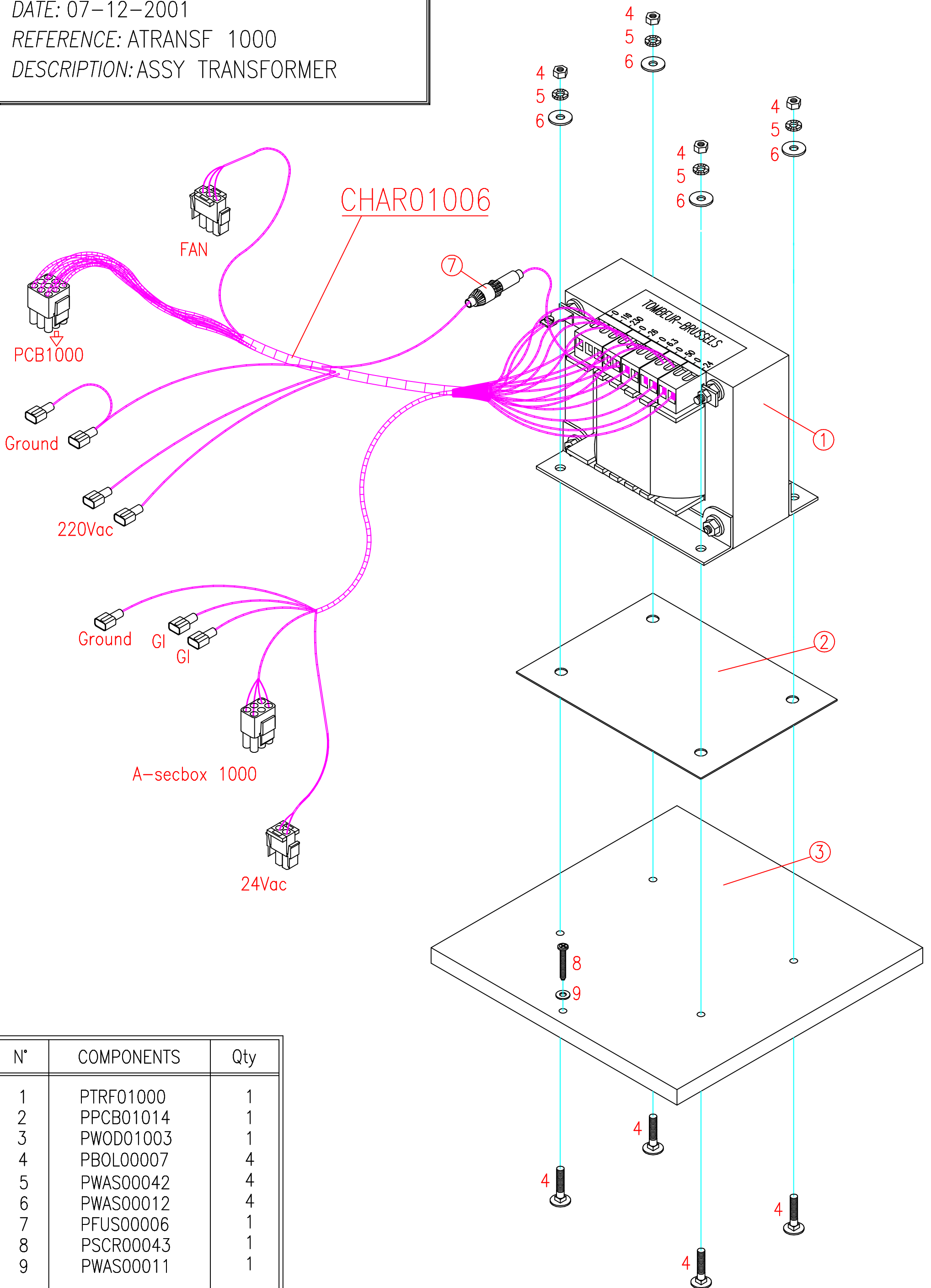
— SIRMOM GAMES Belgium. —
 DATE: 21-01-2001.
 REFERENCE: AFOT 01.
 DESCRIPTION: ASSY FOOT BODY SIRMOM.

SIRMO GAMES Belgium.

DATE: 07-12-2001

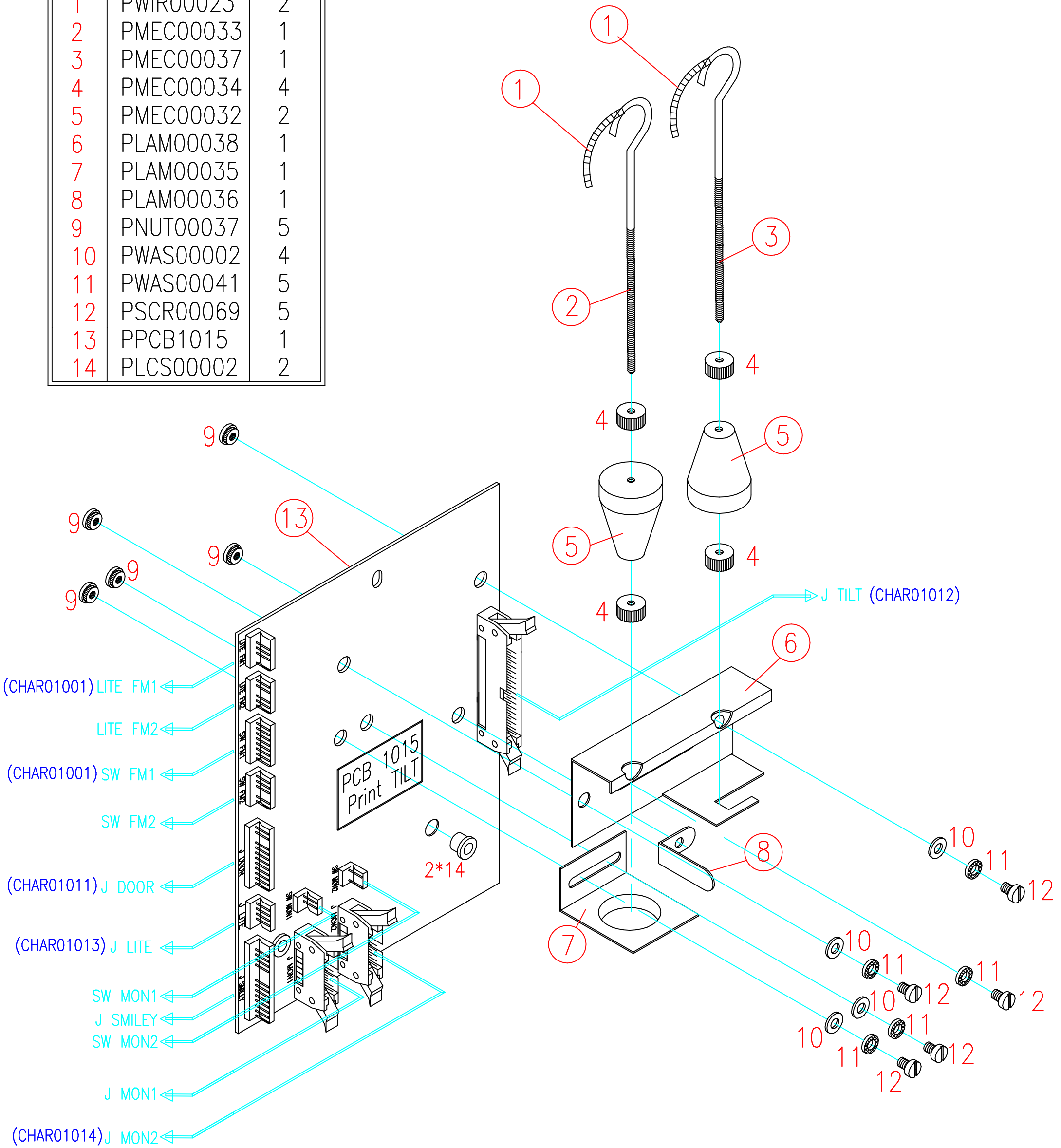
REFERENCE: ATRANSF 1000

DESCRIPTION: ASSY TRANSFORMER



N°	COMPONENTS	Qty
1	PTRF01000	1
2	PPCB01014	1
3	PWOD01003	1
4	PBOL00007	4
5	PWAS00042	4
6	PWAS00012	4
7	PFUS00006	1
8	PSCR00043	1
9	PWAS00011	1

N°	COMPONENTS	Qty
1	PWIR00023	2
2	PMEC00033	1
3	PMEC00037	1
4	PMEC00034	4
5	PMEC00032	2
6	PLAM00038	1
7	PLAM00035	1
8	PLAM00036	1
9	PNUT00037	5
10	PWAS00002	4
11	PWAS00041	5
12	PSCR00069	5
13	PPCB1015	1
14	PLCS00002	2



SIRMO GAMES Belgium.
 DATE:11-12-2001
 REFERENCE: SPCB1015
 DESCRIPTION: PCB TILT (1015) ASSY

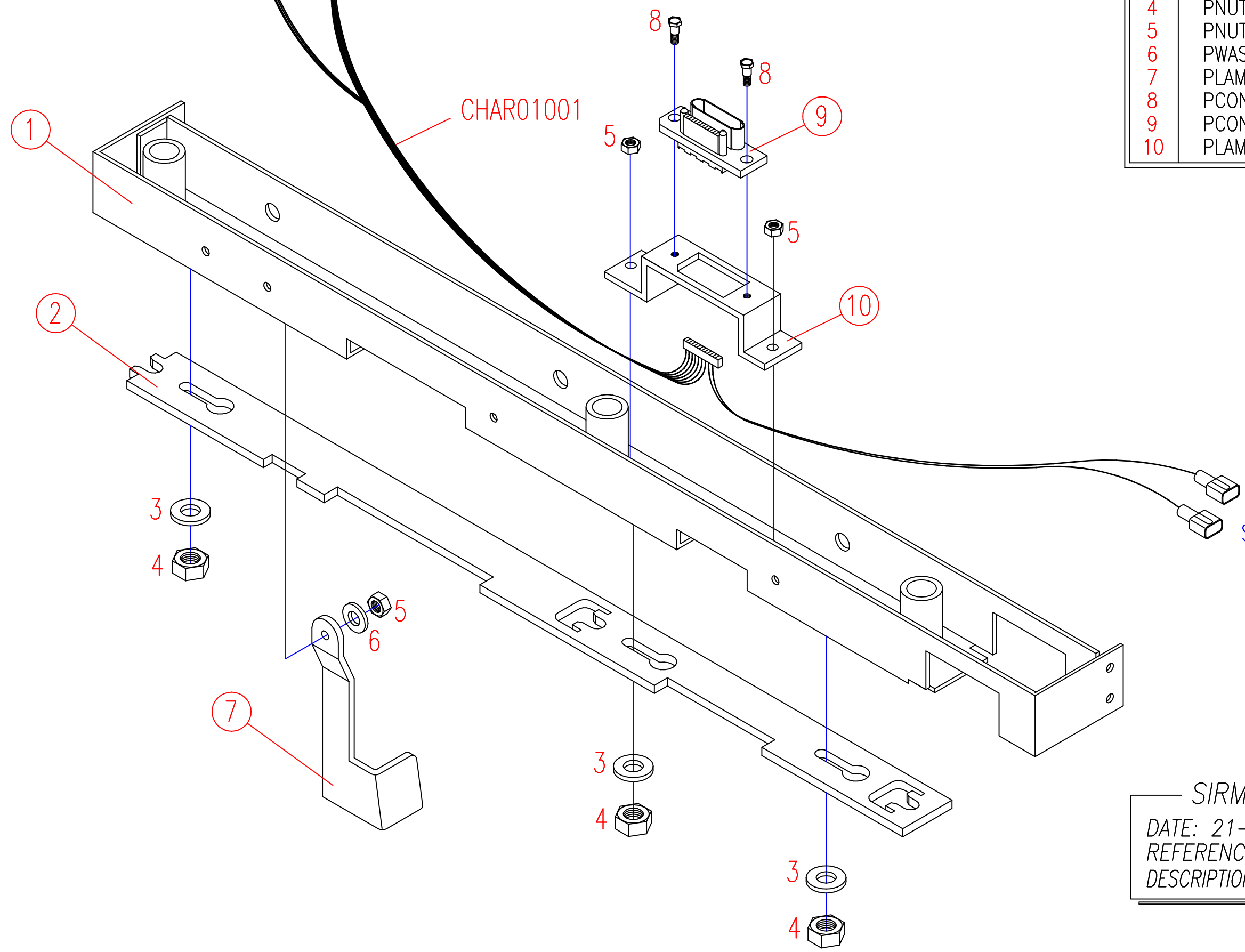
Lite FM1 (PCB1015)

SW FM1 (PCB1015)

CHAR01001

SW Man.Lifter

N°	COMPONENTS	Qty
1	PLAM01001r2	1
2	PLAM01002	1
3	PWAS00012	3
4	PNUT00022	3
5	PNUT00021	3
6	PWAS00011	1
7	PLAM01003	1
8	PCON01001	2
9	PCON01000	1
10	PLAM01004	1



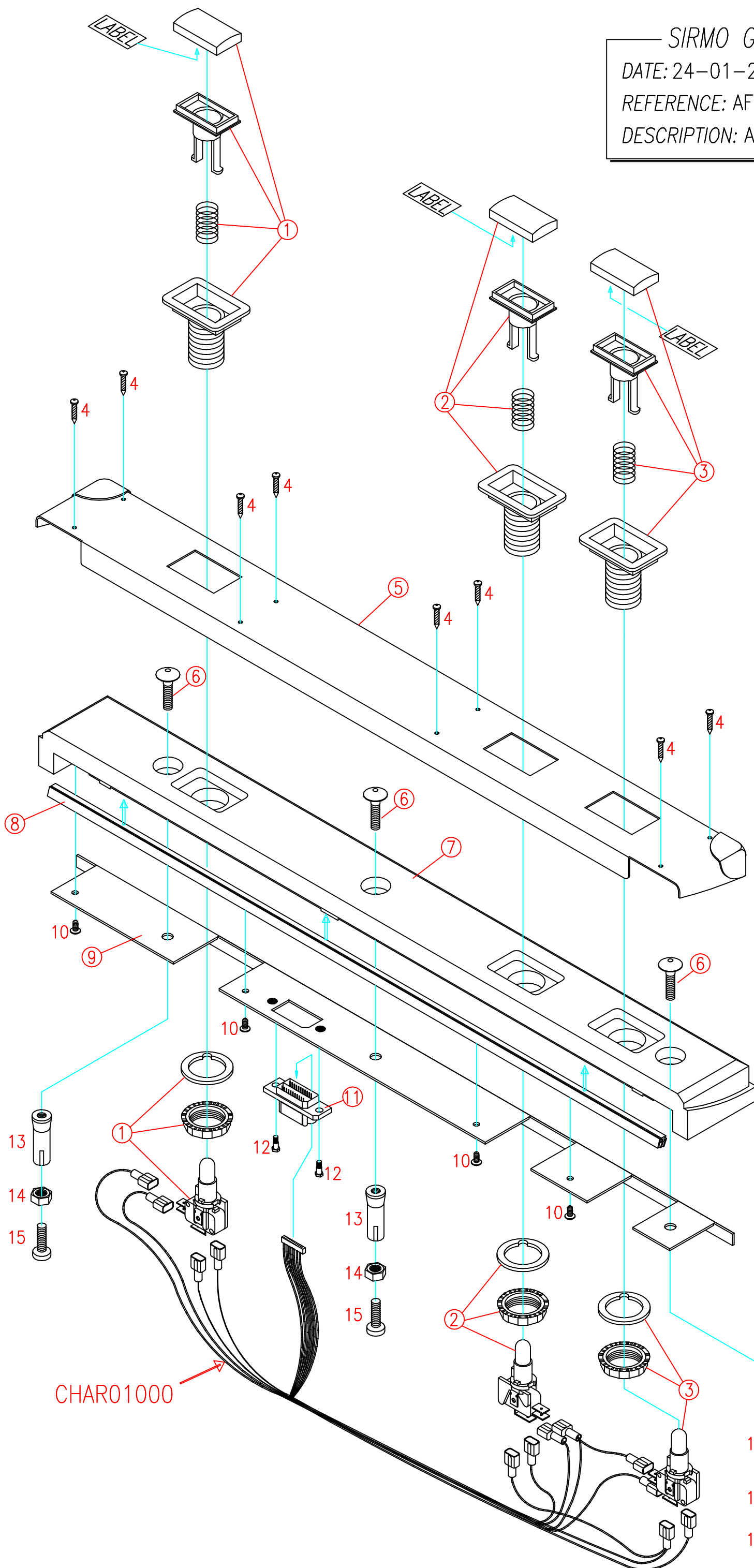
— SIRMO GAMES Belgium. —
 DATE: 21-01-2001.
 REFERENCE: ASFRMOL 1000.
 DESCRIPTION: SUB FRONT MOULDING ASSY.

SIRMO GAMES Belgium.

DATE: 24-01-2002

REFERENCE: AFR MOL 1000

DESCRIPTION: ASSEMBLY FRONT MOULDING



N°	COMPONENTS	Qty
1	PSWT00038	1
2	PSWT00039	1
3	PSWT00043	1
4	PNAI00005	8
5	PLAM01030	1
6	PBOL00015	3
7	PWOD01008	1
8	PRUB00008	51cm
9	PLAM01009	1
10	PSCR00040	4
11	PCON01000	1
12	PCON01001	2
13	PMEC01010	3
14	PNUT00005	3
15	PSCR00206	3

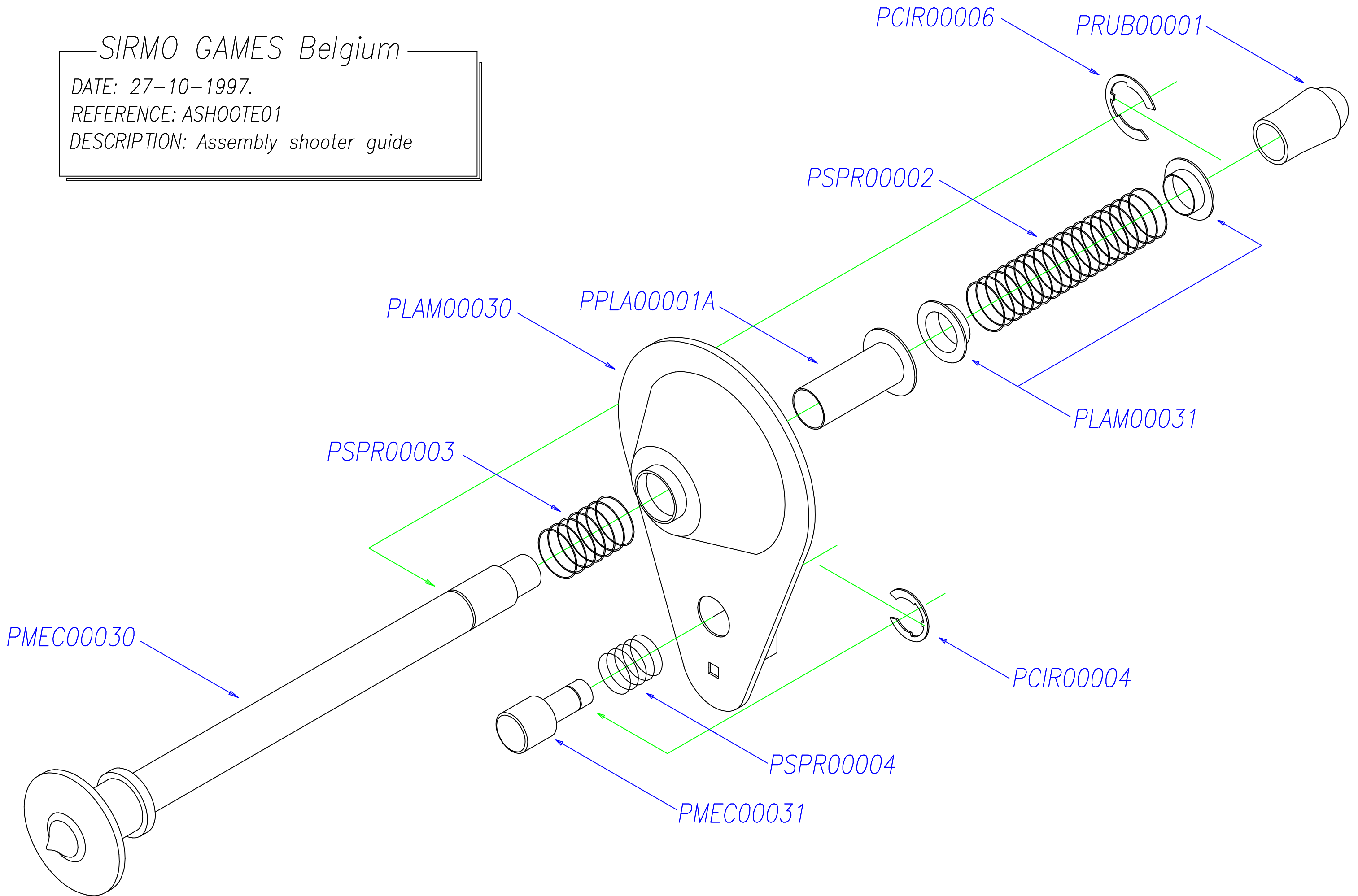
CHAR01000

SIRMO GAMES Belgium

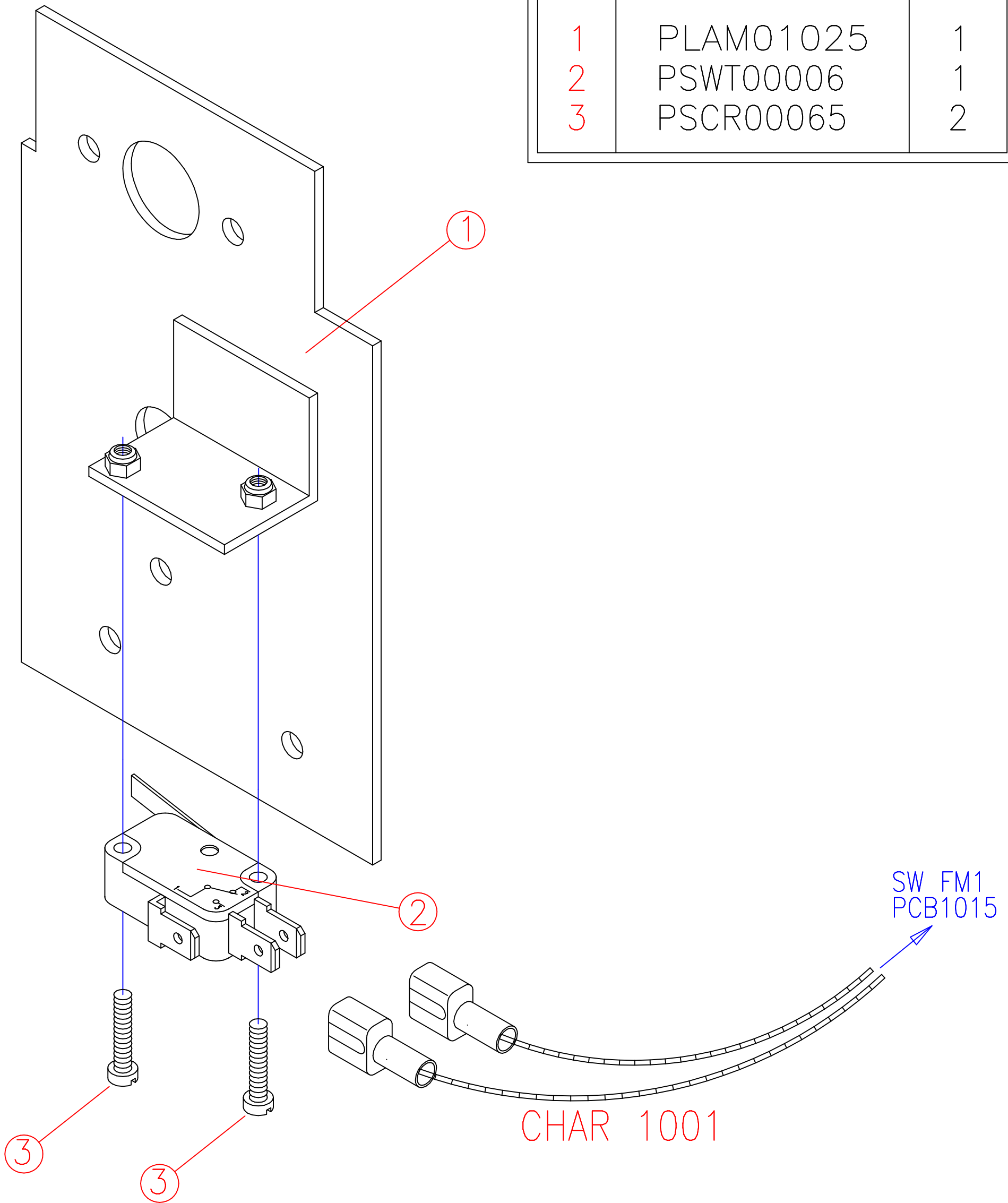
DATE: 27-10-1997.

REFERENCE: ASHOOTE01

DESCRIPTION: Assembly shooter guide

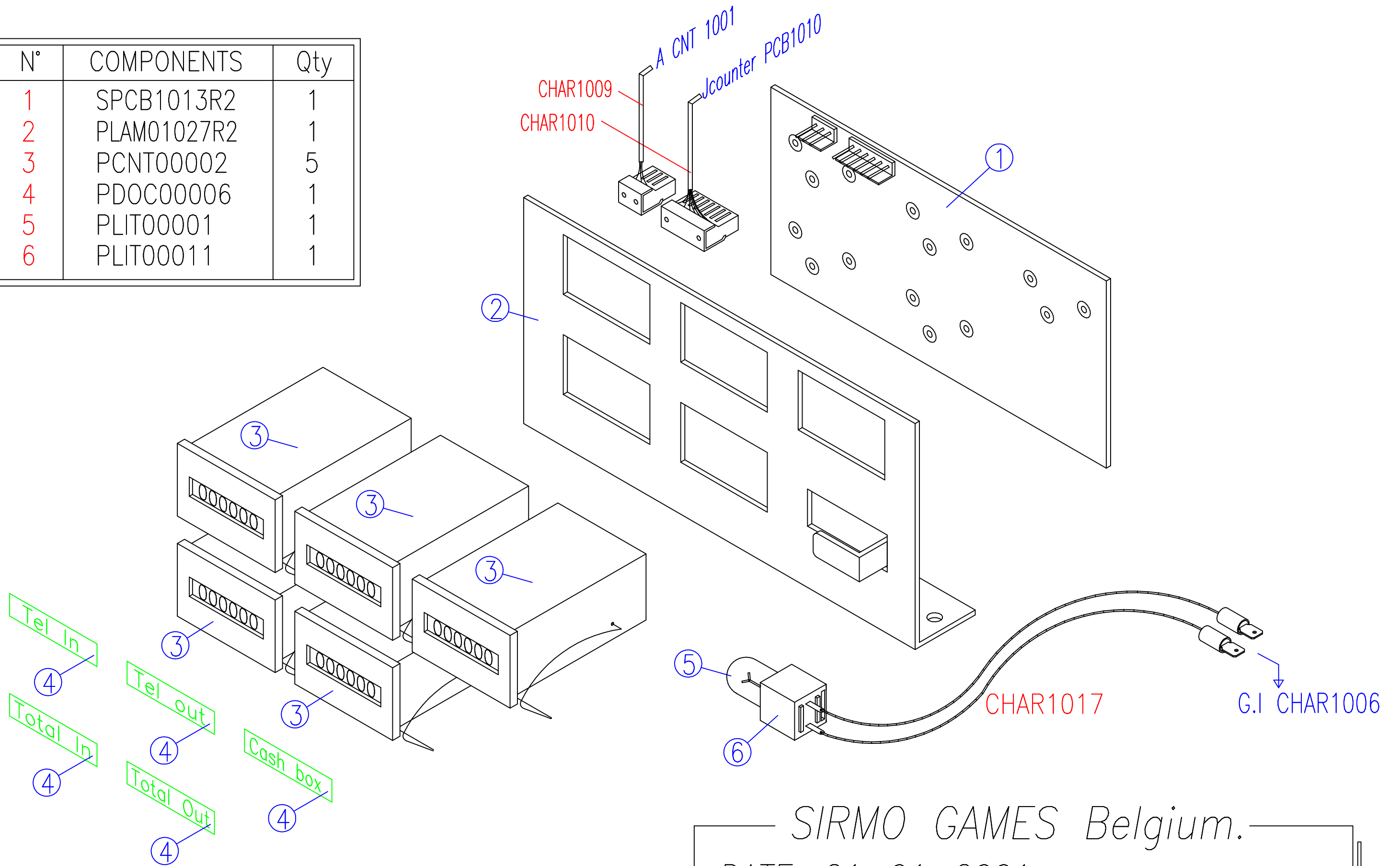


N°	COMPONENTS	Qty
1	PLAM01025	1
2	PSWT00006	1
3	PSCR00065	2



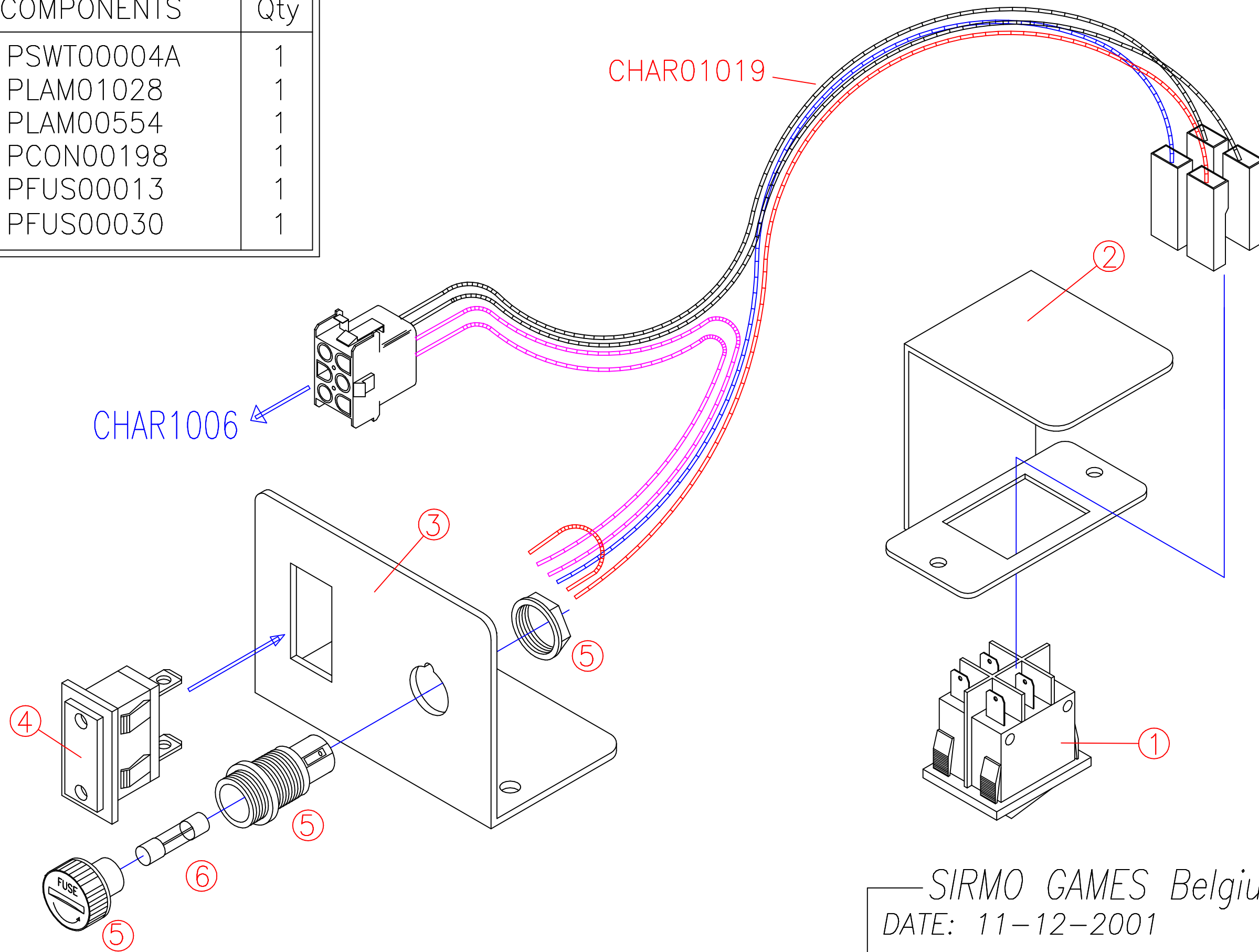
SIRMO GAMES Belgium.
 DATE: 21-01-2002.
 REFERENCE: AMAN LIF 1000
 DESCRIPTION: ASSY MANLIFT.

N°	COMPONENTS	Qty
1	SPCB1013R2	1
2	PLAM01027R2	1
3	PCNT00002	5
4	PDOC00006	1
5	PLIT00001	1
6	PLIT00011	1

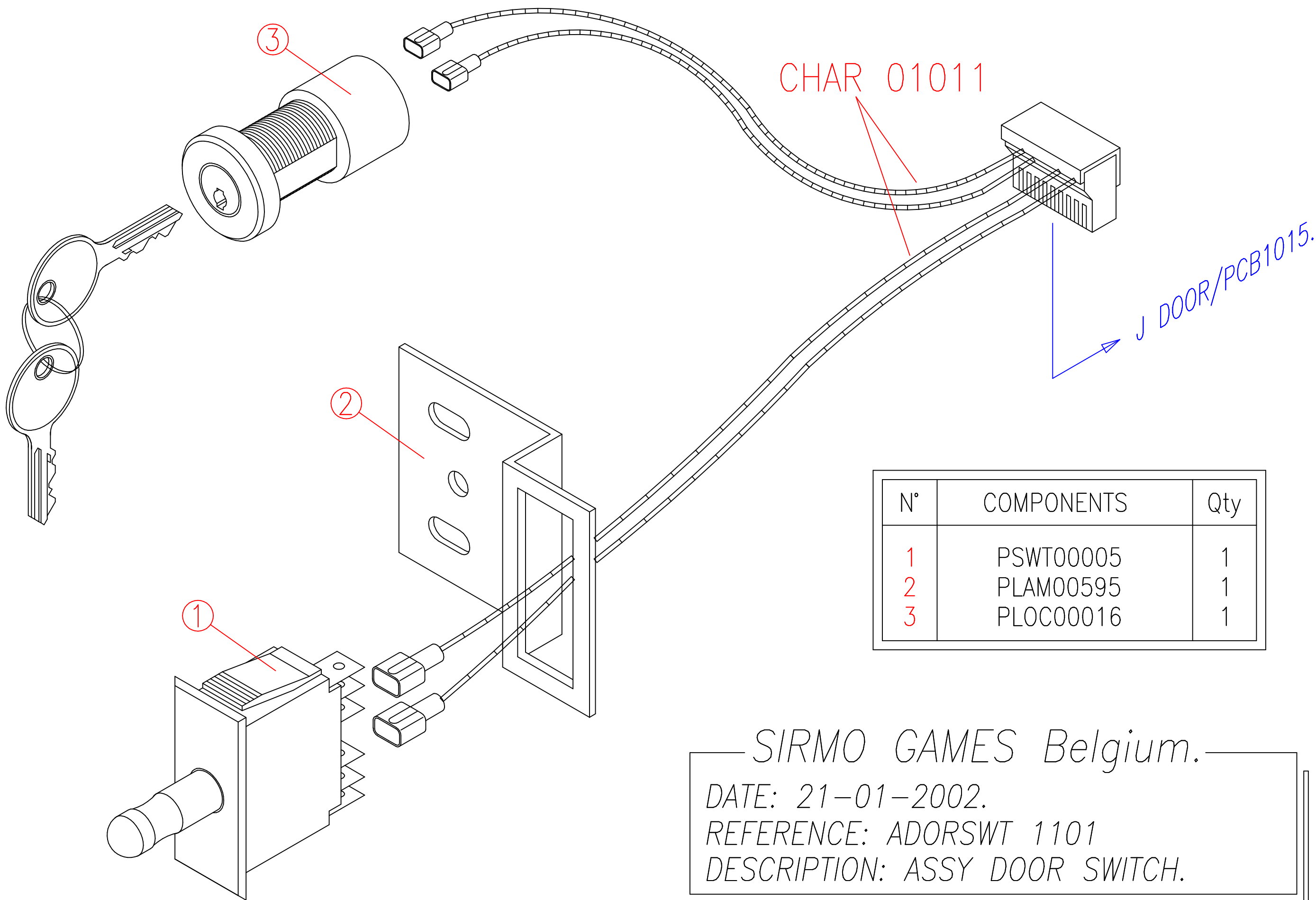


SIRMO GAMES Belgium.
 DATE: 21-01-2001.
 REFERENCE: ACNT 01000.
 DESCRIPTION: ASSEMBLY COUNTER.

N°	COMPONENTS	Qty
1	PSWT00004A	1
2	PLAM01028	1
3	PLAM00554	1
4	PCON00198	1
5	PFUS00013	1
6	PFUS00030	1

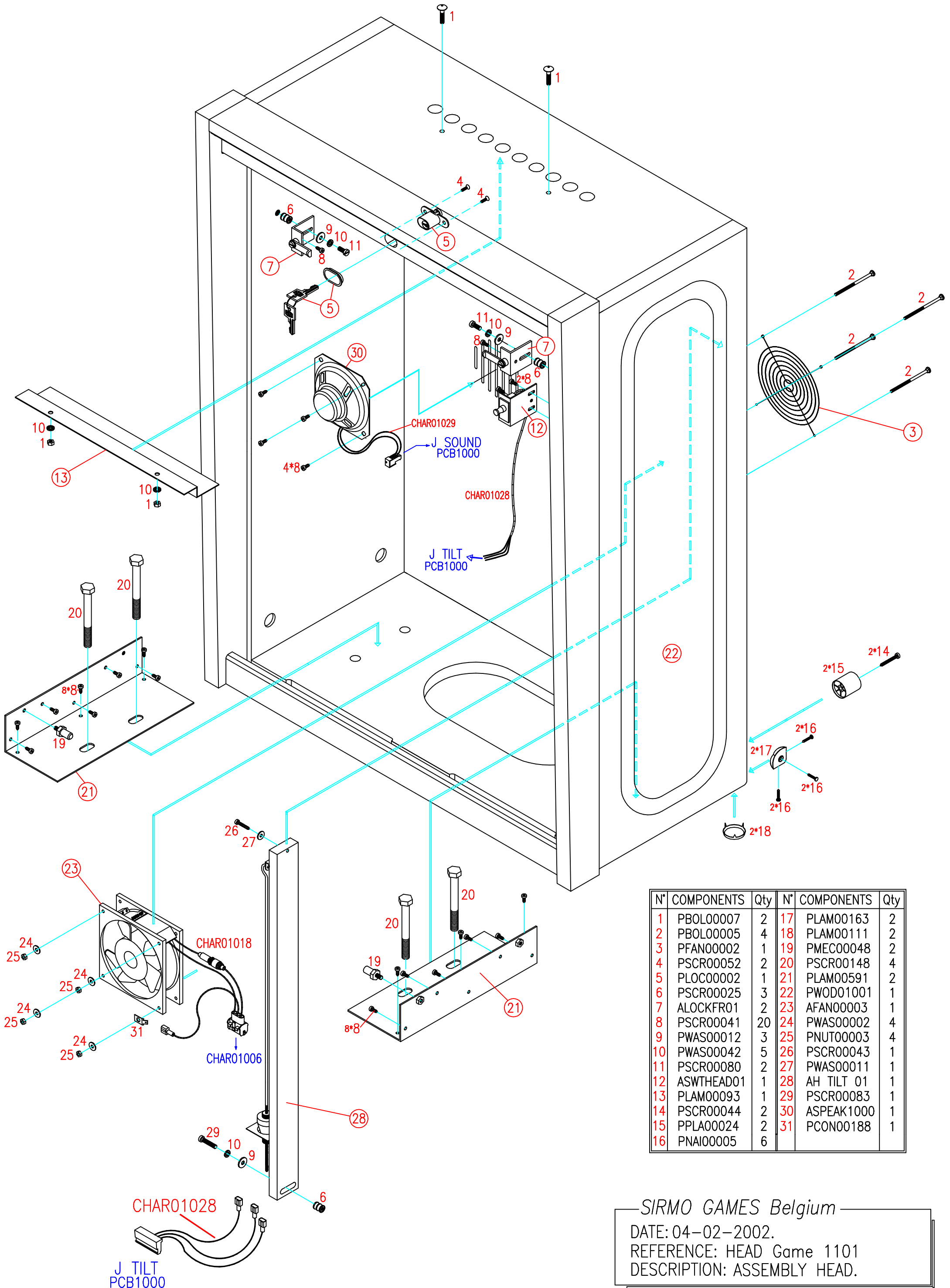


SIRMO GAMES Belgium.
 DATE: 11-12-2001
 REFERENCE: ASECBOX 1000.
 DESCRIPTION: SECTOR BOX (LOW BODY)



N°	COMPONENTS	Qty
1	PSWT00005	1
2	PLAM00595	1
3	PLOC00016	1

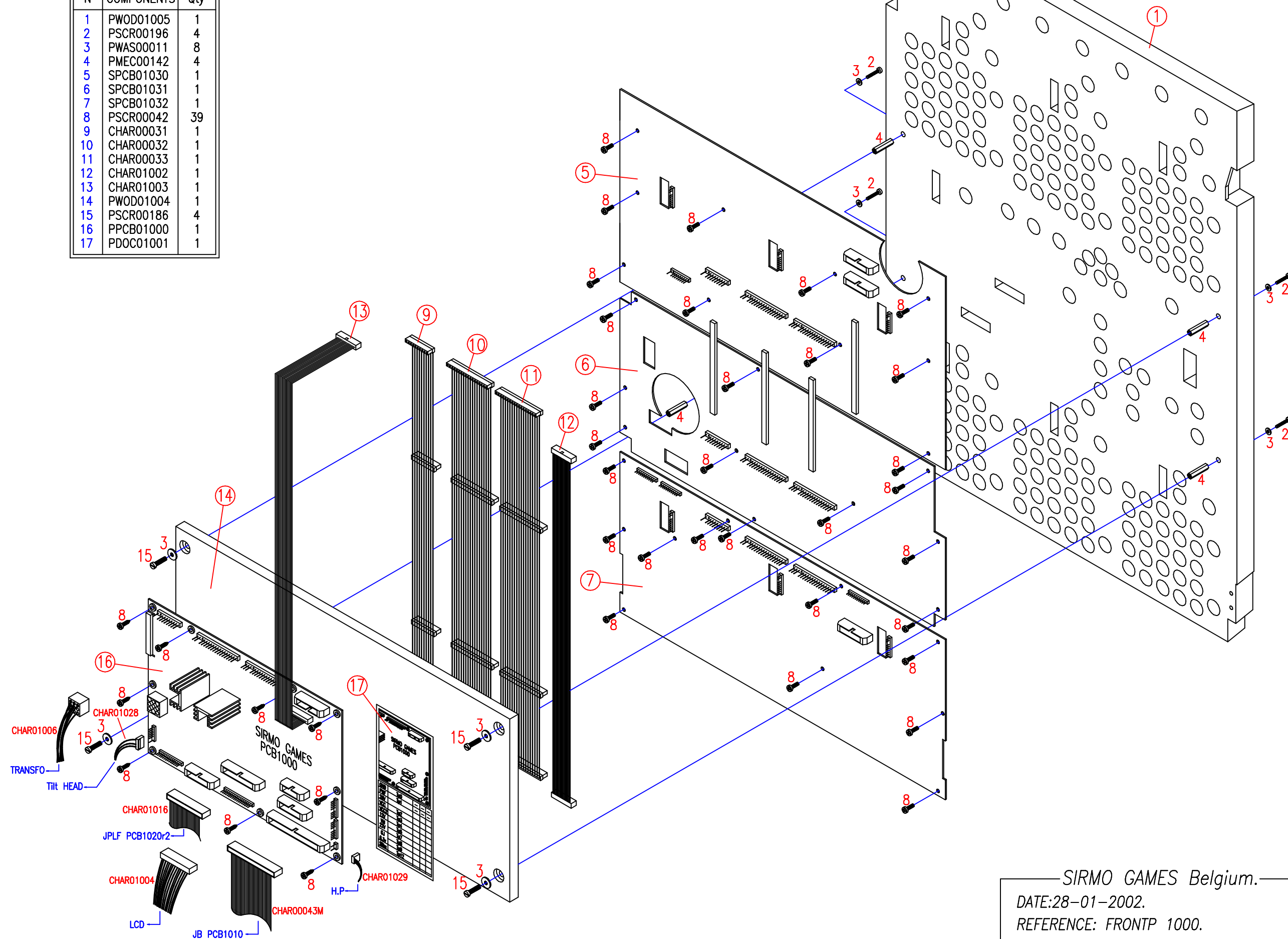
SIRMO GAMES Belgium.
 DATE: 21-01-2002.
 REFERENCE: ADORSWT 1101
 DESCRIPTION: ASSY DOOR SWITCH.



N°	COMPONENTS	Qty	N°	COMPONENTS	Qty
1	PBOL00007	2	17	PLAM00163	2
2	PBOL00005	4	18	PLAM00111	2
3	PFAN00002	1	19	PMEC00048	2
4	PSCR00052	2	20	PSCR00148	4
5	PLOC00002	1	21	PLAM00591	2
6	PSCR00025	3	22	PWOD01001	1
7	ALOCKFR01	2	23	AFAN00003	1
8	PSCR00041	20	24	PWAS00002	4
9	PWAS00012	3	25	PNU00003	4
10	PWAS00042	5	26	PSCR00043	1
11	PSCR00080	2	27	PWAS00011	1
12	ASWTHEAD01	1	28	AH TILT 01	1
13	PLAM00093	1	29	PSCR00083	1
14	PSCR00044	2	30	ASPEAK1000	1
15	PPLA00024	2	31	PCON00188	1
16	PNAI00005	6			

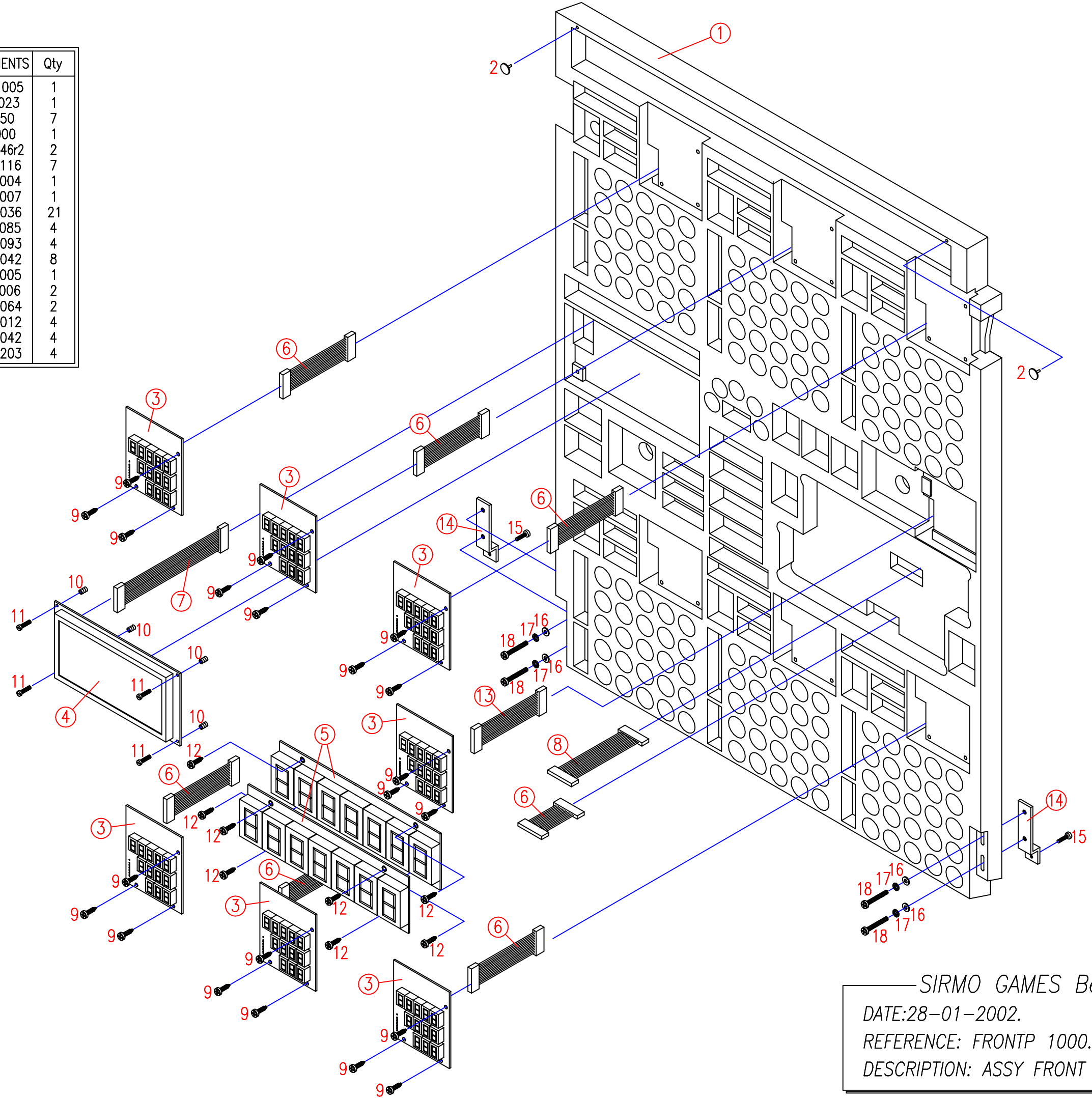
—SIRMO GAMES Belgium—
 DATE: 04-02-2002.
 REFERENCE: HEAD Game 1101
 DESCRIPTION: ASSEMBLY HEAD.

N°	COMPONENTS	Qty
1	PWOD01005	1
2	PSCR00196	4
3	PWAS00011	8
4	PMEC00142	4
5	SPCB01030	1
6	SPCB01031	1
7	SPCB01032	1
8	PSCR00042	39
9	CHAR00031	1
10	CHAR00032	1
11	CHAR00033	1
12	CHAR01002	1
13	CHAR01003	1
14	PWOD01004	1
15	PSCR00186	4
16	PPCB01000	1
17	PDOC01001	1

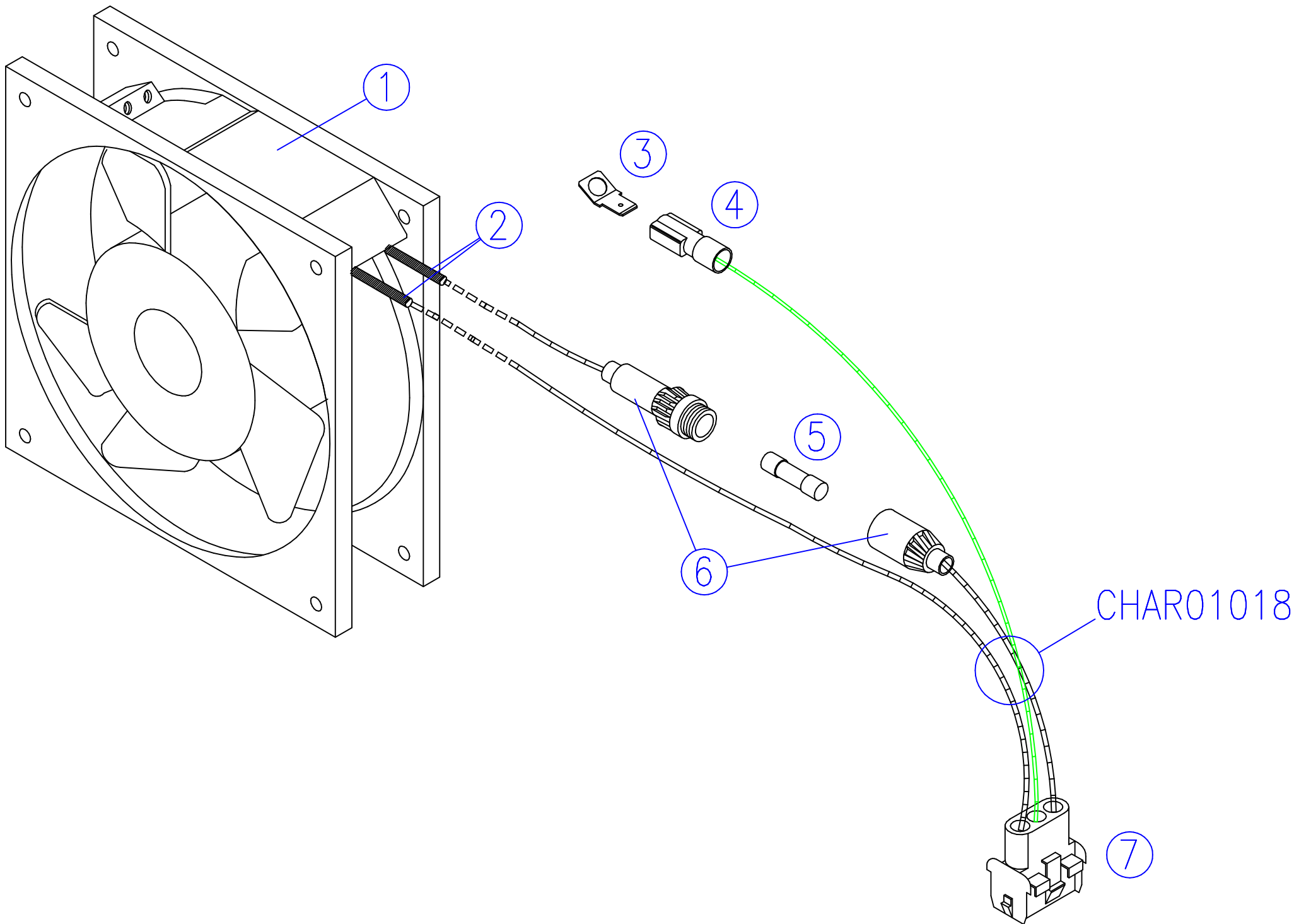


—SIRMO GAMES Belgium.—
 DATE:28-01-2002.
 REFERENCE: FRONTP 1000.
 DESCRIPTION: ASSY FRONT PANEL. SHEET: 1 of 2.

N°	COMPONENTS	Qty
1	PWOD01005	1
2	PPLA00023	1
3	SPCB1050	7
4	ADIS01000	1
5	SPCB00546r2	2
6	CHAR00116	7
7	CHAR01004	1
8	CHAR01007	1
9	PSCR00036	21
10	PNUT00085	4
11	PSCR00093	4
12	PSCR00042	8
13	CHAR01005	1
14	PLAM01006	2
15	PSCR00064	2
16	PWAS00012	4
17	PWAS00042	4
18	PSCR00203	4



—SIRMO GAMES Belgium.—
 DATE:28-01-2002.
 REFERENCE: FRONTP 1000.
 DESCRIPTION: ASSY FRONT PANEL. SHEET: 2 of 2.



N°	COMPONENTS	QTY
1	PFAN 00001	1
2	PPLA 00065	2
3	PCON 00188	1
4	PCON 00190	1
5	PFUS 00007	1
6	PFUS 00006	1
7	PCON 00102	1

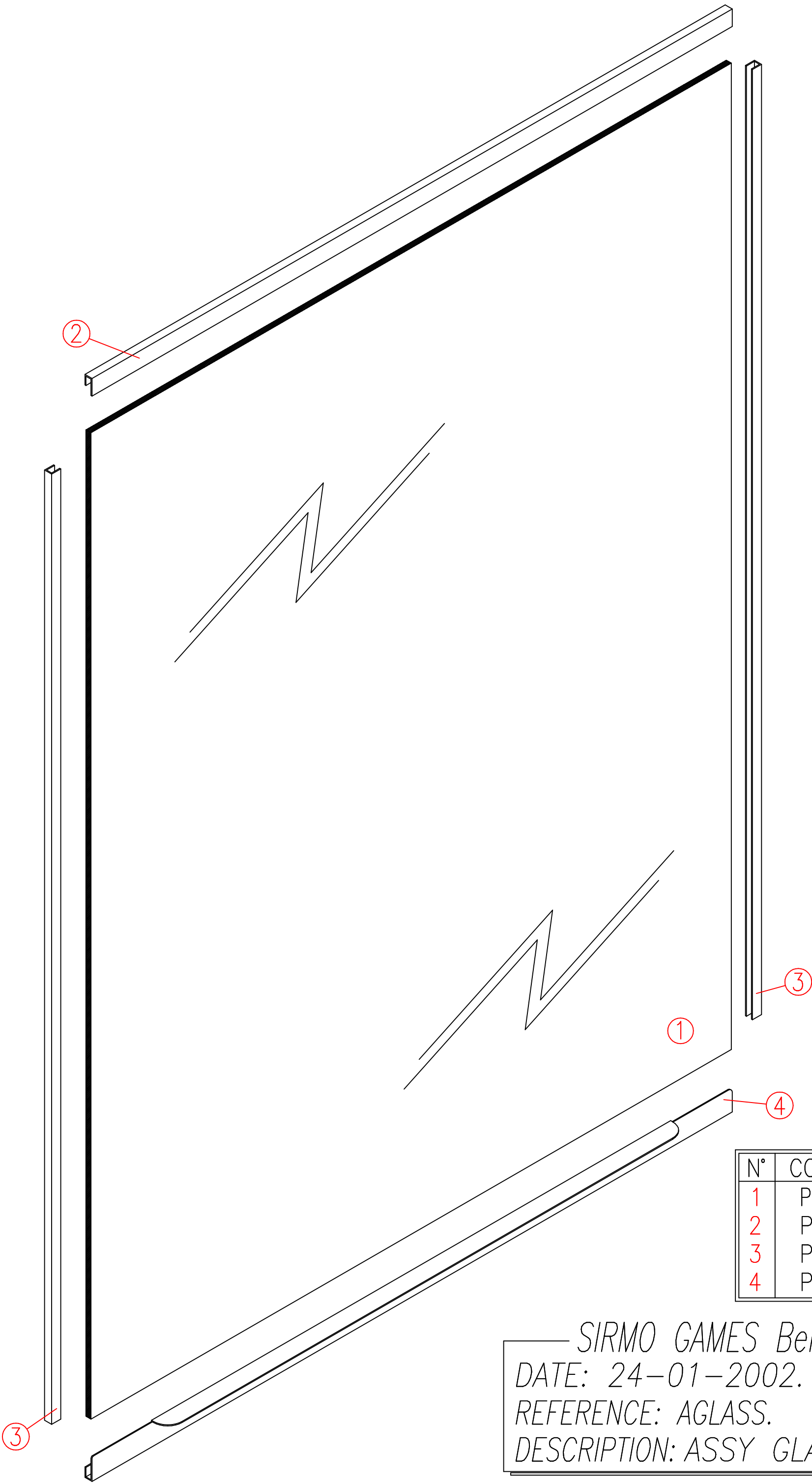
-SIRMO Games Belgium-

DATE:Le 05-02-2002.

REFERENCE:AFAN 01000

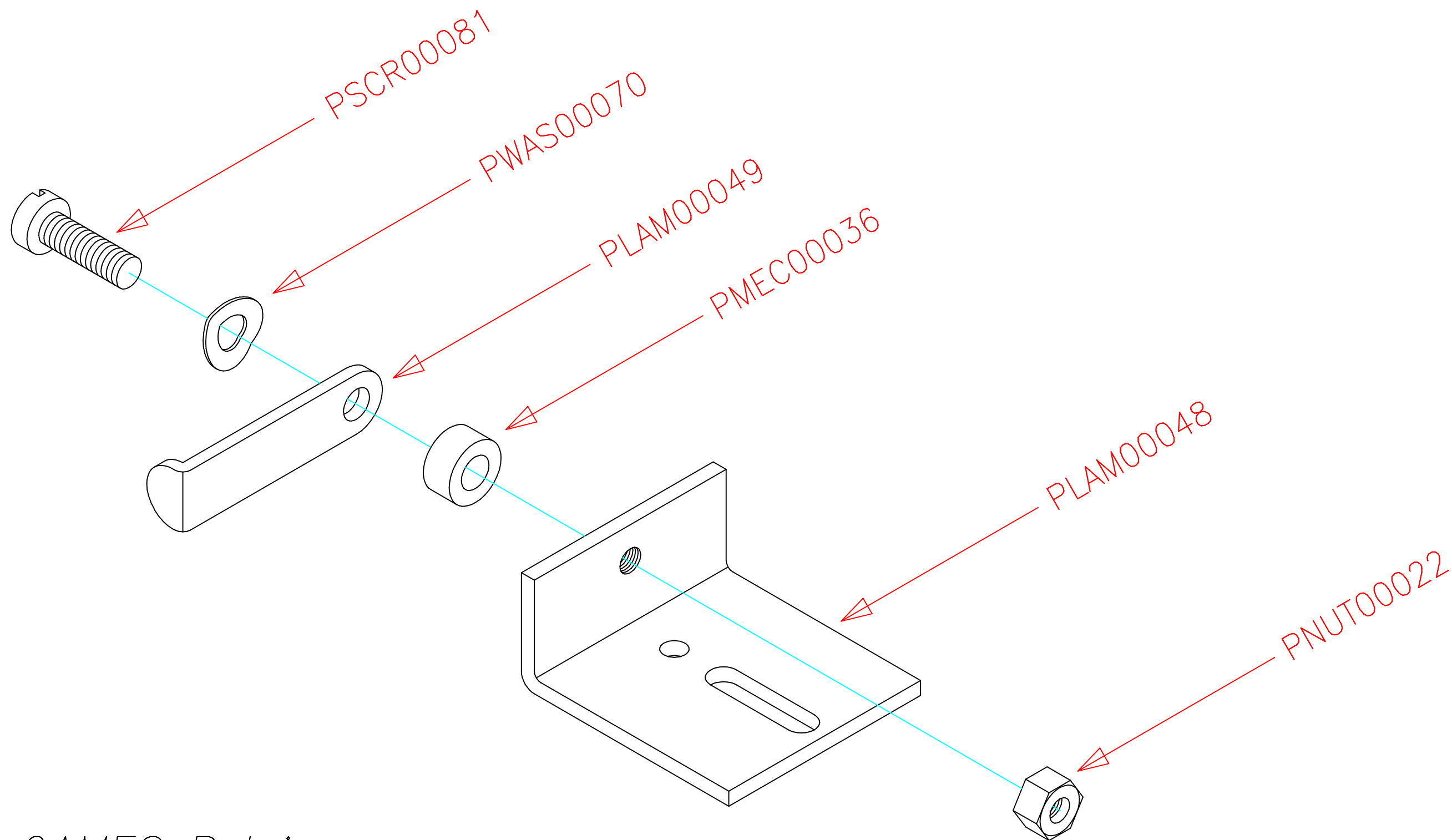
DESCRIPTION:Assembly FAN 220Vac.

REF.PC:A:FAN01101



N°	COMPONENTS	Qty
1	PGLA-----	1
2	PLAM00115	1
3	PLAM00116	2
4	PLAM01007	1

— SIRMO GAMES Belgium. —
 DATE: 24-01-2002.
 REFERENCE: AGLASS.
 DESCRIPTION: ASSY GLASS.



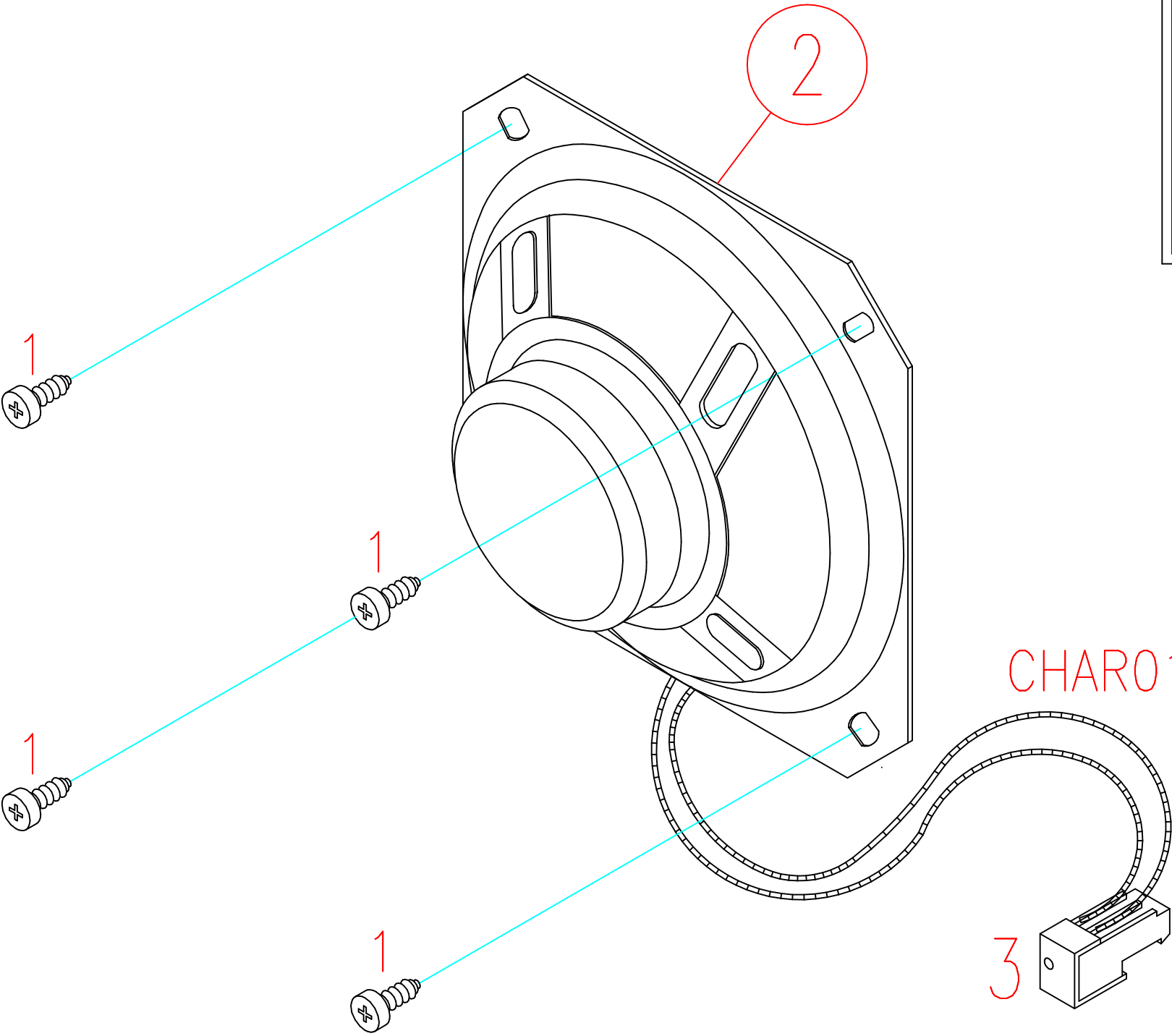
SIRMO GAMES Belgium

DATE: 01-07-1997

REFERENCE: ALOCKFR 01

DESCRIPTION: ASSEMBLY LOCK FRONT PANNEL

N°	COMPONENTS	Qty
1	PSCR 00041	4
2	PLSP 00001	1
3	PCON00269+PCON00353	1



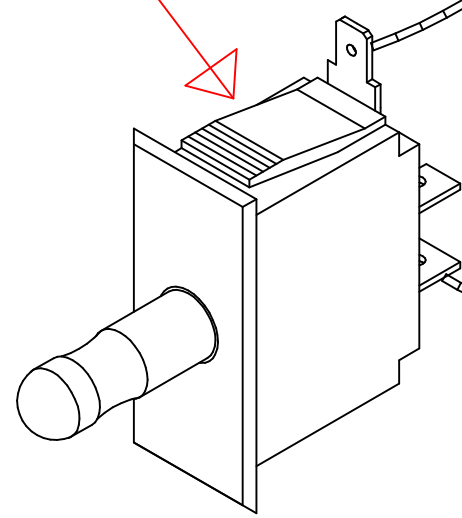
CHAR01029

J SOUND (PCB1000)

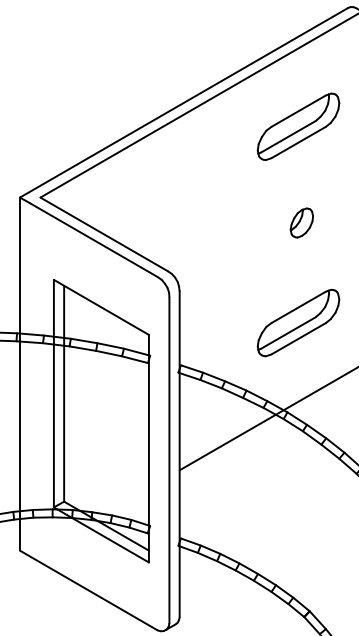
3

SIRMO GAMES Belgium.
 DATE: 29-01-2002
 REFERENCE: ASPEAK 1000.
 DESCRIPTION: ASSY LOUDSPEAKER.

PSWT00005



PLAM00206



CHAR01028



JTilt PCB1000



SIRMO GAMES Belgium

DATE: 24-01-2002

REFERENCE: ASWTHEAD02

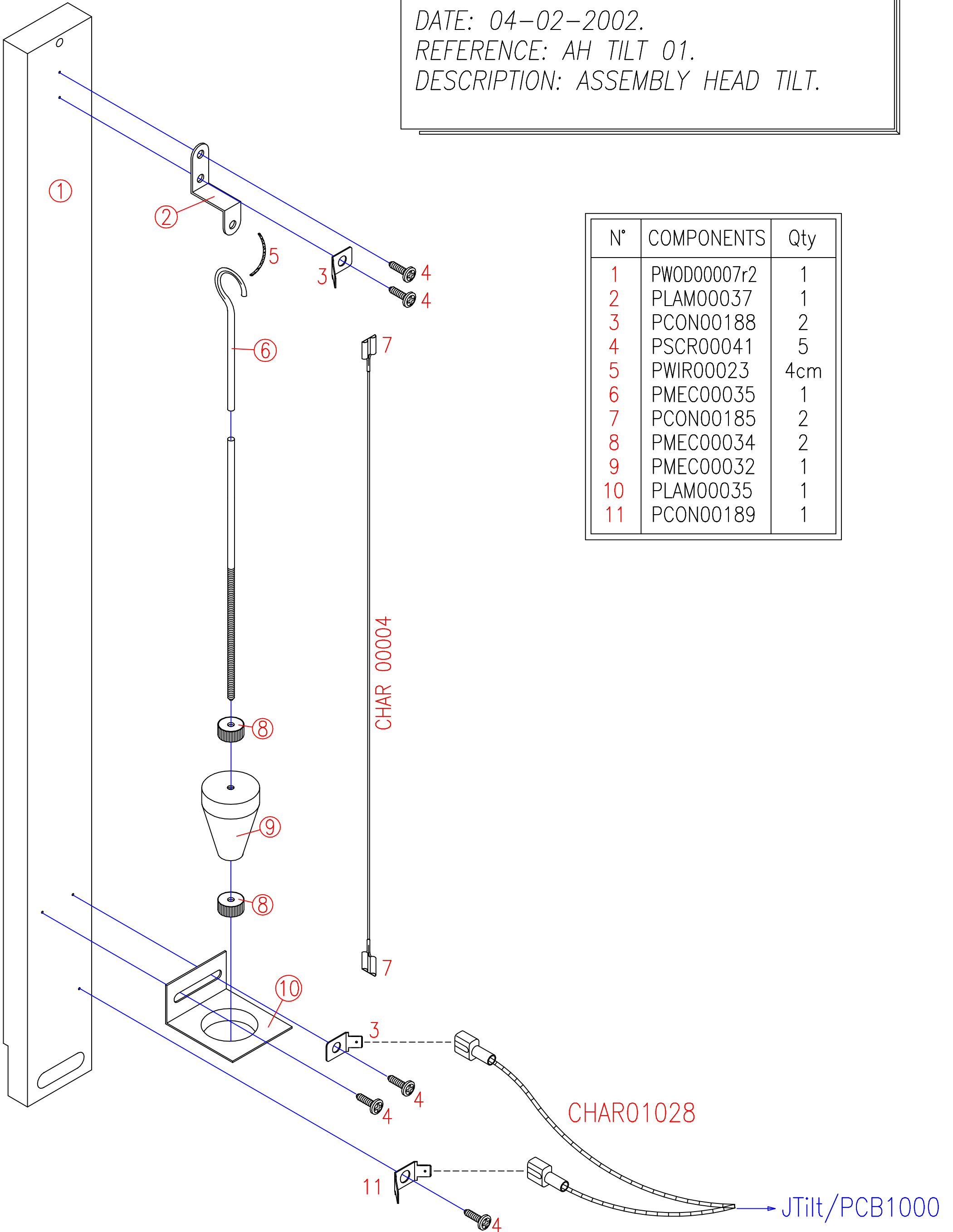
DESCRIPTION: ASSEMBLY HEAD SWITCH

SIRMO GAMES Belgium

DATE: 04-02-2002.

REFERENCE: AH TILT 01.

DESCRIPTION: ASSEMBLY HEAD TILT.



N°	COMPONENTS	Qty
1	PWOD00007r2	1
2	PLAM00037	1
3	PCON00188	2
4	PSCR00041	5
5	PWIR00023	4cm
6	PMEC00035	1
7	PCON00185	2
8	PMEC00034	2
9	PMEC00032	1
10	PLAM00035	1
11	PCON00189	1

CHAR 00004

CHAR01028

JTilt/PCB1000