

# Magiic Screen

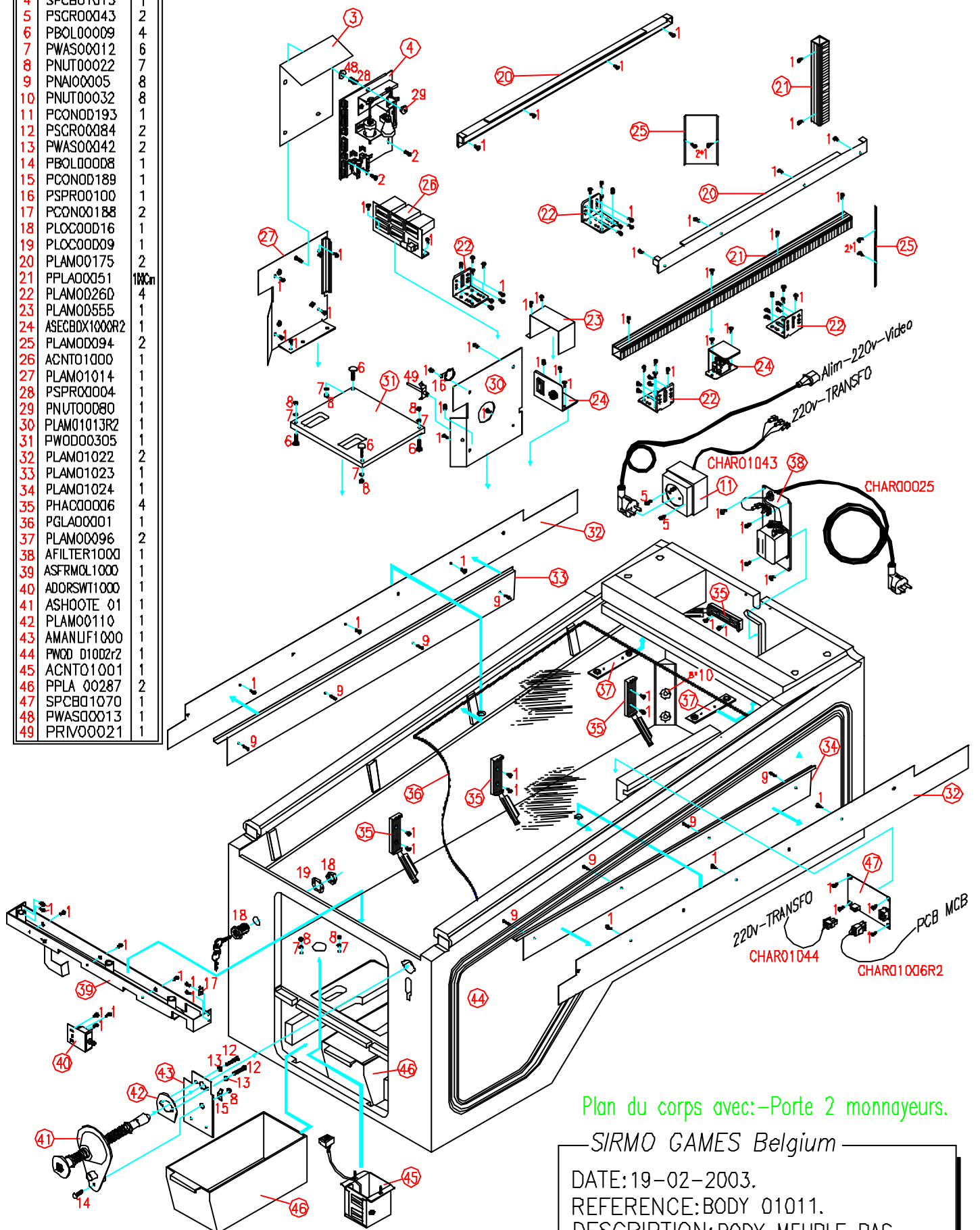
-September 2002-

**-PARTS CATALOG-**

-PDOC 01704-



N°	COMPONENTS	Qty
1	PSCRO0041	124
2	PSCRO0072	2
3	PPLA01015	1
4	SPCB01015	1
5	PSCRO0043	2
6	PBOL00009	4
7	PWAS00012	6
8	PNUT00022	7
9	PNAI00005	8
10	PNUT00032	8
11	PCONDD193	1
12	PSCRO0084	2
13	PWAS00042	2
14	PBOL00008	1
15	PCONDD189	1
16	PSPRO0100	1
17	PCONDD188	2
18	PLOCCDD16	1
19	PLOCCDD09	1
20	PLAM00175	2
21	PPLA00051	1
22	PLAM0026D	4
23	PLAM00555	1
24	ASECBOX1000R2	1
25	PLAM00094	2
26	ACNT01000	1
27	PLAM01014	1
28	PSPRO0004	1
29	PNUT00080	1
30	PLAM01013R2	1
31	PWOD00305	1
32	PLAM01022	2
33	PLAM01023	1
34	PLAM01024	1
35	PHAC00006	4
36	PGLA00001	1
37	PLAM00096	2
38	AFILTER1000	1
39	ASFRMOL1000	1
40	ADORSWT1000	1
41	ASHOOTE 01	1
42	PLAM00110	1
43	AMANLIF1000	1
44	PWCD D1002r2	1
45	ACNT01001	1
46	PPLA 00287	2
47	SPCB01070	1
48	PWAS00013	1
49	PRIV00021	1



Plan du corps avec: -Porte 2 monnayeurs.

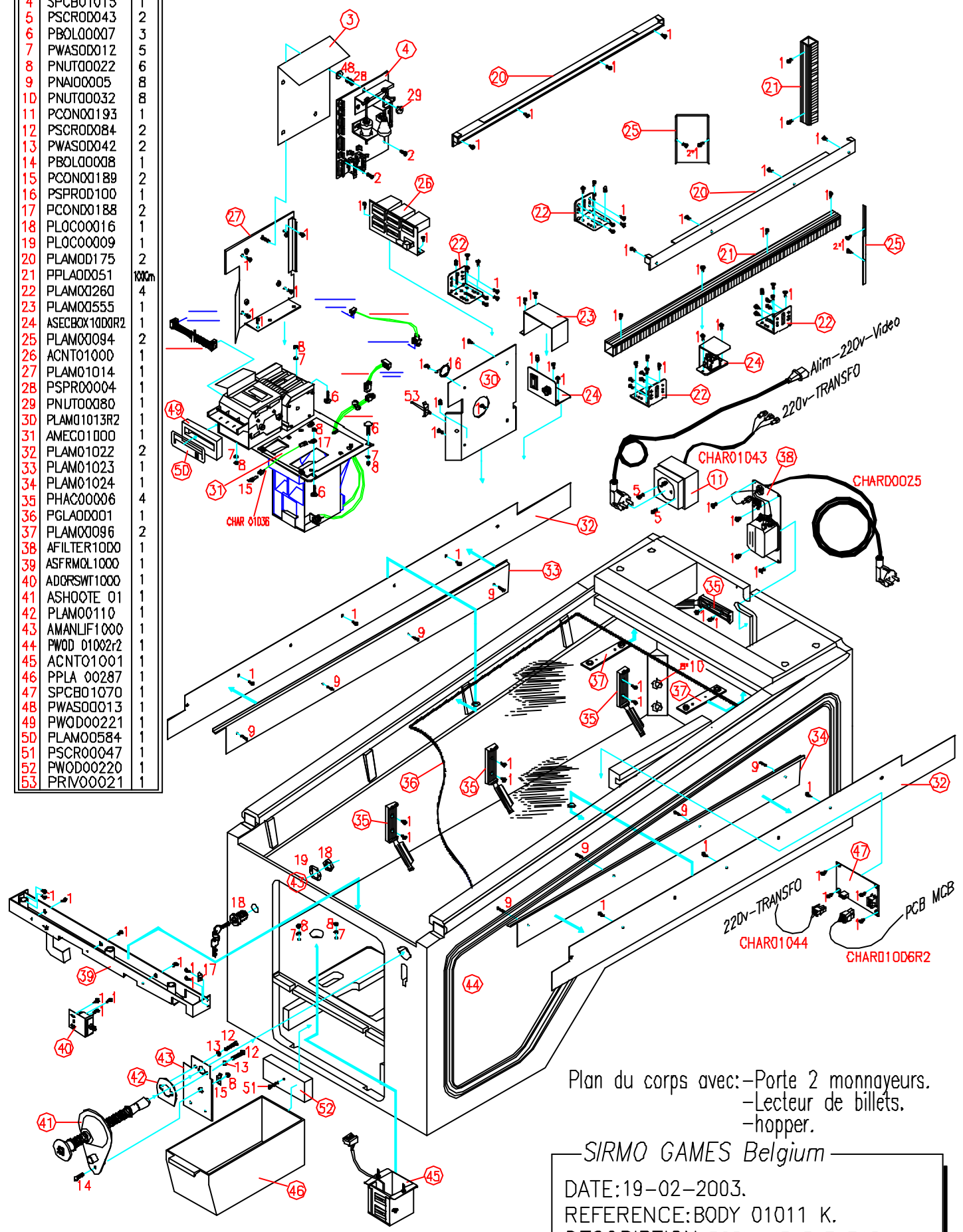
SIRMO GAMES Belgium

DATE:19-02-2003.

REFERENCE:BODY 01011.

DESCRIPTION:BODY MEUBLE BAS.

N°	COMPONENTS	Qty
1	PSCRO0041	125
2	PSCRO0072	2
3	PPLA01015	1
4	SPCB01015	1
5	PSCRO0043	2
6	PBOL00007	3
7	PWASO0012	5
8	PNUTO0022	6
9	PNAI00005	8
10	PNUTO0032	8
11	PCON00193	1
12	PSCRO0084	2
13	PWASO0042	2
14	PBOL00008	1
15	PCON00189	2
16	PSPRO0100	1
17	PCON00188	2
18	PLOCO0016	1
19	PLOCO0009	1
20	PLAM0175	2
21	PPLA00051	100cm
22	PLAM00260	4
23	PLAM00555	1
24	ASECBOX1000R2	1
25	PLAM00094	2
26	ACNT01000	1
27	PLAM01014	1
28	PSPRO0004	1
29	PNUTO00080	1
30	PLAM01013R2	1
31	AMEGO1000	1
32	PLAM01022	2
33	PLAM01023	1
34	PLAM01024	1
35	PHAC00006	4
36	PGLA00001	1
37	PLAM00096	2
38	AFILTER1000	1
39	ASFRMQL1000	1
40	ADGRSWT1000	1
41	ASHOOTE 01	1
42	PLAM00110	1
43	AMANLIF1000	1
44	PWOD 01002r2	1
45	ACNT01001	1
46	PPLA 00287	1
47	SPCB01070	1
48	PWASO0013	1
49	PWOD00221	1
50	PLAM00584	1
51	PSCRO0047	1
52	PWOD00220	1
53	PRV00021	1

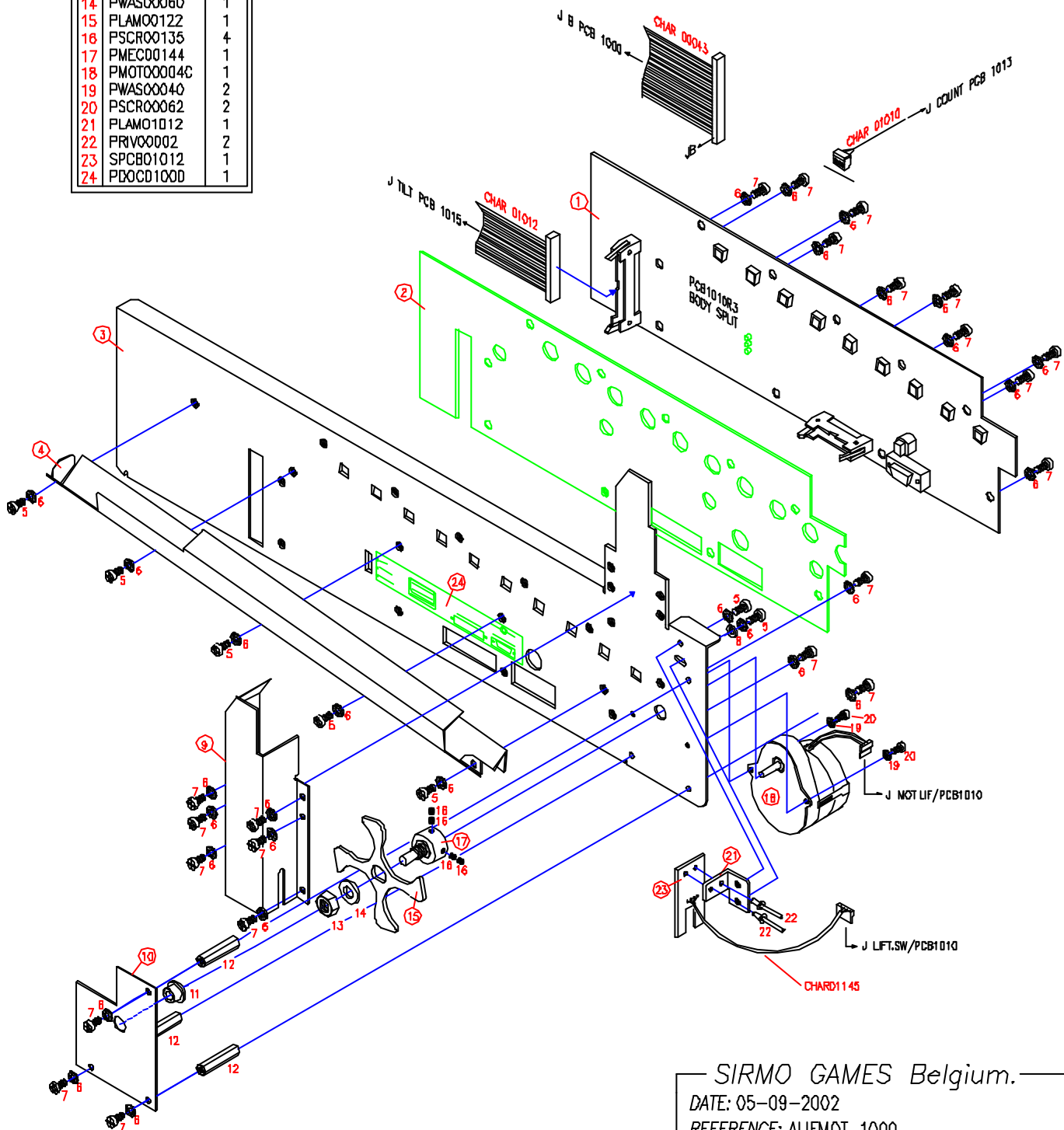


Plan du corps avec: -Porte 2 monnayeurs.  
 -Lecteur de billets.  
 -hopper.

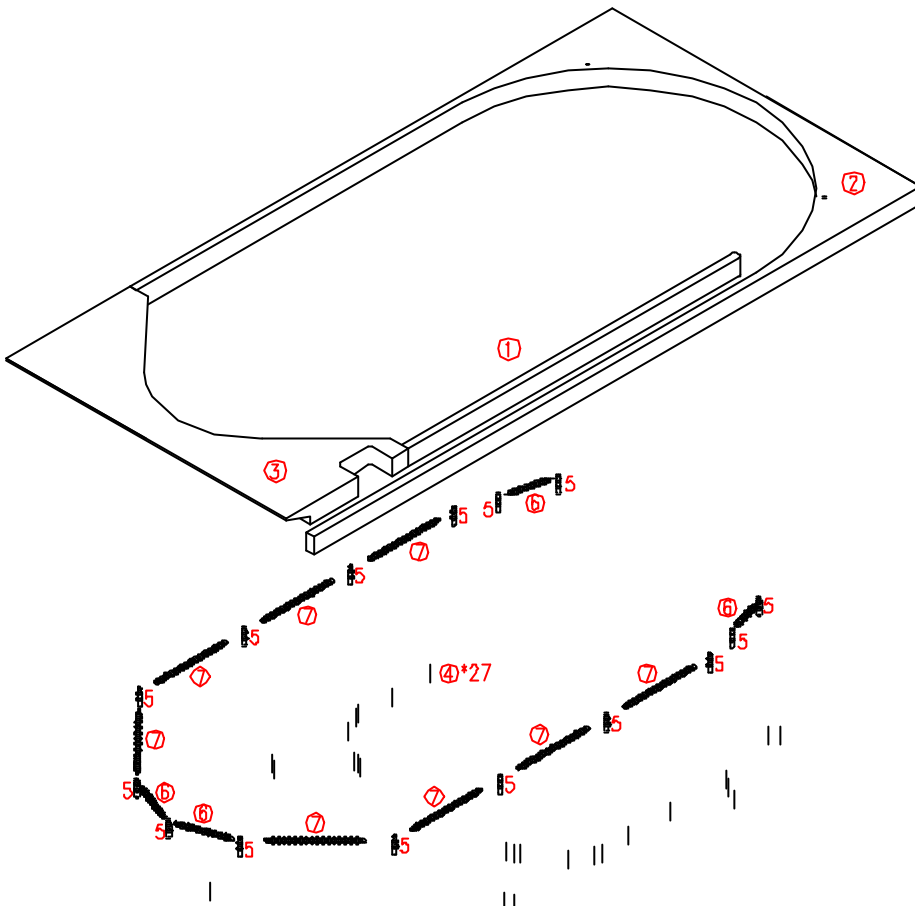
-SIRMO GAMES Belgium-

DATE: 19-02-2003.  
 REFERENCE: BODY 01011 K.  
 DESCRIPTION: BODY MEUBLE BAS.

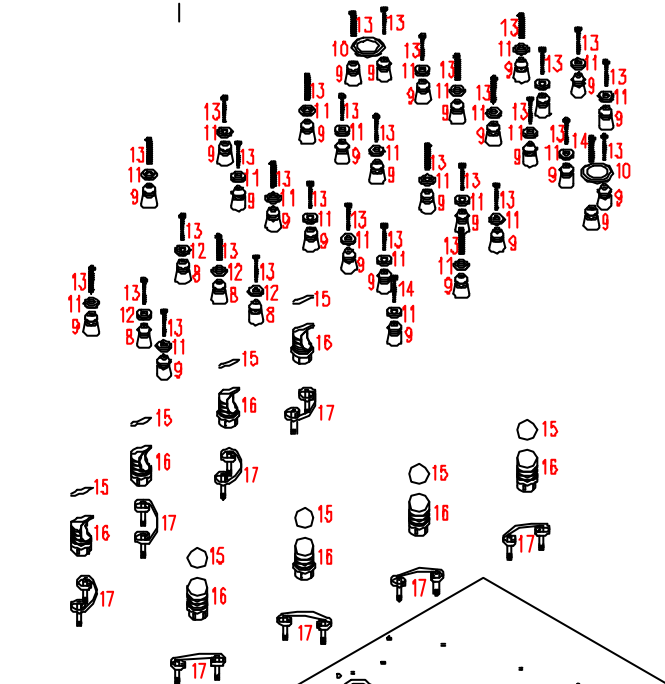
N°	COMPONENTS	Qty
1	SPCB01010R3	1
2	PPCB01011R2	1
3	PLAM01010	1
4	PLAM01011	1
5	PSCR00180	7
6	PWAS00041	29
7	PSCR00182	22
8	PWAS00002	1
9	PLAM00323	1
10	PLAM00324	1
11	PMEC00106	1
12	PMEC00142	3
13	PNU00006	1
14	PWAS00060	1
15	PLAM00122	1
16	PSCR00135	4
17	PMEC00144	1
18	PMOT00004C	1
19	PWAS00040	2
20	PSCR00062	2
21	PLAM01012	1
22	PRIV00002	2
23	SPCB01012	1
24	PBOCD1000	1



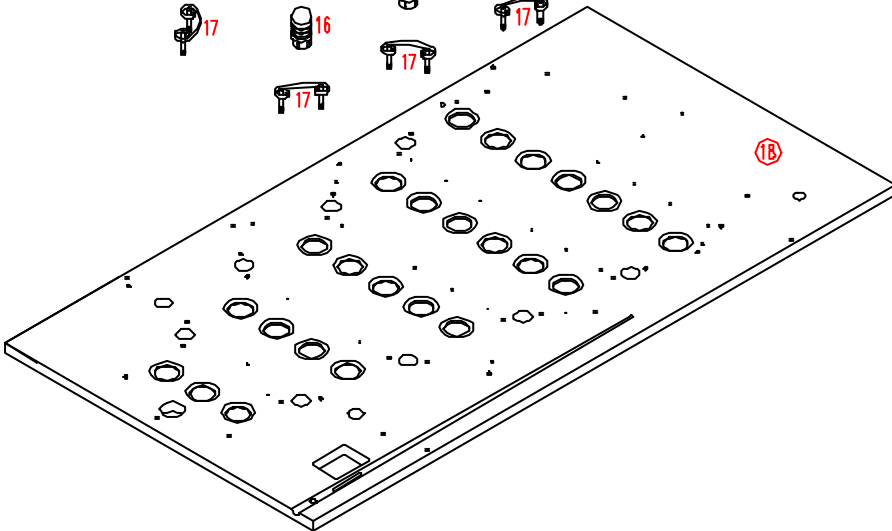
SIRMO GAMES Belgium.  
 DATE: 05-09-2002  
 REFERENCE: ALFMOT 1000  
 DESCRIPTION: LIFTER MOTOR ASSY SERIAL 1000

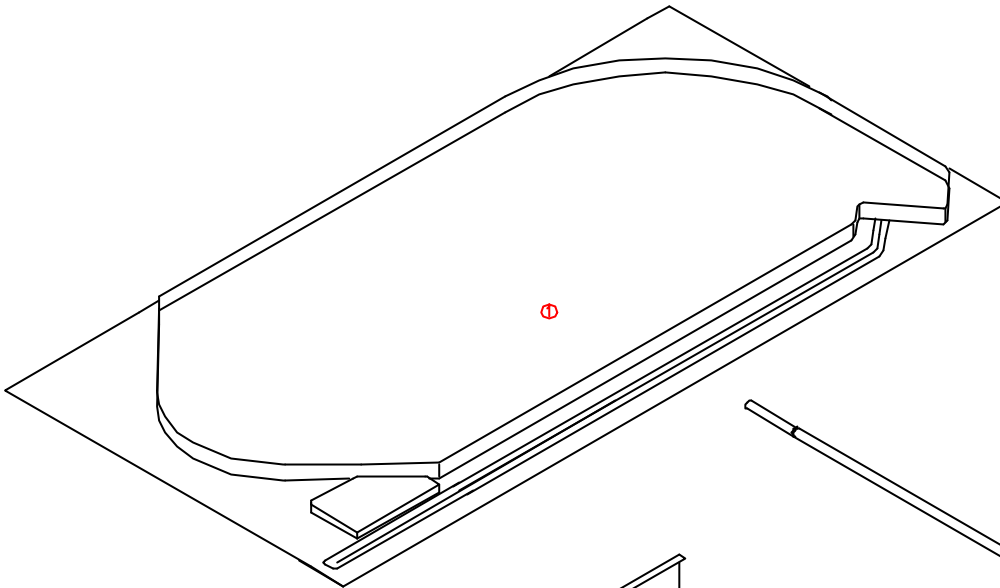


N°	COMPONENTS	Qty
01	PWDD0005	1
02	PWDD01006	1
03	PWDD01009	1
04	PNA00030	27
05	PNA00031	15
06	PSPRD010	4
07	PSPRD011	6
08	PPLAC007	4
09	PPLAC008	30
10	PRUB0003	2
11	PRUB0004	26
12	PRUB0005	4
13	PSCR0047A	32
14	PSCR0047	2
15	PPLAC040	8
16	PPLAC009	6
17	PSPRD009	6
18	PPOLD1000	1

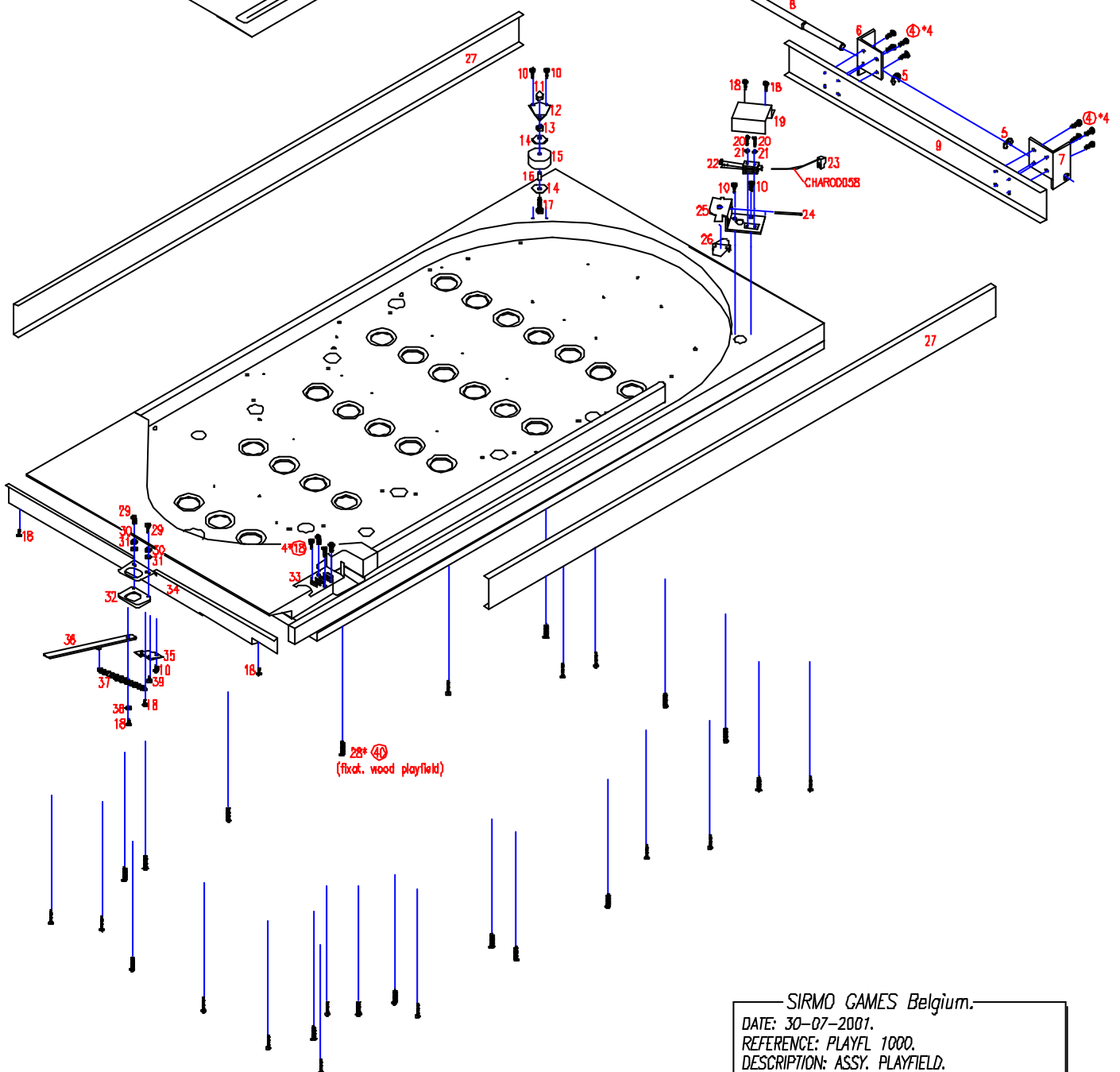


SIRMO GAMES Belgium.  
 DATE: 30-07-2001.  
 REFERENCE: PLAYFL 1000.  
 DESCRIPTION: ASSY PLAYFIELD.  
 SHEET: 1 of 3.

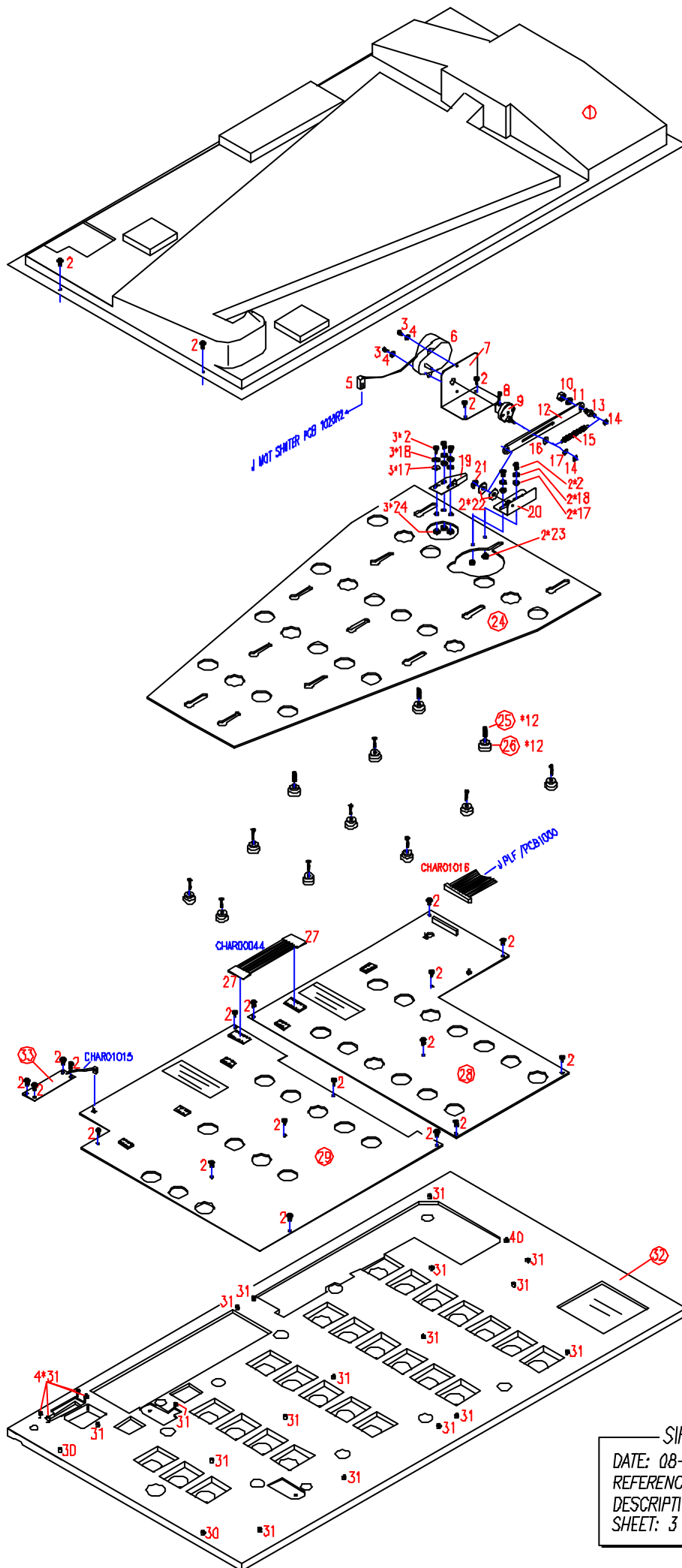




N°	COMPONENTS	Qty	N°	COMPONENTS	Qty
1	PPLA00152	1	21	PWAS00001	2
			22	PSWTD0011	1
			23	PCND00269+PCN00353	1
4	PSCRO0048	8		PMEC00100	1
5	PCIRO0006	2	24	PLAND0053	1
6	PLAN00180R2	1	25	PLAND0054	1
7	PLAN00179R2	1	26	PLAND0173	2
8	PMEC00126	1			
9	PLAN00174	1	29	PSCRO0062	2
10	PSCRO0041	5	30	PWAS00001	2
11	PNLUT00040	1	31	PWAS00040	2
12	PLAN00059	1	32	PLAND1021R2	1
13	PNLUT00004	1	33	PLAND0081	1
14	PLAN00060	2	34	PLAND1020	1
15	PRUB00002	1	35	PLAND0084	1
16	PMEC00055	1	36	PLAND0083	1
17	PSCRO0158	1	37	PSFRO0010	1
18	PSCRO0040	10	38	PWAS00011	1
19	PLAN00080	1	39	PSCRO0039	1
20	PSCRO0065	2	40	PSCRO0096	26



—SIRMO GAMES Belgium.—  
 DATE: 30-07-2001.  
 REFERENCE: PLAYFL 1000.  
 DESCRIPTION: ASSY. PLAYFIELD.  
 SHEET: 2 of 3



N°	COMPONENTS	Qty
1	PPLA00049	1
2	PSCR00182	27
3	PSCR00061	2
4	PWAS00040	2
5	PCON00141+PCON00153	1
6	PNUT00003C	1
7	PLAM00056	1
8	PSCR00106	1
9	PMED00054	1
10	PNUT00005	1
11	PWAS00043	1
12	PLAM0153	1
13	PMED00039	1
14	PCIRO0002	2
15	PSPR00005	1
16	PWAS00011	1
17	PWAS00002	6
18	PWAS00041	5
19	PLAM01026	1
20	PLAM00051	1
21	PCIRO0004	1
22	PWAS00013	2
23	PNUT00037	5
24	PWOD00003	1
25	PSCR00095	12
26	PPLA00020	12
27	PCON00014	2
28	SPCB1020 REV2	1
29	SPCB1021	1
30	PNUT00041	2
31	PNUT00038	20
32	PPLO1000	1
33	PPCB01022	1

—SIRMO GAMES Belgium.—  
 DATE: 08-05-2002.  
 REFERENCE: PLAYF 1000.  
 DESCRIPTION: ASSY. PLAYFIELD.  
 SHEET: 3 of 3.

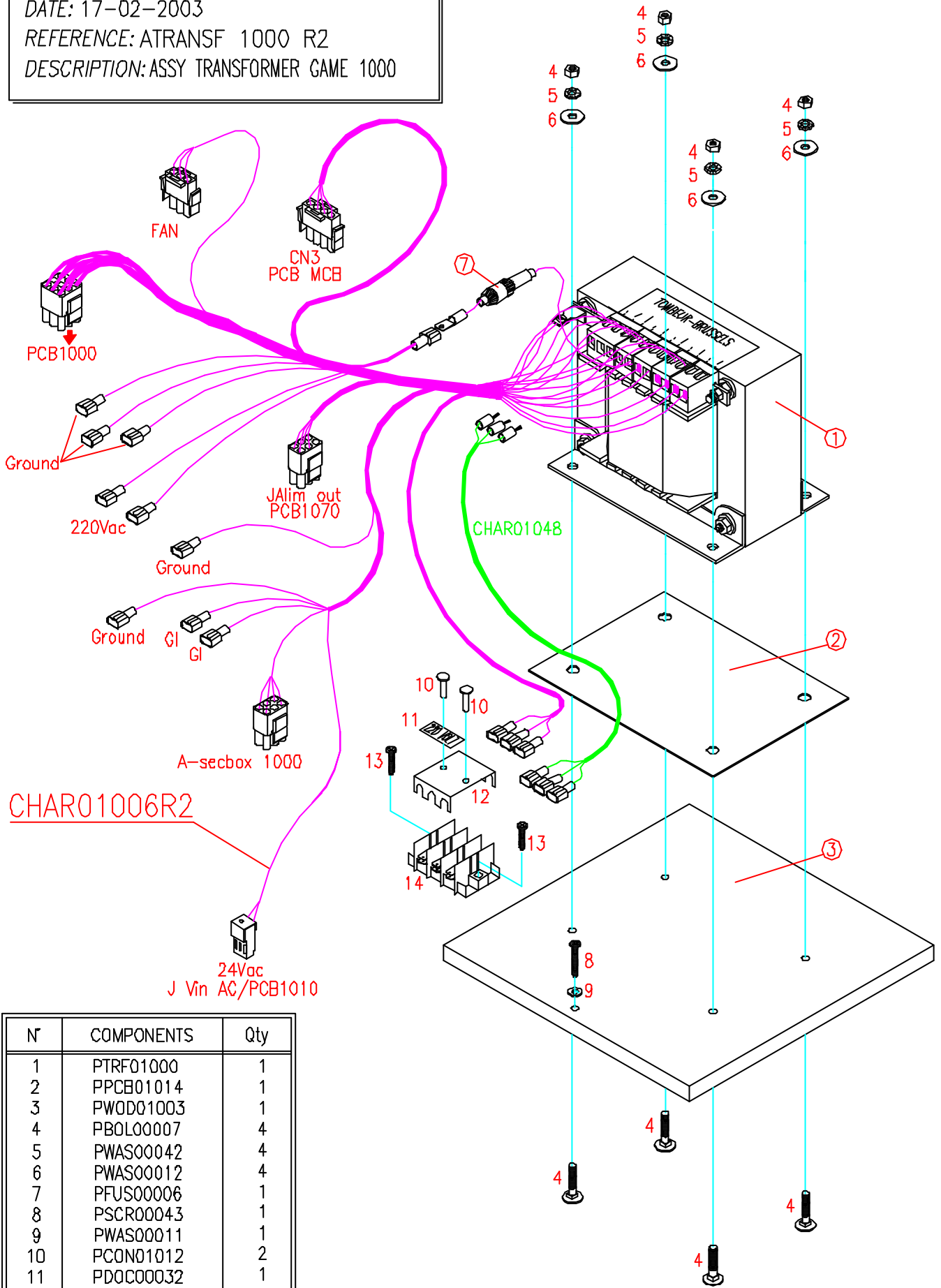


SIRMO GAMES Belgium.

DATE: 17-02-2003

REFERENCE: ATRANSF 1000 R2

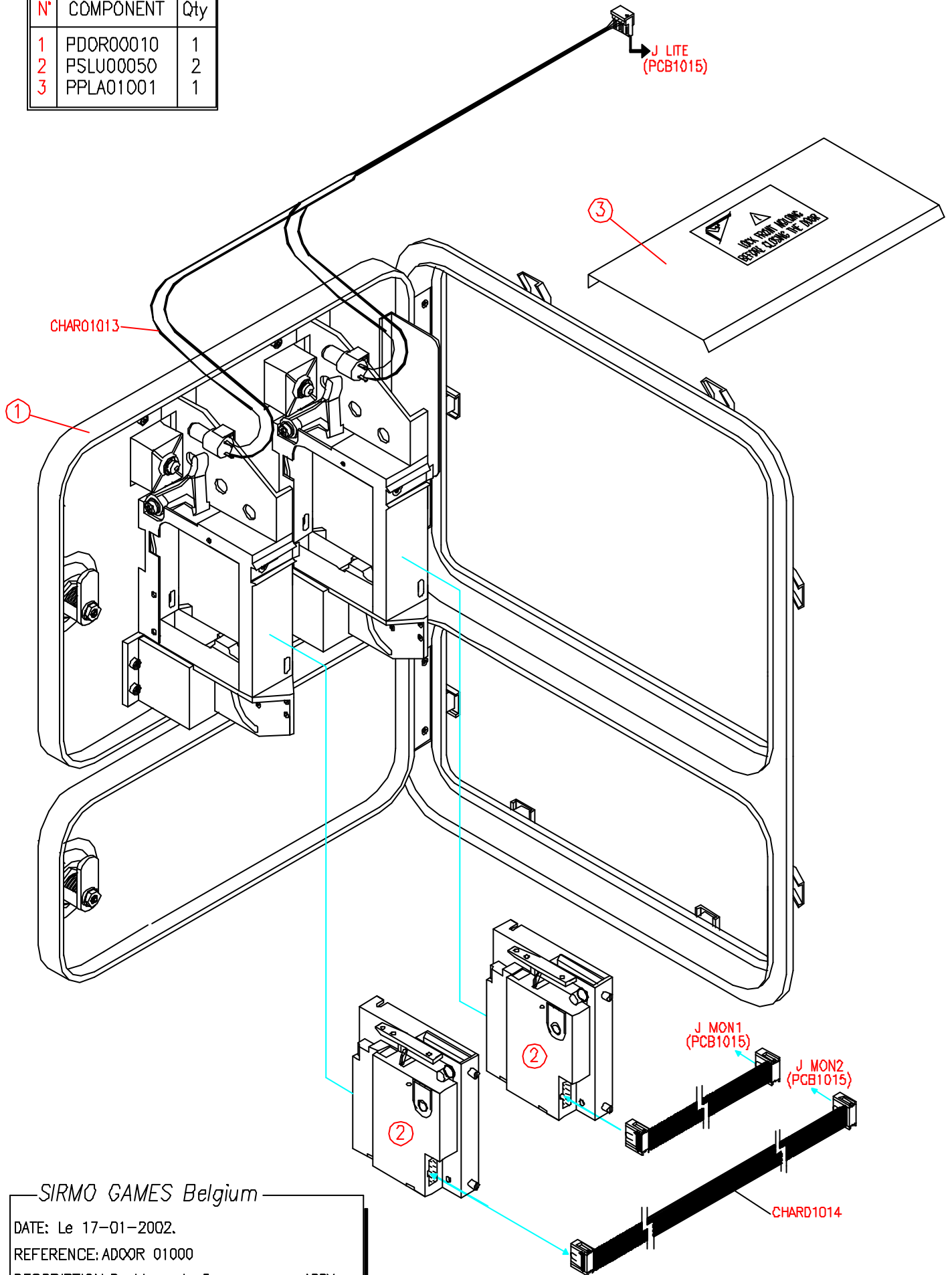
DESCRIPTION: ASSY TRANSFORMER GAME 1000



N°	COMPONENTS	Qty
1	PTRF01000	1
2	PPCB01014	1
3	PWOD01003	1
4	PBOL00007	4
5	PWAS00042	4
6	PWAS00012	4
7	PFUS00006	1
8	PSCR00043	1
9	PWAS00011	1
10	PCON01012	2
11	PDCC00032	1
12	PCON01011	1
13	PSCR00030	2
14	PCON01010	1



N°	COMPONENT	Qty
1	PDOR00010	1
2	PSLU00050	2
3	PPLA01001	1



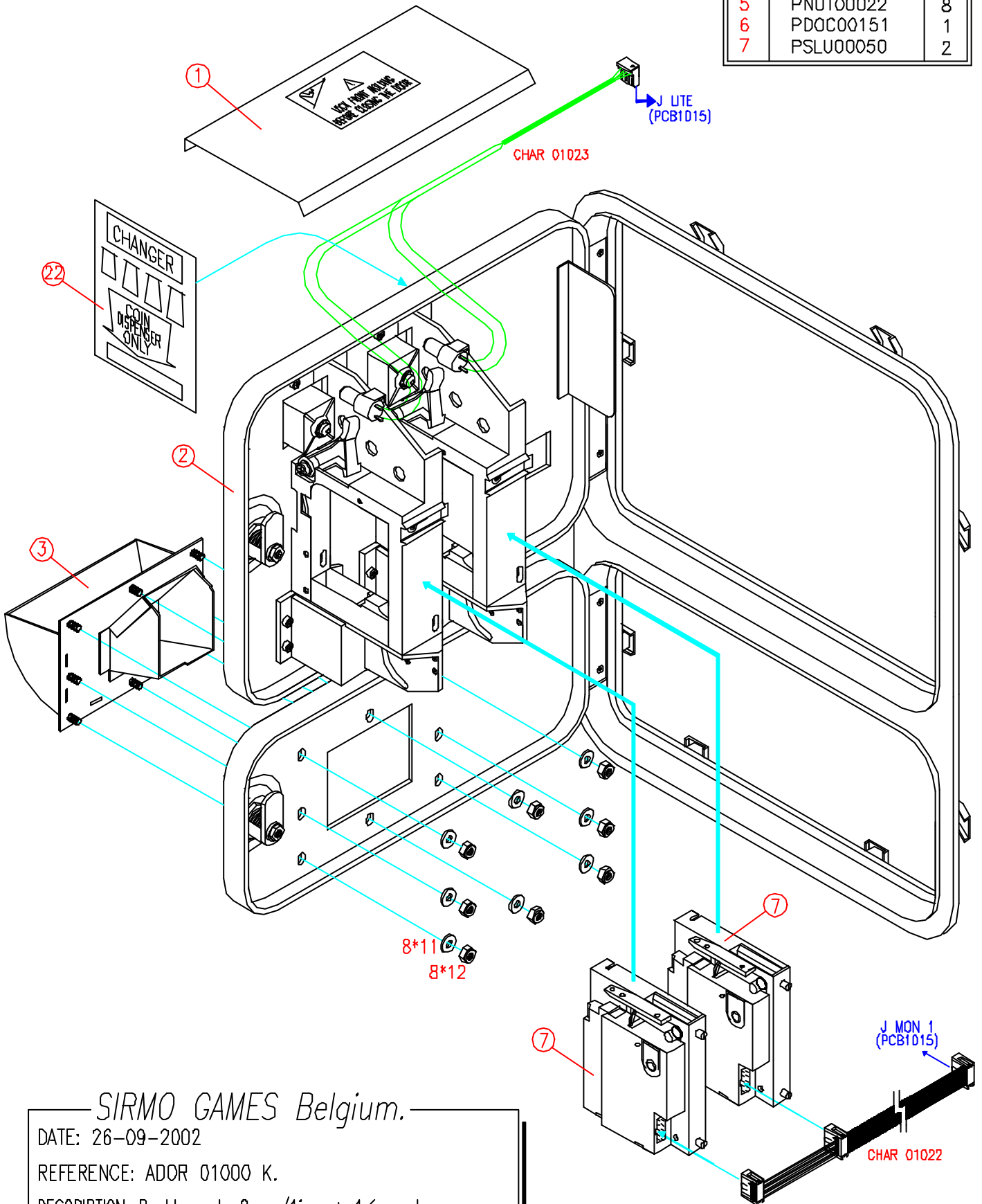
SIRMO GAMES Belgium

DATE: Le 17-01-2002.

REFERENCE: ADCOR 01000

DESCRIPTION: Double porte 2 monnayeurs ASSY

N°	COMPONENTS	Qty
1	PPLA01001	1
2	PDOR00023	1
3	PLAM00553	1
4	PWAS00012	8
5	PNUT00022	8
6	PDQC00151	1
7	PSLU00050	2



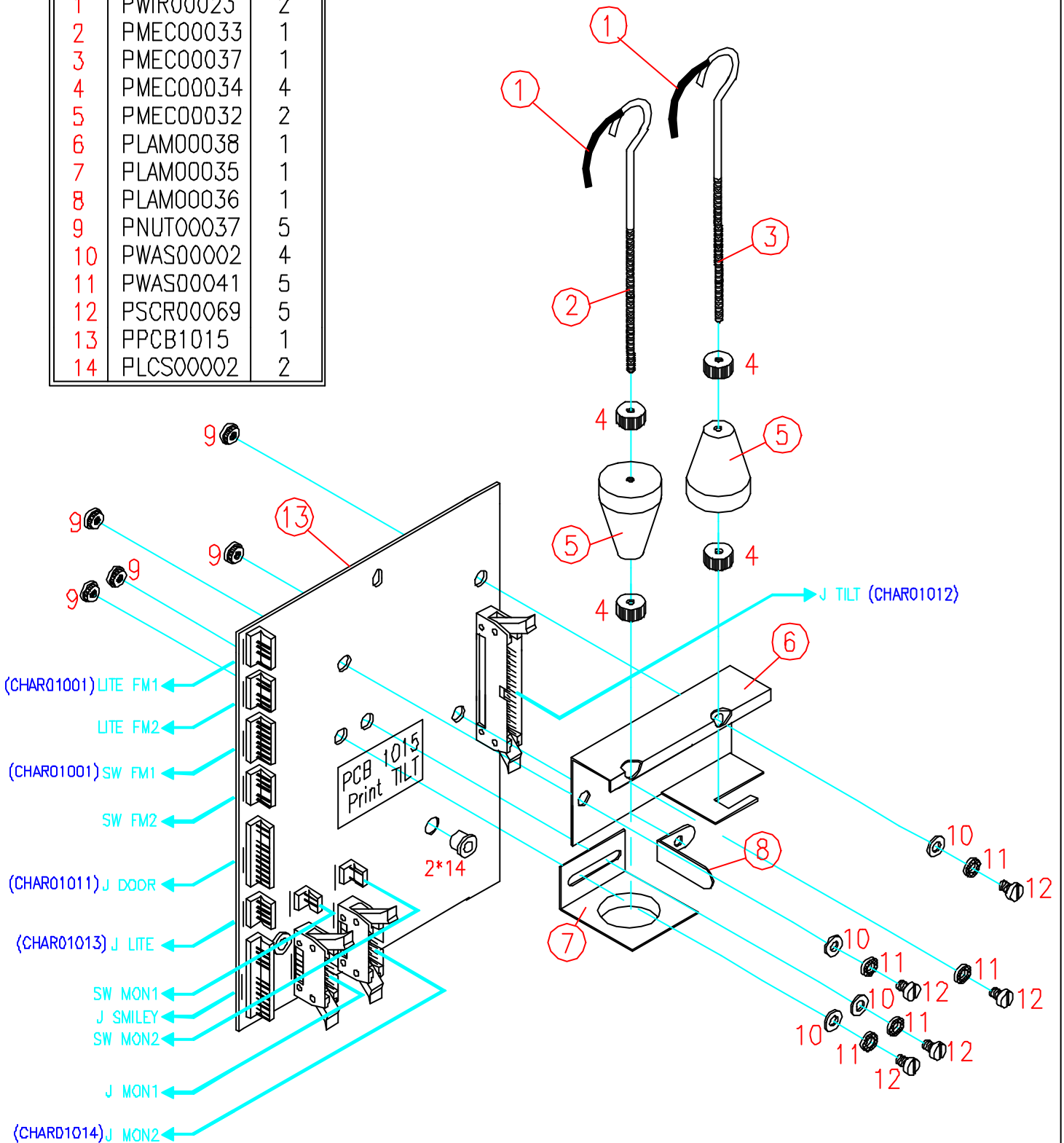
SIRMO GAMES Belgium.

DATE: 26-09-2002

REFERENCE: ADOR 01000 K.

DESCRIPTION: Double porte 2mon/1jcm + 1récup de mon assy

N°	COMPONENTS	Qty
1	PWIR00023	2
2	PMEC00033	1
3	PMEC00037	1
4	PMEC00034	4
5	PMEC00032	2
6	PLAM00038	1
7	PLAM00035	1
8	PLAM00036	1
9	PNUT00037	5
10	PWAS00002	4
11	PWAS00041	5
12	PSCR00069	5
13	PPCB1015	1
14	PLCS00002	2



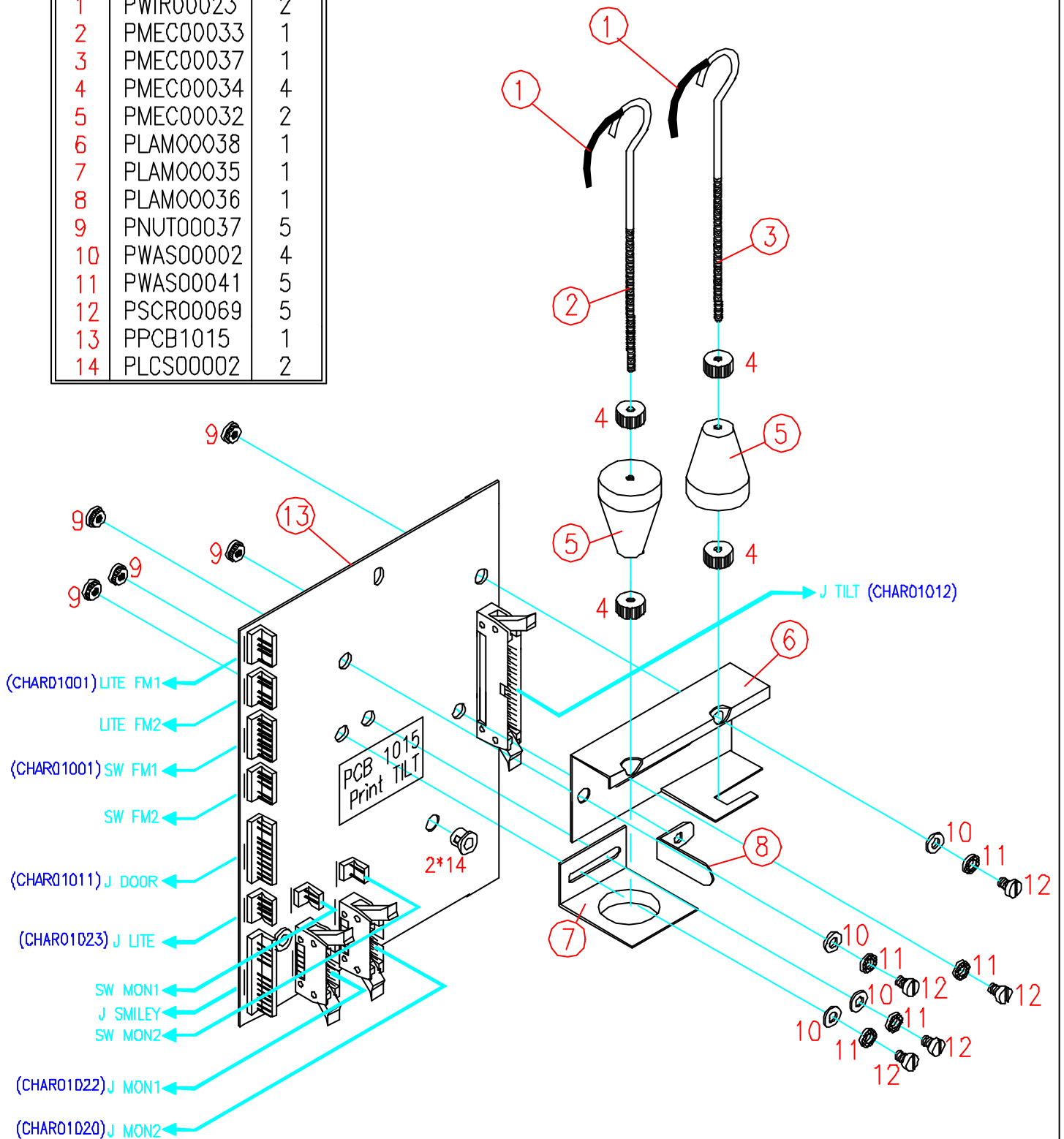
SIRMO GAMES Belgium.

DATE: 11-12-2001

REFERENCE: SPCB1015

DESCRIPTION: PCB TILT (1015) ASSY

N°	COMPONENTS	Qty
1	PWIR00023	2
2	PMEC00033	1
3	PMEC00037	1
4	PMEC00034	4
5	PMEC00032	2
6	PLAM00038	1
7	PLAM00035	1
8	PLAM00036	1
9	PNUT00037	5
10	PWAS00002	4
11	PWAS00041	5
12	PSCR00069	5
13	PPCB1015	1
14	PLCS00002	2



SPCB1015 Pour KIT Hopper + Lect.de billets.

SIRMO GAMES Belgium.

DATE:26-09-2002

REFERENCE: SPCB1015 K.

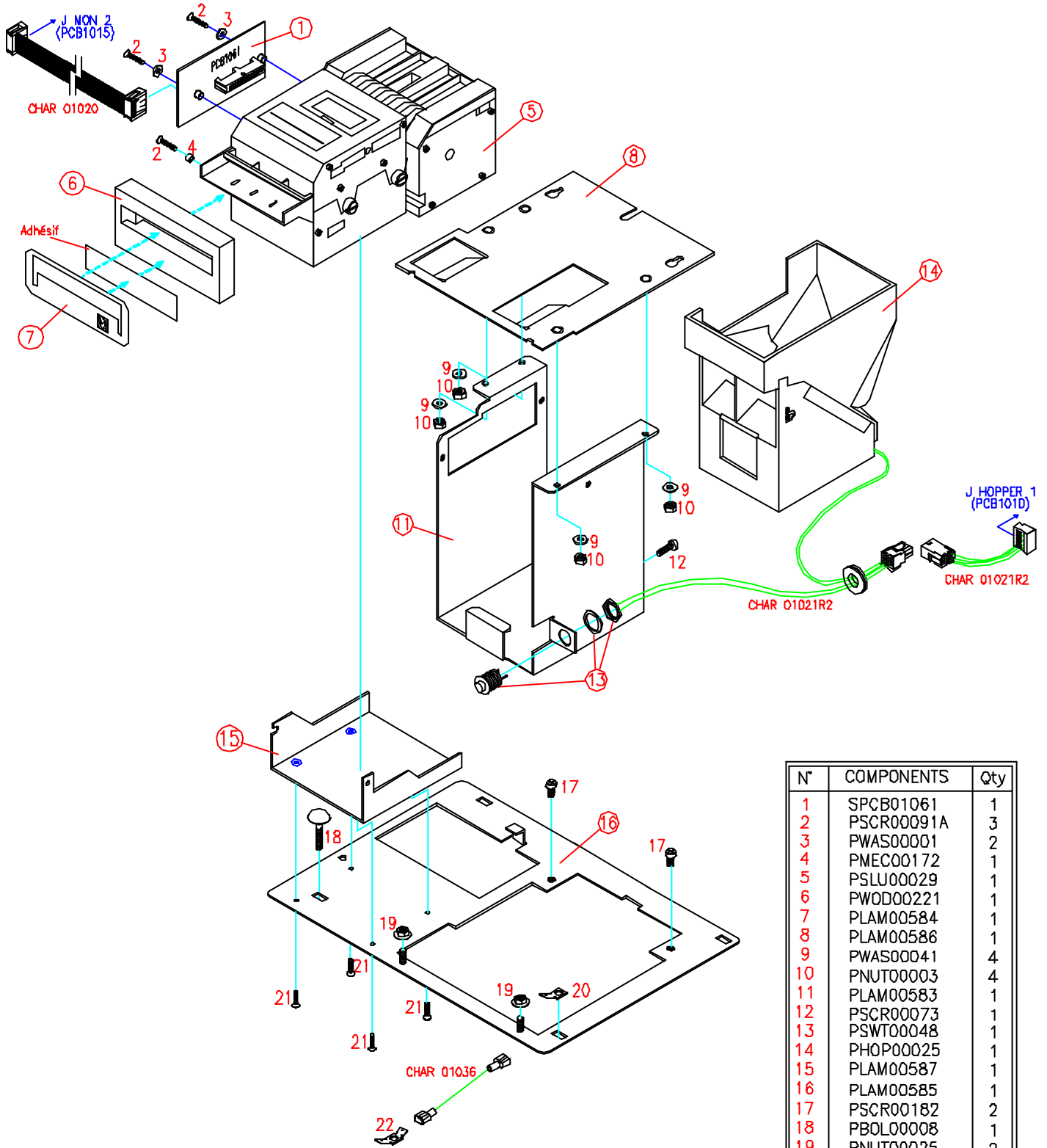
DESCRIPTION: PCB TILT (1015) ASSY

SIRMO GAMES Belgium.

DATE: 21-02-2003

REFERENCE: AMEC 01000

DESCRIPTION: ASSY PLAM581+Comp Hopper+JCM



N°	COMPONENTS	Qty
1	SPCB01061	1
2	PSCR00091A	3
3	PWAS00001	2
4	PMEC00172	1
5	PSLU00029	1
6	PWOD00221	1
7	PLAM00584	1
8	PLAM00586	1
9	PWAS00041	4
10	PNU00003	4
11	PLAM00583	1
12	PSCR00073	1
13	PSWT00048	1
14	PHOP00025	1
15	PLAM00587	1
16	PLAM00585	1
17	PSCR00182	2
18	PBOL00008	1
19	PNU00025	2
20	PCON00188	1
21	PSCR00160	4
22	PCON00189	1

Lite FM1 (PCB1015)

SW FM1 (PCB1015)

CHAR01001

1

2

3

4

7

5

6

3

4

3

4

5

8

8

9

5

10

N°	COMPONENTS	Qty
1	PLAM01001r2	1
2	PLAM01002	1
3	PWAS00012	3
4	PNUT00022	3
5	PNUT00021	3
6	PWAS00011	1
7	PLAM01003	1
8	PCON01001	2
9	PCON01000	1
10	PLAM01004	1

SW Man.Lifter

SIRMO GAMES Belgium.

DATE: 21-01-2001.

REFERENCE: ASFRMOL 1000.

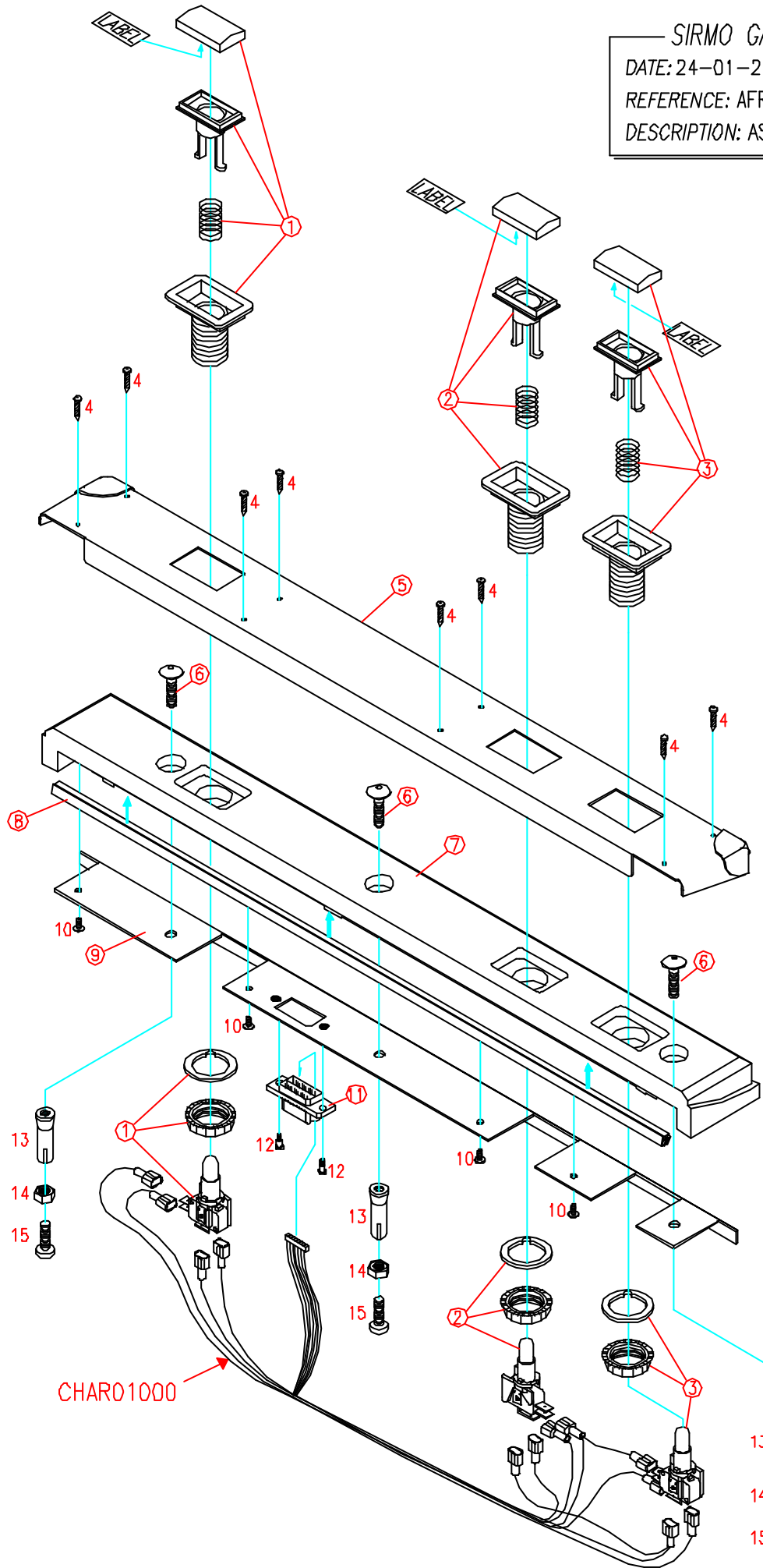
DESCRIPTION: SUB FRONT MOULDING ASSY.

SIRMO GAMES Belgium.

DATE: 24-01-2002

REFERENCE: AFR MÔL 1000

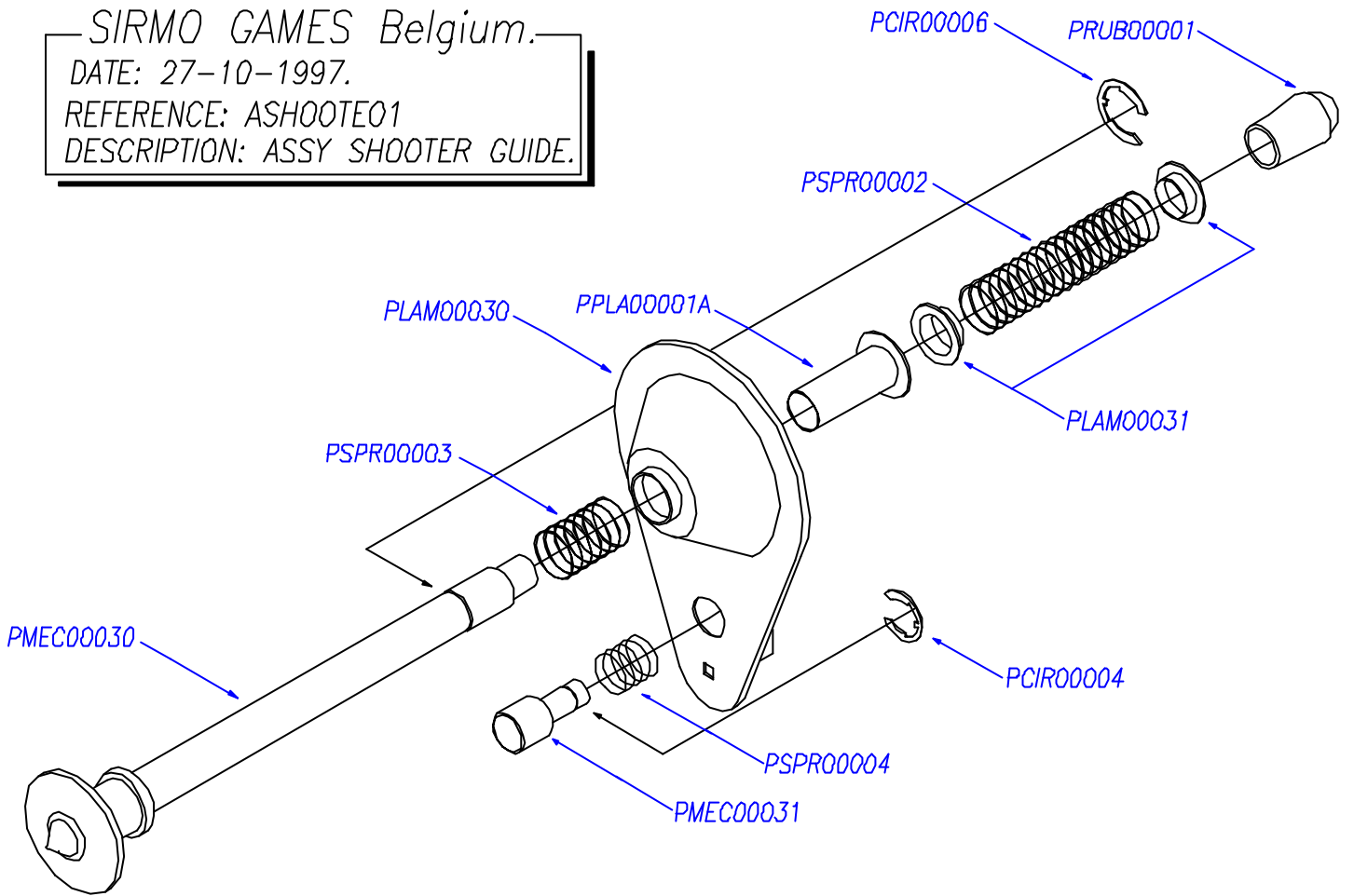
DESCRIPTION: ASSEMBLY FRONT MOULDING



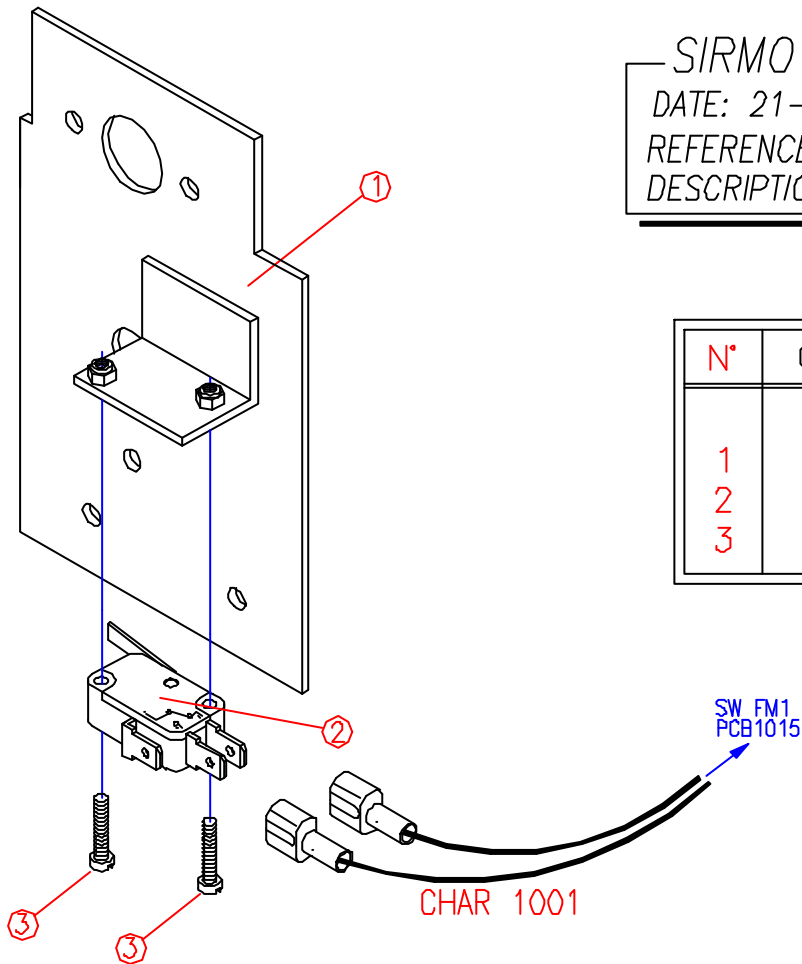
N°	COMPONENTS	Qty
1	PSWT00038	1
2	PSWT00039	1
3	PSWT00043	1
4	PNAI00005	8
5	PLAM01030	1
6	PBOL00015	3
7	PWOD01008	1
8	PRUB00008	51cm
9	PLAM01009	1
10	PSCRO0040	4
11	PCON01000	1
12	PCON01001	2
13	PMEC01010	3
14	PNUT00005	3
15	PSCRO0206	3



SIRMO GAMES Belgium.  
 DATE: 27-10-1997.  
 REFERENCE: ASHOOTE01  
 DESCRIPTION: ASSY SHOOTER GUIDE.

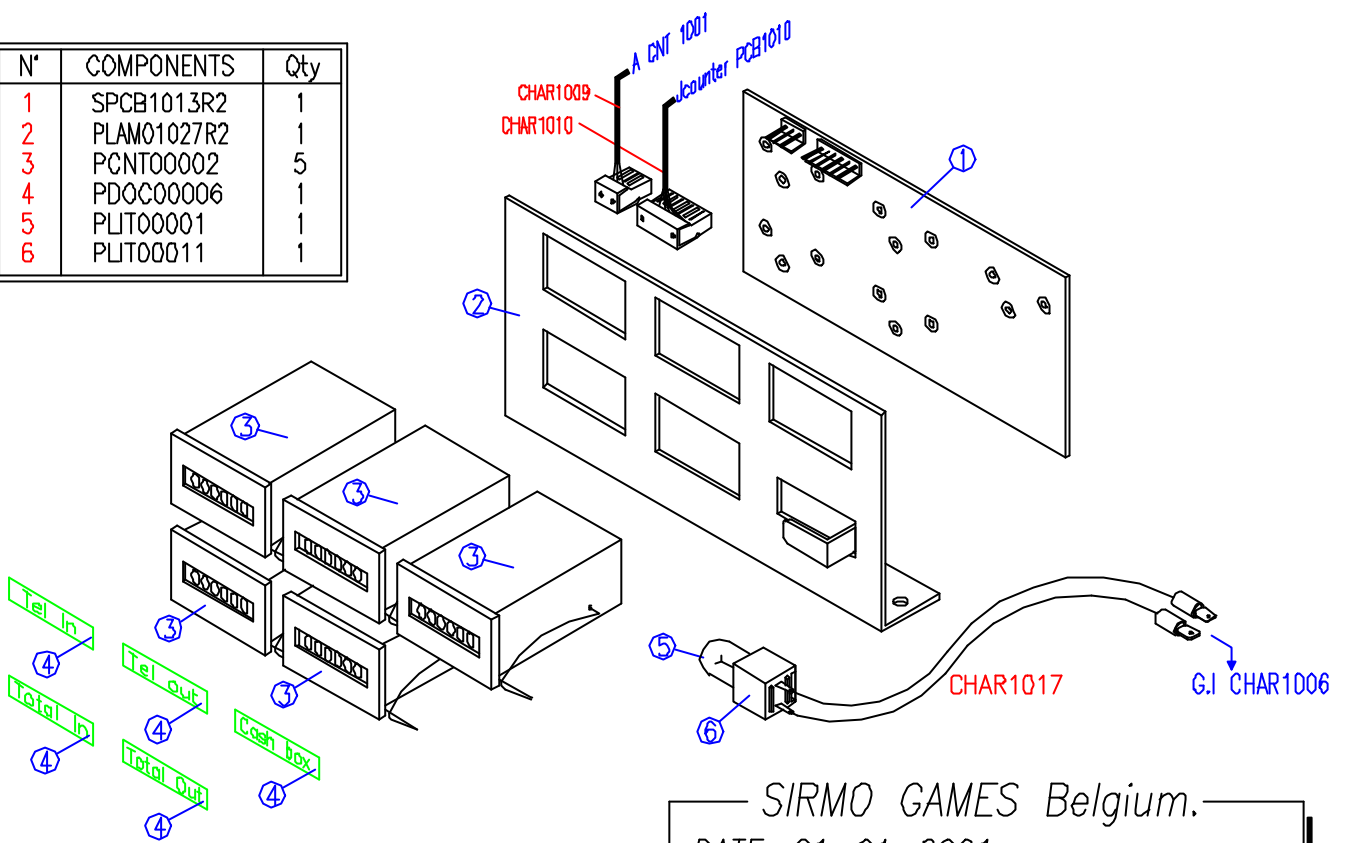


SIRMO GAMES Belgium.  
 DATE: 21-01-2002.  
 REFERENCE: AMAN LIF 1000  
 DESCRIPTION: ASSY MANLIFT.



N°	COMPONENTS	Qty
1	PLAM01025	1
2	PSWT00006	1
3	PSCR00065	2

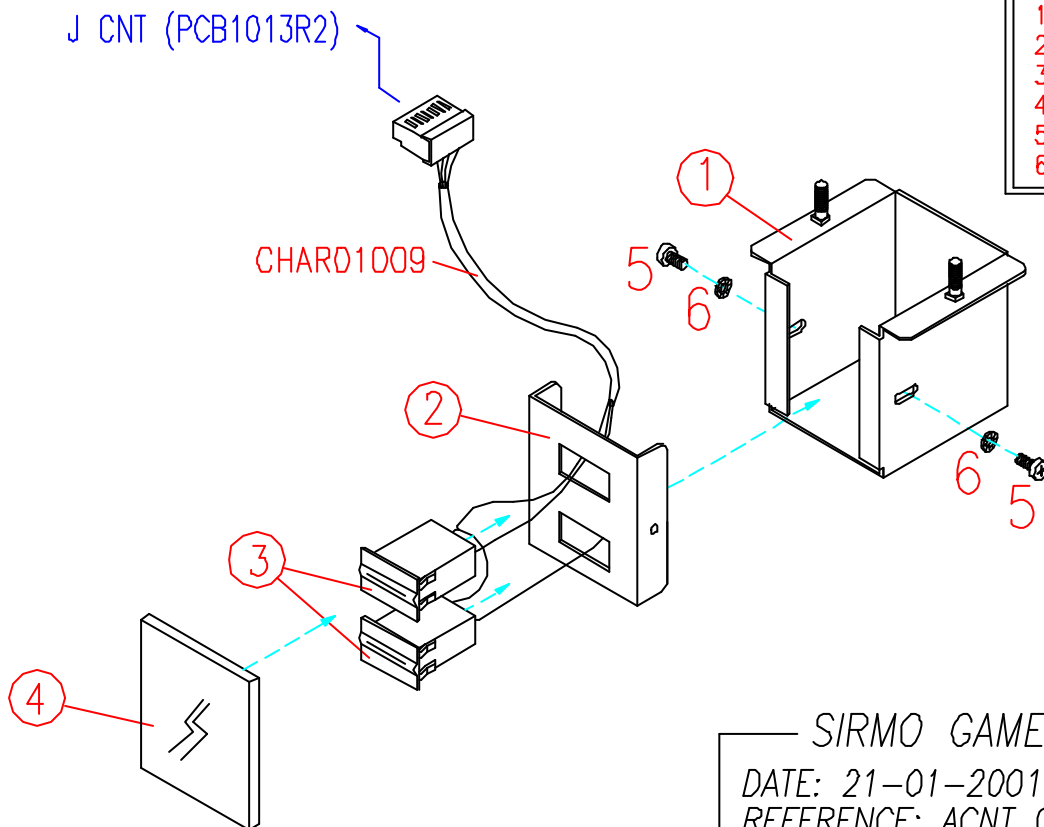
N°	COMPONENTS	Qty
1	SPCB1013R2	1
2	PLAM01027R2	1
3	PCNT00002	5
4	PDOC00006	1
5	PLIT00001	1
6	PLIT00011	1



SIRMO GAMES Belgium.

DATE: 21-01-2001.  
 REFERENCE: ACNT 01000.  
 DESCRIPTION: ASSEMBLY COUNTER.

N°	COMPONENTS	Qty
1	PLAM00550	1
2	PLAM00551	1
3	PCNT00007	2
4	PGLA00201	1
5	PSCR00182	2
6	PWAS00041	2



SIRMO GAMES Belgium.

DATE: 21-01-2001.  
 REFERENCE: ACNT 01001.  
 DESCRIPTION: ASSEMBLY COUNTER.

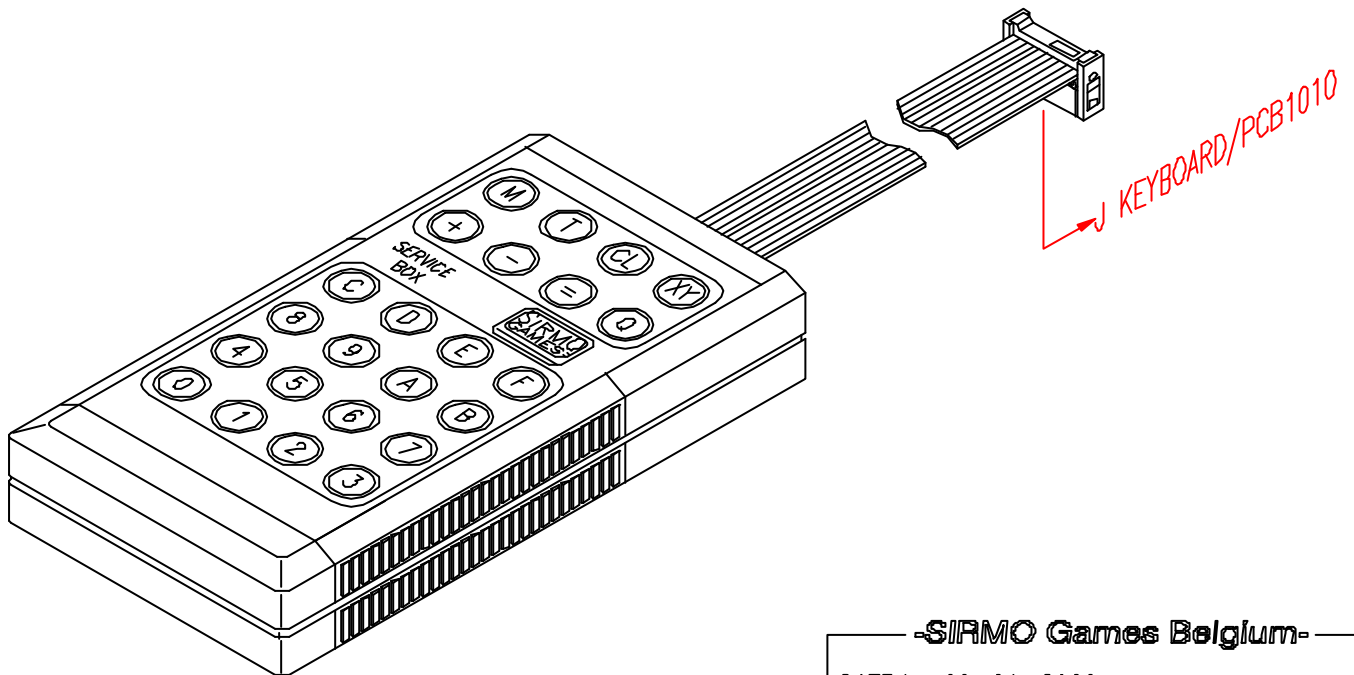
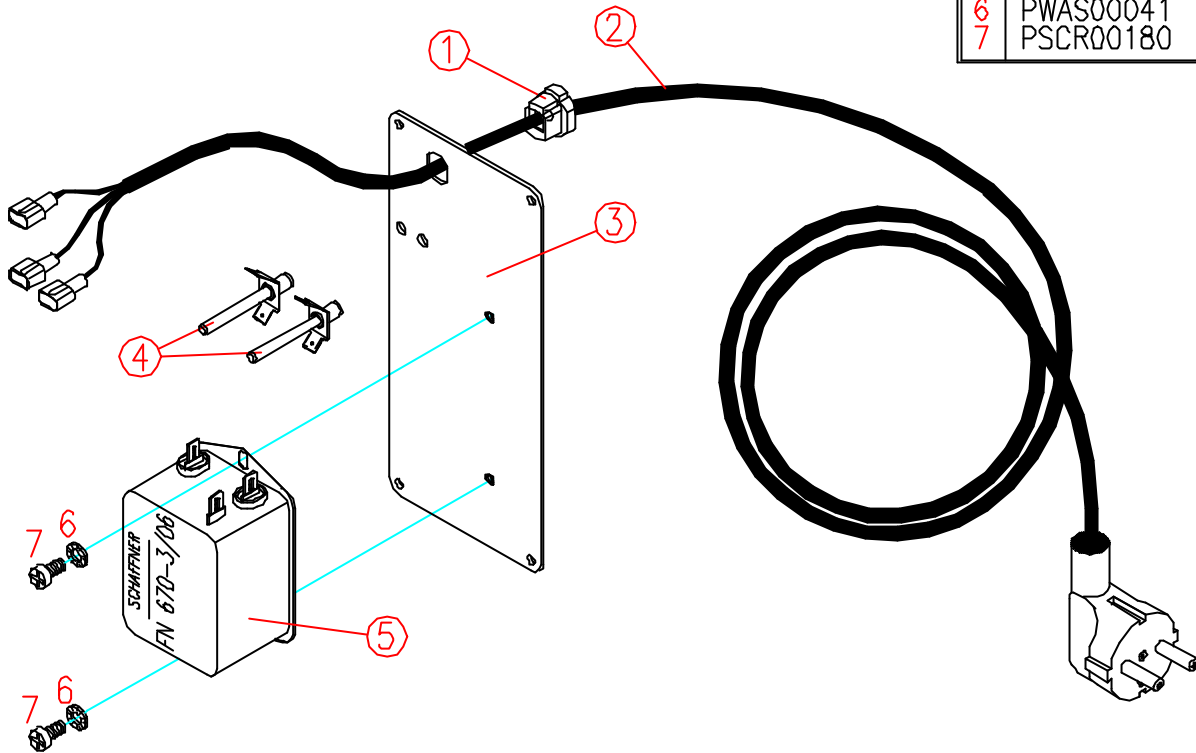
-SIRMO GAMES Belgium-

DATE: Le 13-09-2002.

REFERENCE: AFILTER1000

DESCRIPTION: Filtre secteur ASSY

N°	COMPONENT	Qty
1	PLCS01000	1
2	CHAR00025	1
3	PLAM01032	1
4	PRIV00021	2
5	PSF100005	1
6	PWAS00041	2
7	PSCR00180	2



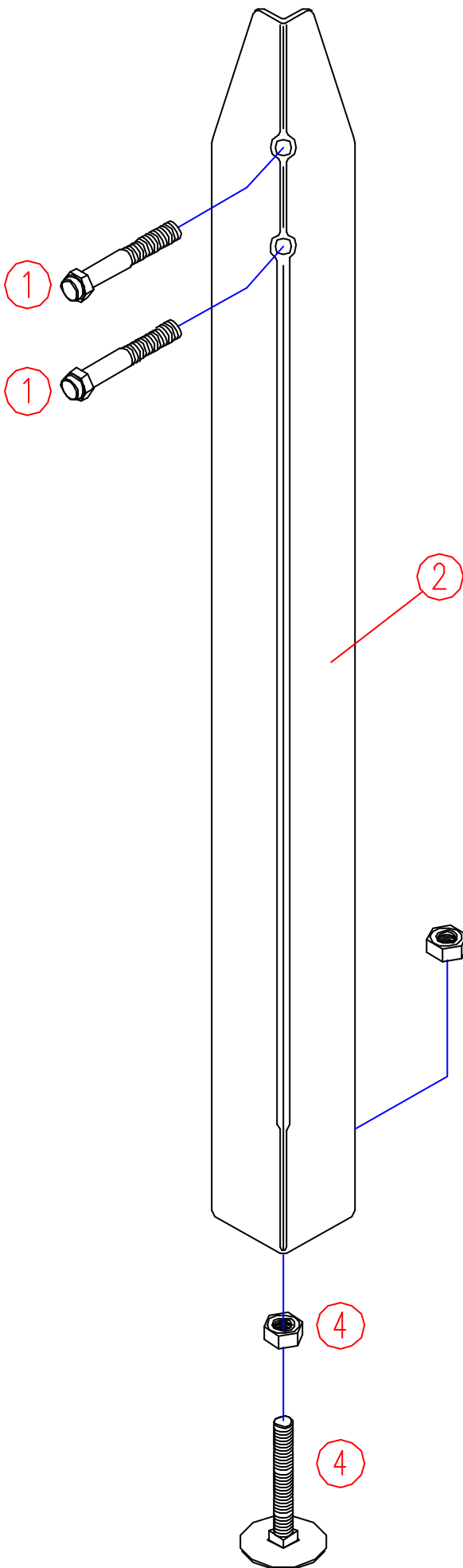
-SIRMO Games Belgium-

DATE: Le 29-01-2002.

REFERENCE: SPCB 093

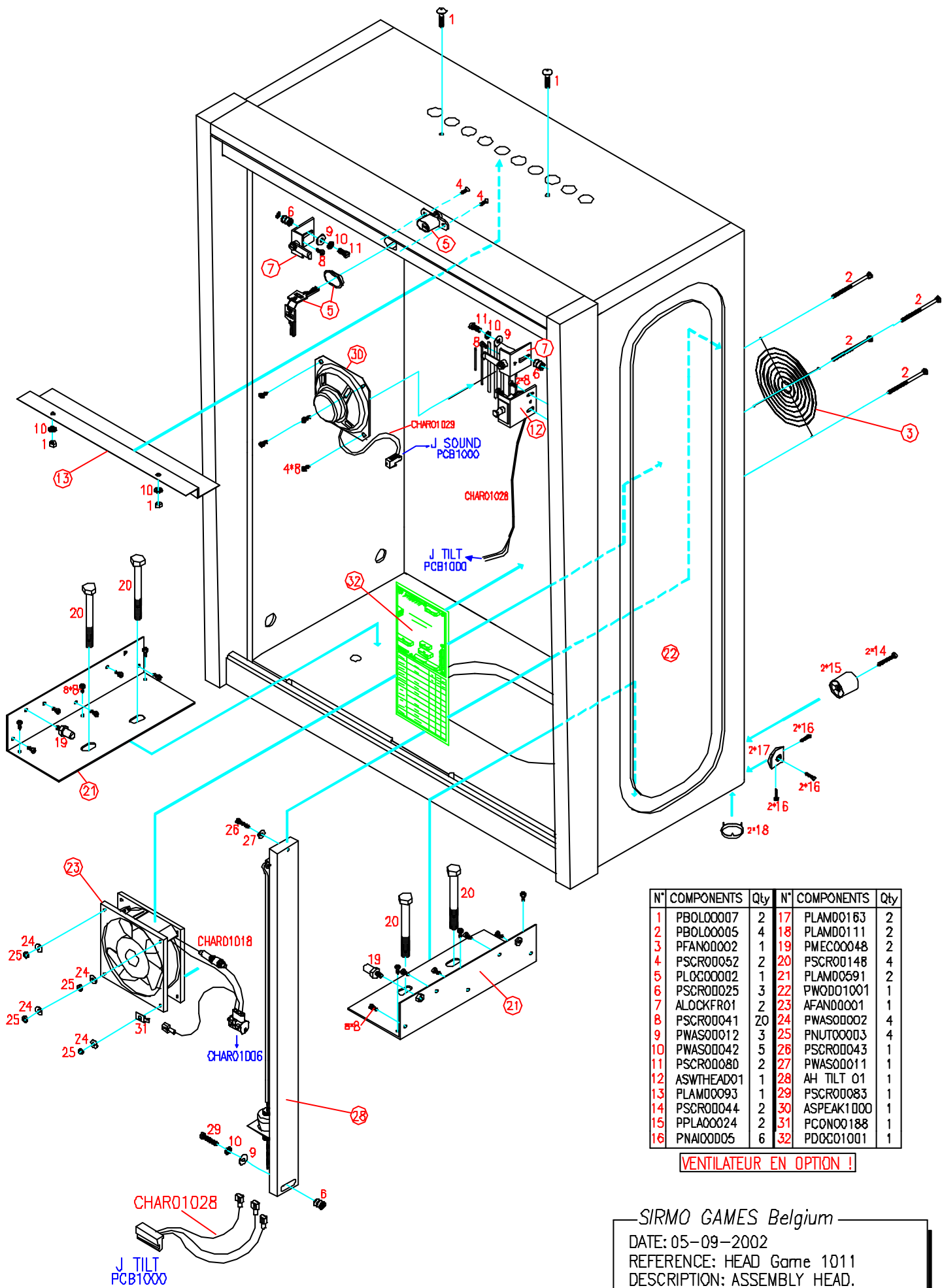
DESCRIPTION: Assy KEYBOARD 093

REF PC:A-clav1000



N°	COMPONENTS	Qty
1	PMEC00052	2
2	PLAM00114r2	1
3	PNUTO0007	1
4	PMEC00051	1

— SIRMO GAMES Belgium. —  
 DATE: 21-01-2001.  
 REFERENCE: AFOT 01.  
 DESCRIPTION: ASSY FOOT BODY SIRMO.

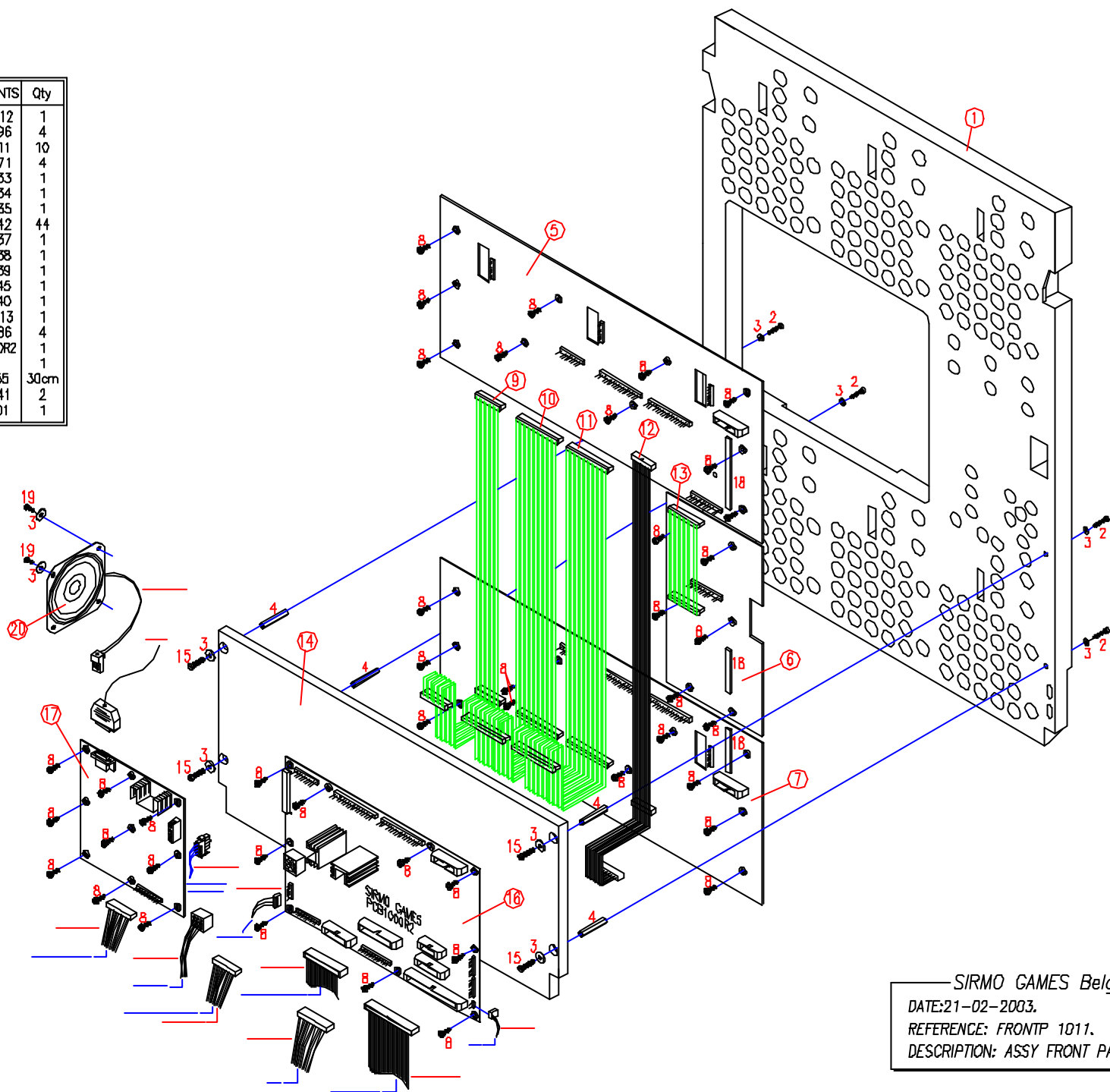


N°	COMPONENTS	Qty	N°	COMPONENTS	Qty
1	PBOL0007	2	17	PLAM00163	2
2	PBOL0005	4	18	PLAM00111	2
3	PFAN0002	1	19	PMEC00048	2
4	PSCR00052	2	20	PSCR00148	4
5	PLG00002	1	21	PLAM00591	2
6	PSCR00025	3	22	PWOD01001	1
7	ALOCKFR01	2	23	AFAND0001	1
8	PSCR00041	20	24	PWAS00002	4
9	PWAS00012	3	25	PNUT00003	4
10	PWAS00042	5	26	PSCR00043	1
11	PSCR00080	2	27	PWAS00011	1
12	ASWTHEAD01	1	28	AH TILT 01	1
13	PLAM00093	1	29	PSCR00083	1
14	PSCR00044	2	30	ASPEAK1000	1
15	PPLA00024	2	31	PCON00188	1
16	PNAI00005	6	32	PDG01001	1

VENTILATEUR EN OPTION !

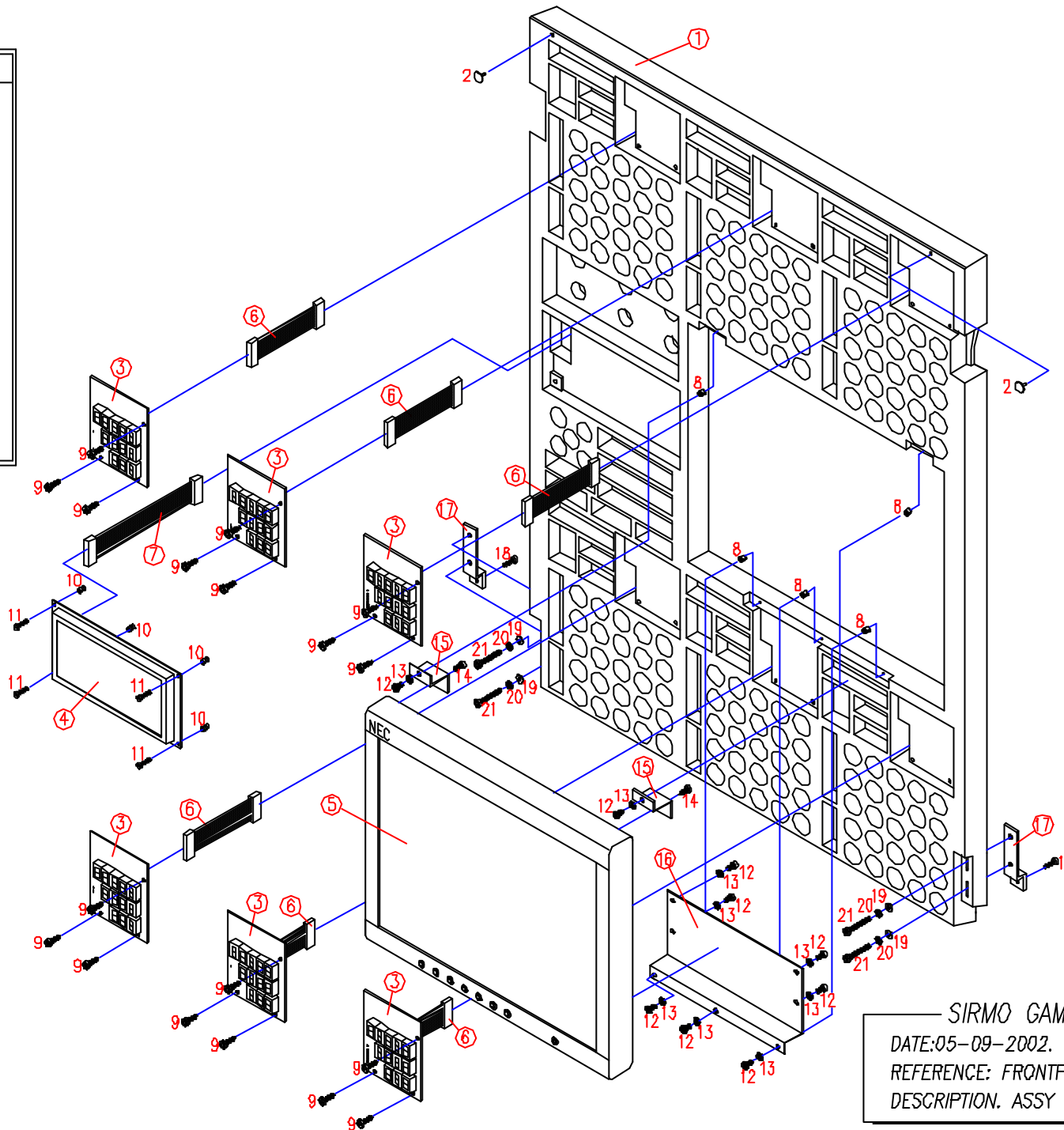
SIRMO GAMES Belgium  
 DATE: 05-09-2002  
 REFERENCE: HEAD Game 1011  
 DESCRIPTION: ASSEMBLY HEAD.

N°	COMPONENTS	Qty
1	PW0D01012	1
2	PSCR00196	4
3	PWAS00011	10
4	PMEC00171	4
5	SPCB01033	1
6	SPCB01034	1
7	SPCB01035	1
8	PSCR00042	44
9	CHAR01037	1
10	CHAR01038	1
11	CHAR01039	1
12	CHAR01045	1
13	CHAR01040	1
14	PW0D01013	1
15	PSCR00186	4
16	PPCB0100R2	1
17	PCB MCB	1
18	PPLA00055	30cm
19	PSCR00041	2
20	PLSP00001	1



—SIRMO GAMES Belgium.—  
 DATE:21-02-2003.  
 REFERENCE: FRONTP 1011.  
 DESCRIPTION: ASSY FRONT PANEL. SHEET: 1 of 2

N°	COMPONENTS	Qty
1	PW0001012	1
2	PPLA00023	2
3	SPCB1050	6
4	ADIS01000	1
5	PVID01000	1
6	CHAR00116	6
7	CHAR01004	1
8	PNUT00041	5
9	PSCR00036	18
10	PNUT00085	4
11	PSCR00093	4
12	PSCR00182	9
13	PWAS00041	9
14	PSCR00037	2
15	PLAM01033	2
16	PLAM01034	1
17	PLAM01006	2
18	PSCR00064	2
19	PWAS00012	4
20	PWAS00042	4
21	PSCR00203	4



SIRMO GAMES Belgium.  
 DATE:05-09-2002.  
 REFERENCE: FRONTP 1011.  
 DESCRIPTION. ASSY FRONT PANEL. SHEET: 2 of 2



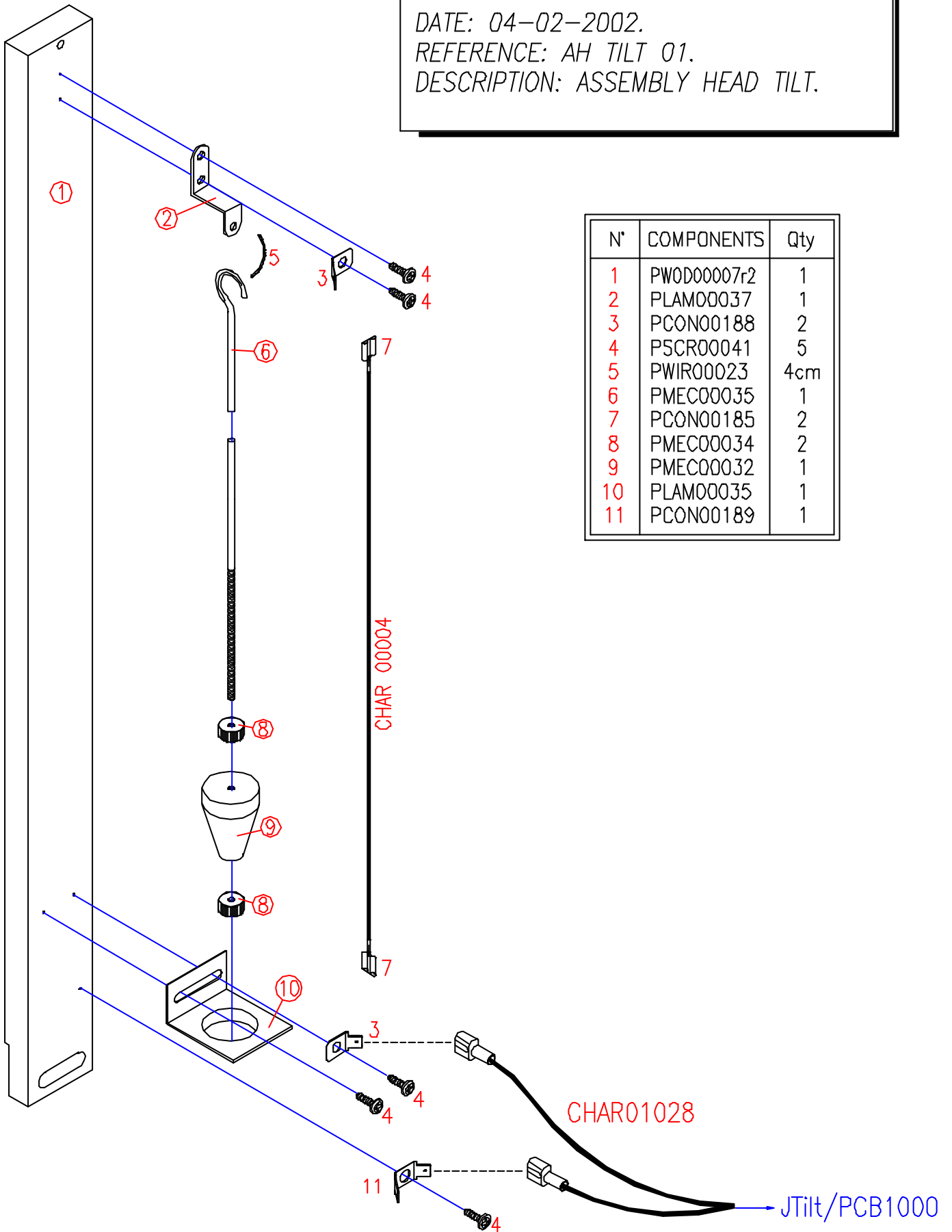
SIRMO GAMES Belgium

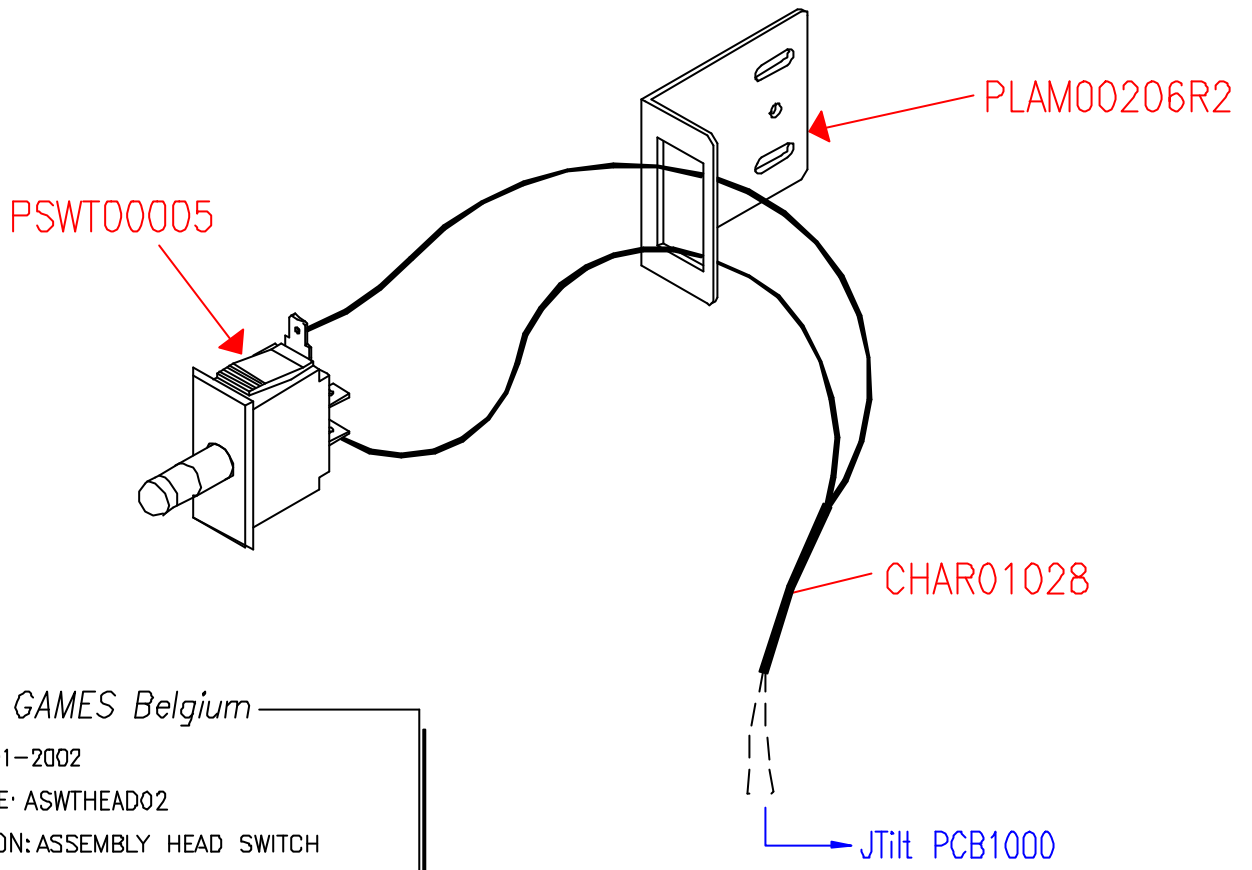
DATE: 04-02-2002.

REFERENCE: AH TILT 01.

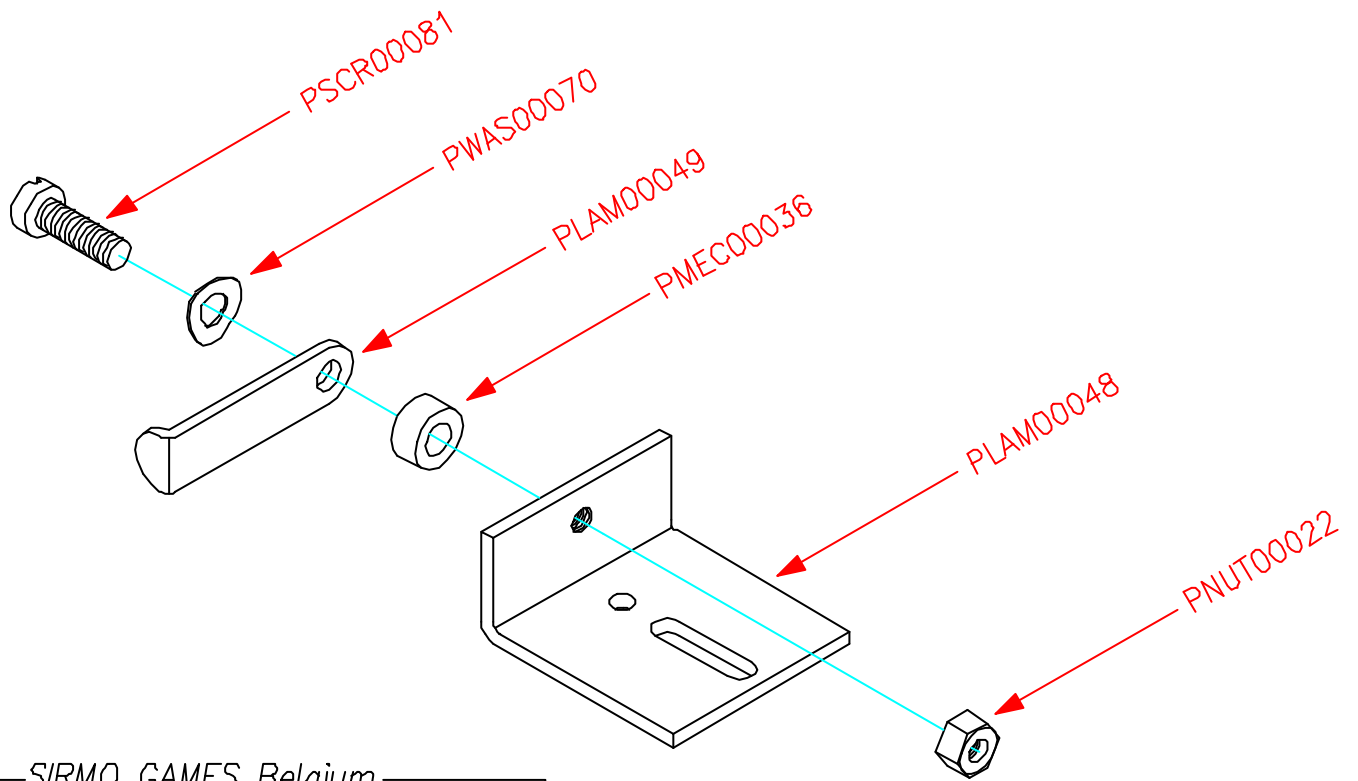
DESCRIPTION: ASSEMBLY HEAD TILT.

N°	COMPONENTS	Qty
1	PWOD00007r2	1
2	PLAM00037	1
3	PCON00188	2
4	PSCR00041	5
5	PWIR00023	4cm
6	PMEC00035	1
7	PCON00185	2
8	PMEC00034	2
9	PMEC00032	1
10	PLAM00035	1
11	PCON00189	1





SIRMO GAMES Belgium  
 DATE: 24-01-2002  
 REFERENCE: ASWTHEAD02  
 DESCRIPTION: ASSEMBLY HEAD SWITCH



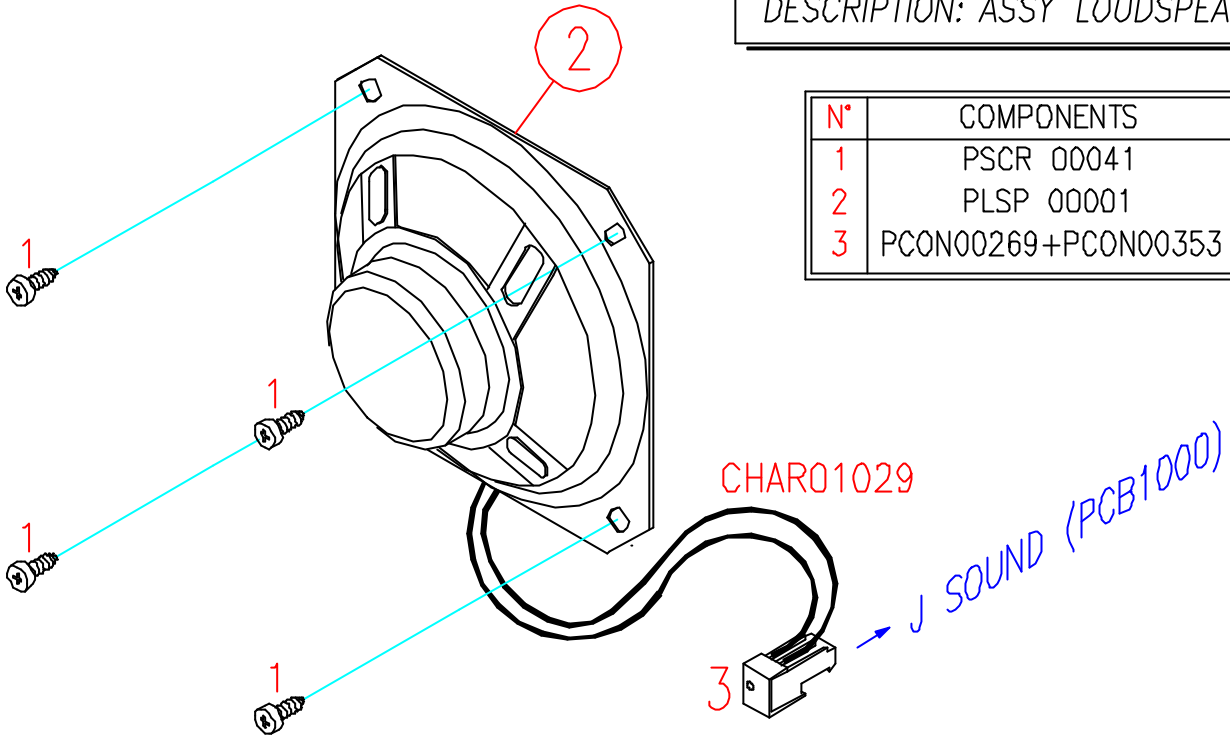
SIRMO GAMES Belgium  
 DATE: 20-01-1997  
 REFERENCE: ALOCKFR 01  
 DESCRIPTION: ASSEMBLY LOCK FRONT PANNEL

SIRMO GAMES Belgium.

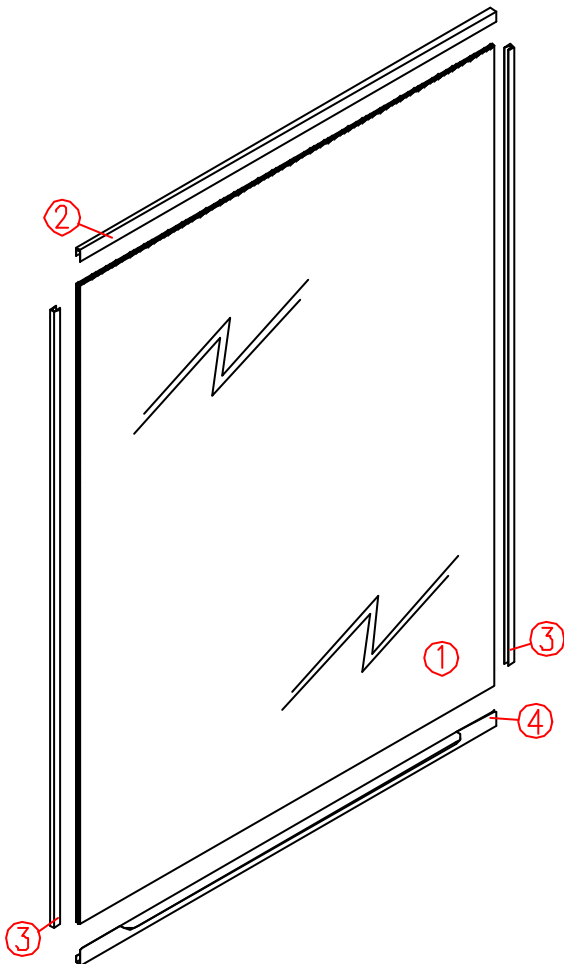
DATE: 29-01-2002

REFERENCE: ASPEAK 1000.

DESCRIPTION: ASSY LOUDSPEAKER.



N°	COMPONENTS	Qty
1	PSCR 00041	4
2	PLSP 00001	1
3	PCON00269+PCON00353	1



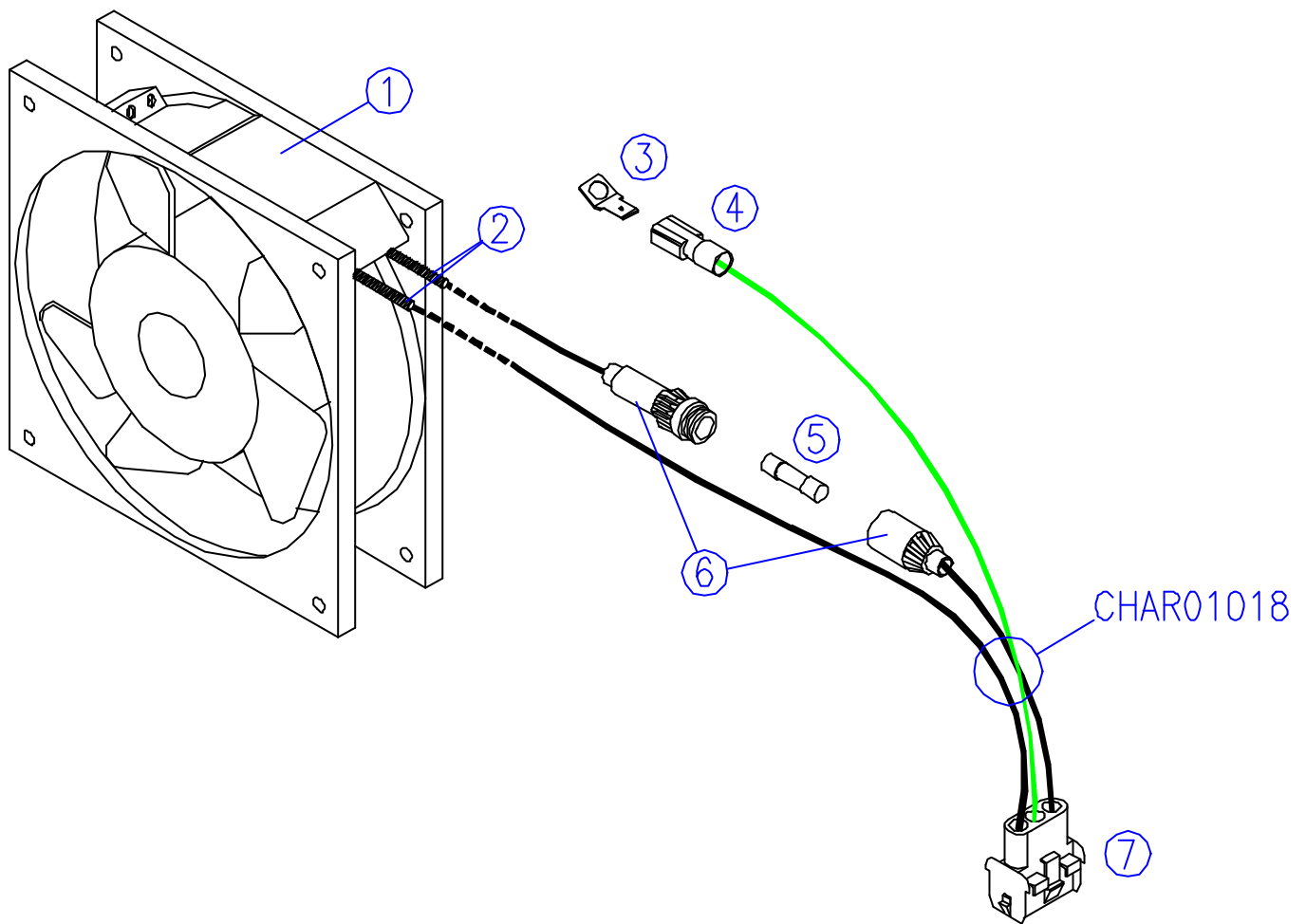
N°	COMPONENTS	Qty
1	PGLA-----	1
2	PLAM00115	1
3	PLAM00116	2
4	PLAM01007	1

SIRMO GAMES Belgium.

DATE: 24-01-2002

REFERENCE: AGLASS.

DESCRIPTION: ASSY GLASS.



N°	COMPONENTS	QTY
1	PFAN 00001	1
2	PPLA 00065	2
3	PCON 00188	1
4	PCON 00190	1
5	PFUS 00007	1
6	PFUS 00006	1
7	PCON 00102	1

**-SIRMO Games Belgium-**

DATE: Le 05-02-2002.

REFERENCE: AFAN 01000

DESCRIPTION: Assembly FAN 220Vac.

REF.PC.A:FAND1101