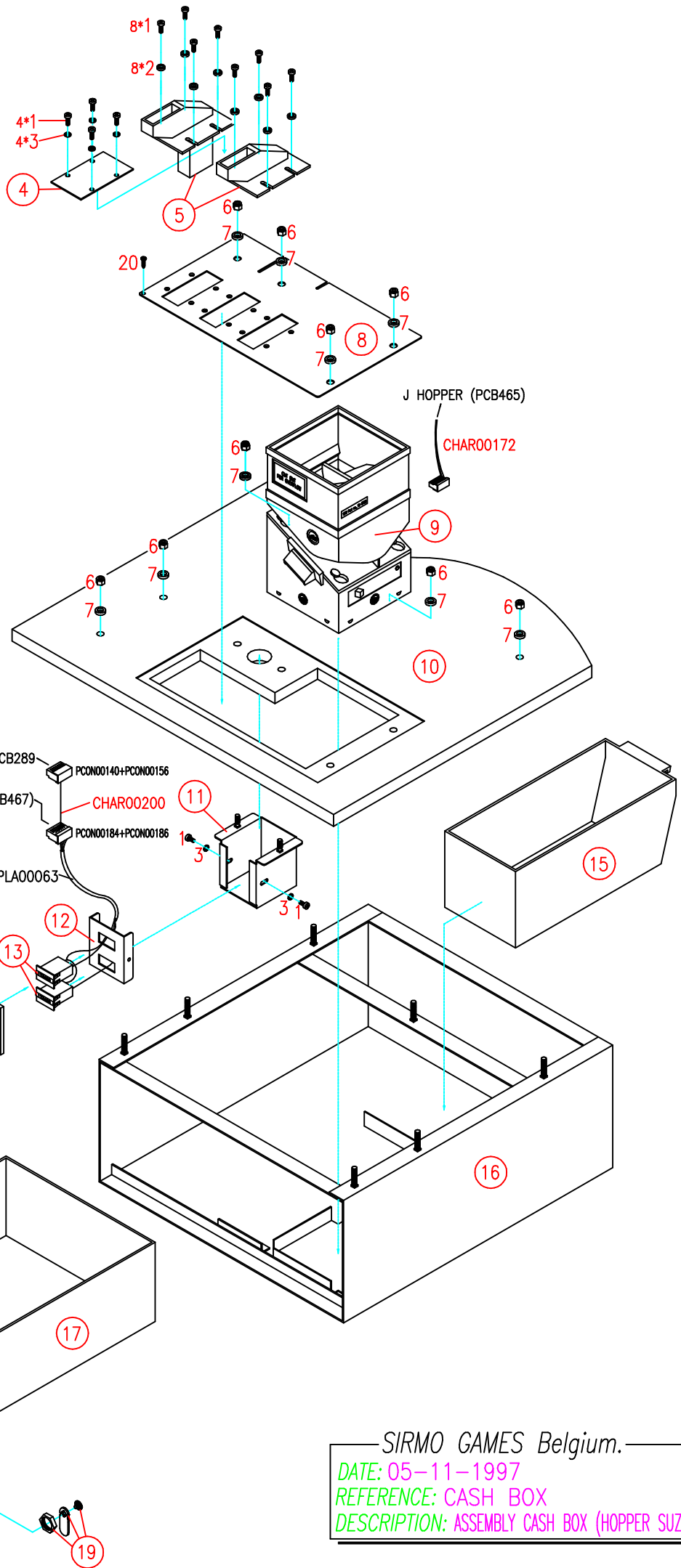


-NOVEMBRE 1997-

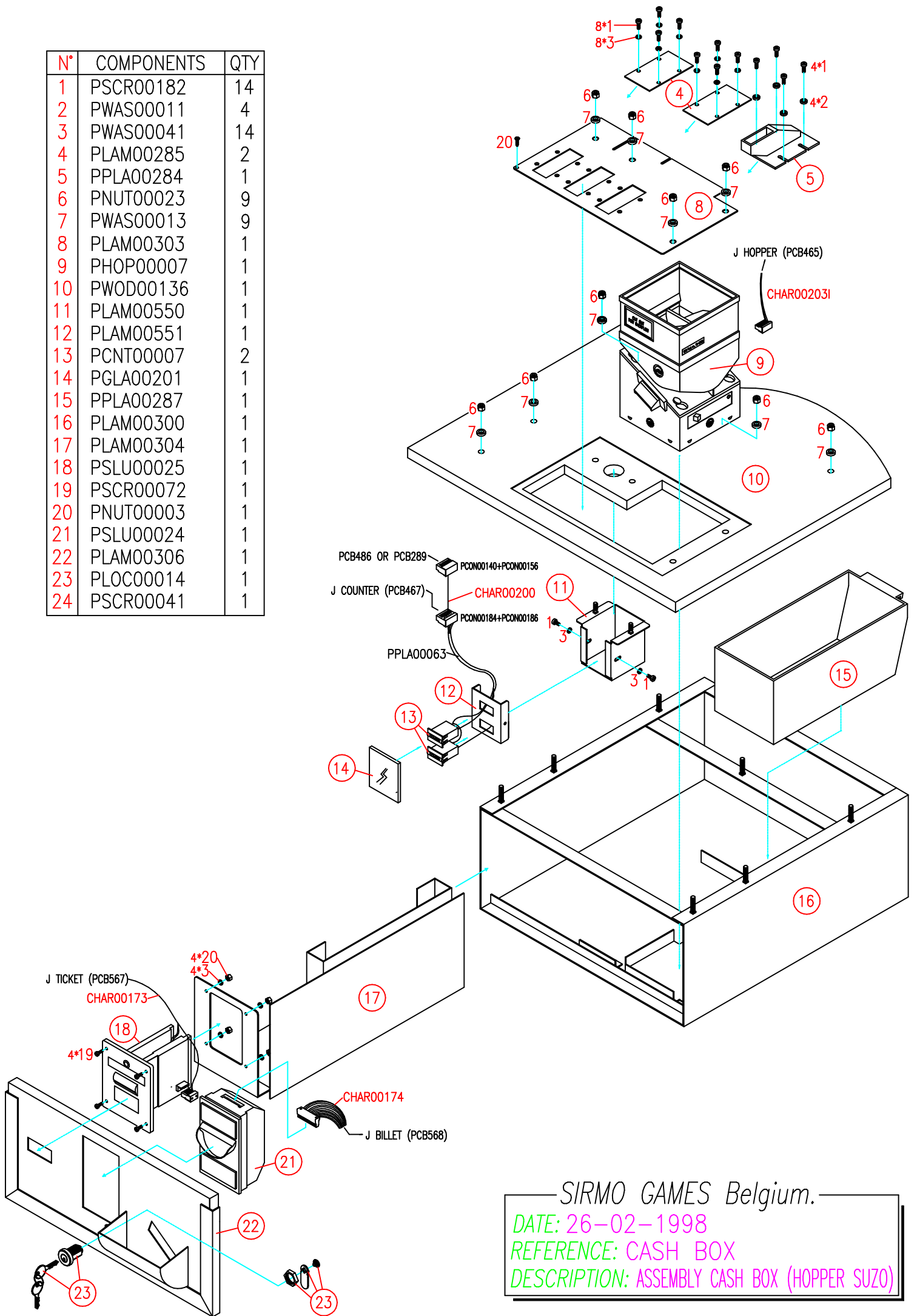
-PARTS CATALOG-

-PDOC 01611-

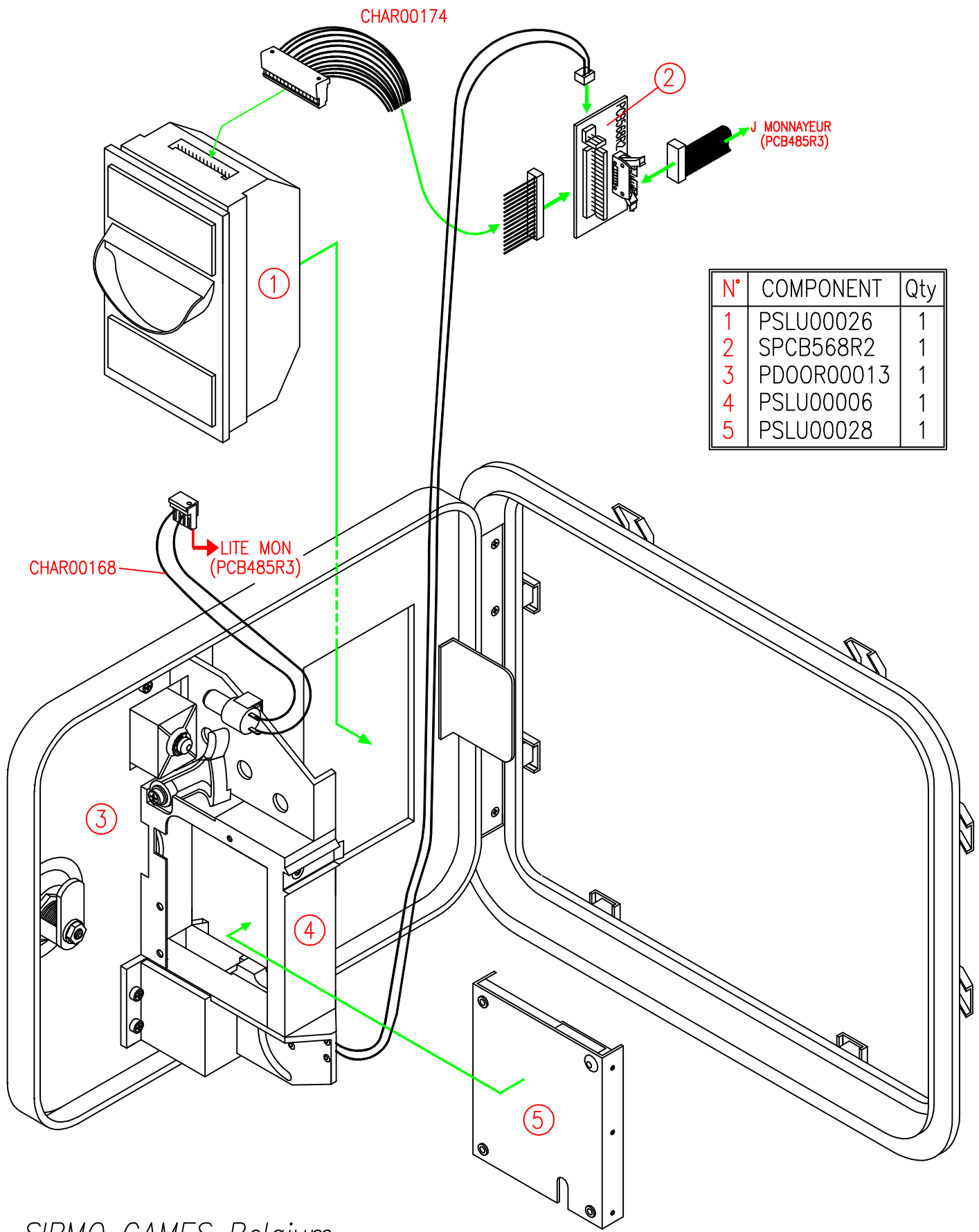
N°	COMPONENTS	QTY
1	PSCR00182	14
2	PWAS00011	8
3	PWAS00041	6
4	PLAM00285	1
5	PPLA00284	2
6	PNUT00023	9
7	PWAS00013	9
8	PLAM00303	1
9	PHOP00007	1
10	PWOD00136	1
11	PLAM00550	1
12	PLAM00551	1
13	PCNT00007	2
14	PGLA00201	1
15	PPLA00287	1
16	PLAM00300	1
17	PPLA00286	1
18	PLAM00301	1
19	PLOC00014	1
20	PSCR00041	1



N°	COMPONENTS	QTY
1	PSCR00182	14
2	PWAS00011	4
3	PWAS00041	14
4	PLAM00285	2
5	PPLA00284	1
6	PNUT00023	9
7	PWAS00013	9
8	PLAM00303	1
9	PHOP00007	1
10	PWOD00136	1
11	PLAM00550	1
12	PLAM00551	1
13	PCNT00007	2
14	PGLA00201	1
15	PPLA00287	1
16	PLAM00300	1
17	PLAM00304	1
18	PSLU00025	1
19	PSCR00072	1
20	PNUT00003	1
21	PSLU00024	1
22	PLAM00306	1
23	PLOC00014	1
24	PSCR00041	1



SIRMO GAMES Belgium.
 DATE: 26-02-1998
 REFERENCE: CASH BOX
 DESCRIPTION: ASSEMBLY CASH BOX (HOPPER SUZO)



N°	COMPONENT	Qty
1	PSLU00026	1
2	SPCB568R2	1
3	PD00R00013	1
4	PSLU00006	1
5	PSLU00028	1

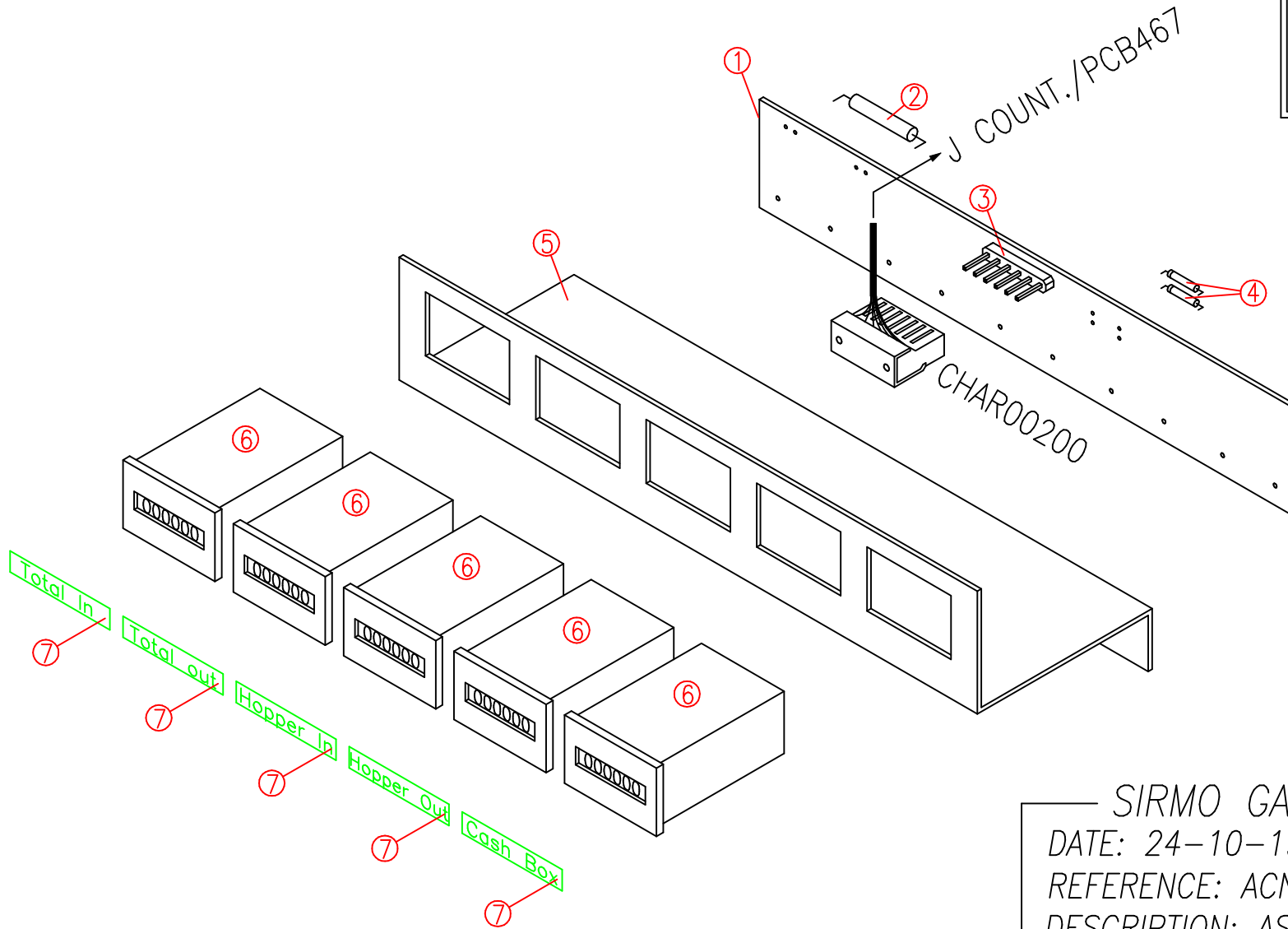
—SIRMO GAMES Belgium—

DATE: Le 02-10-1998.

REFERENCE: ADOOR 0013

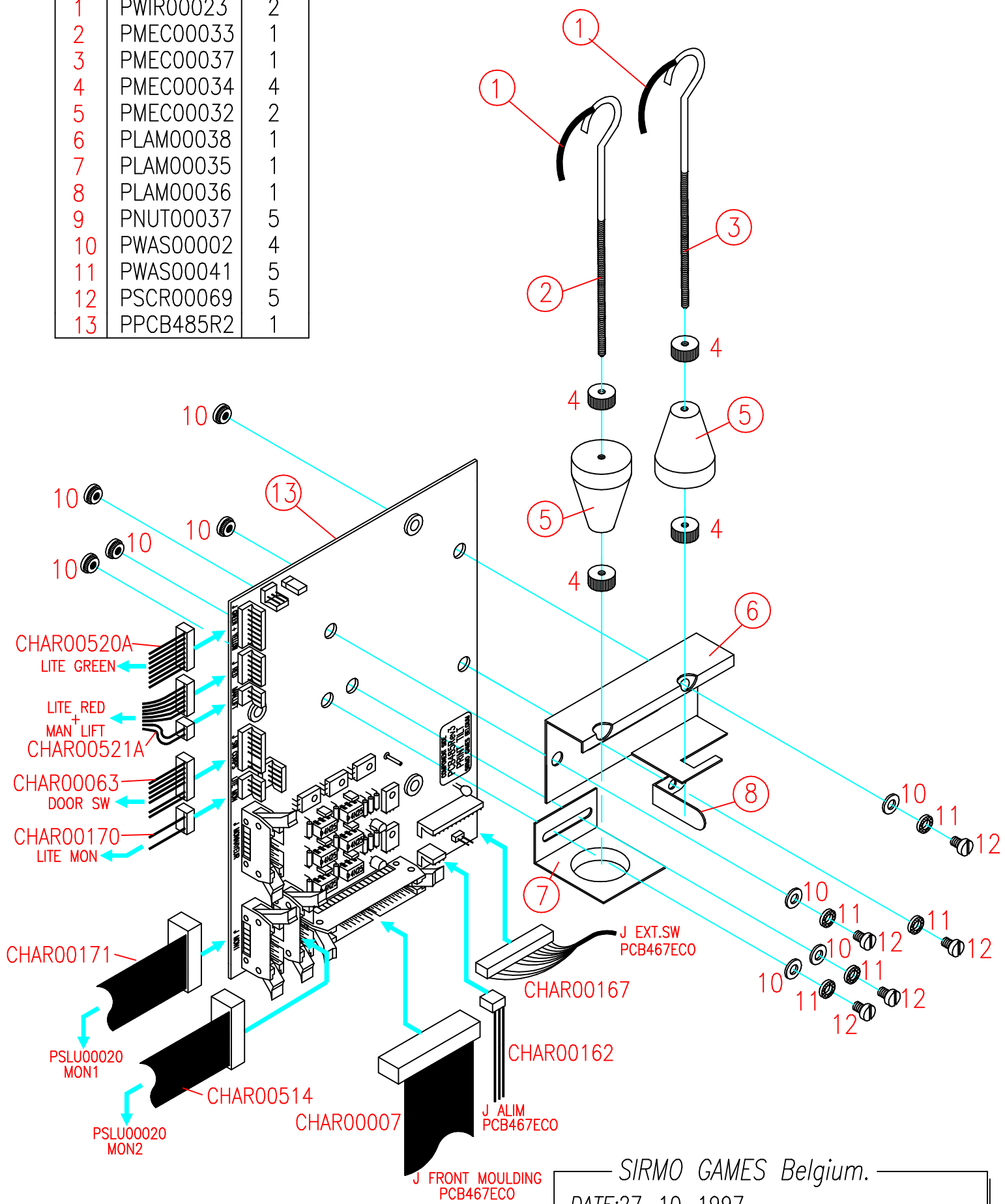
DESCRIPTION: DOOR ONE COIN ACCEPTOR ASSEMBLY

N°	COMPONENTS	Qty
1	PPCB486 OR PPCB289	1
2	PRES00R10	1
3	PCON00124	1
4	PDIO00002	2
5	PLAM00270 OR PLAM00197	1
6	PCNT00010 OR PCNT00002	5
7	PDOC00130 OR PDOC00131	1



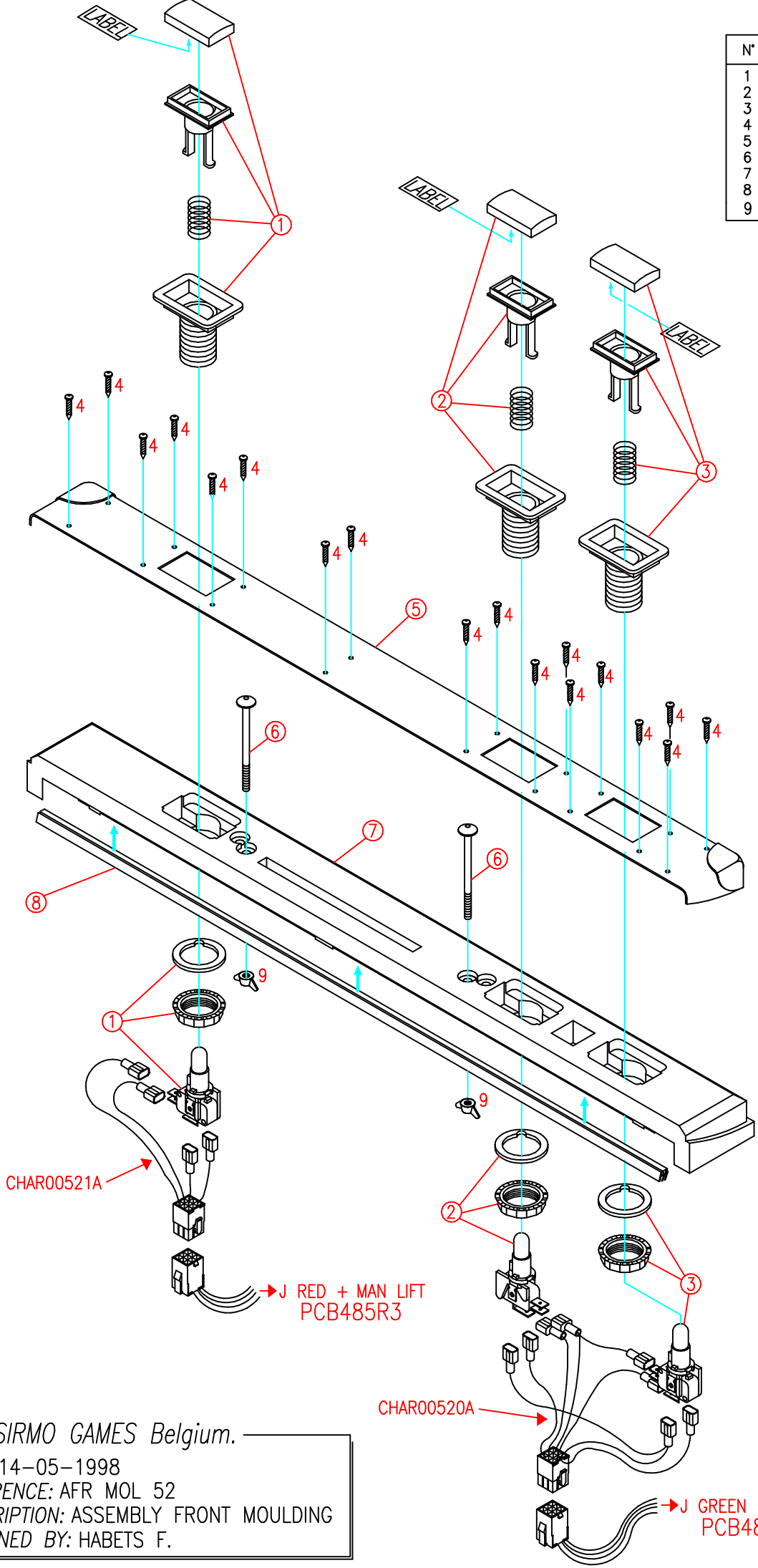
SIRMO GAMES Belgium.
 DATE: 24-10-1997
 REFERENCE: ACNT 00070
 DESCRIPTION: ASSEMBLY COUNTER

N°	COMPONENTS	Qty
1	PWIR00023	2
2	PMEC00033	1
3	PMEC00037	1
4	PMEC00034	4
5	PMEC00032	2
6	PLAM00038	1
7	PLAM00035	1
8	PLAM00036	1
9	PNUT00037	5
10	PWAS00002	4
11	PWAS00041	5
12	PSCR00069	5
13	PPCB485R2	1



SIRMO GAMES Belgium.
 DATE: 27-10-1997
 REFERENCE: SPCB485R3
 DESCRIPTION: PCB TILT 09/96 ASSY
 DESIGNED BY: HABETS F.

N°	COMPONENTS	Qty
1	PSWT00038	1
2	PSWT00039	1
3	PSWT00043	1
4	PNAI00005	18
5	PLAM00015R2	1
6	PBOL00013	2
7	PPOL00001M	1
8	PRUB00008	58.5cm
9	PNU00045	2



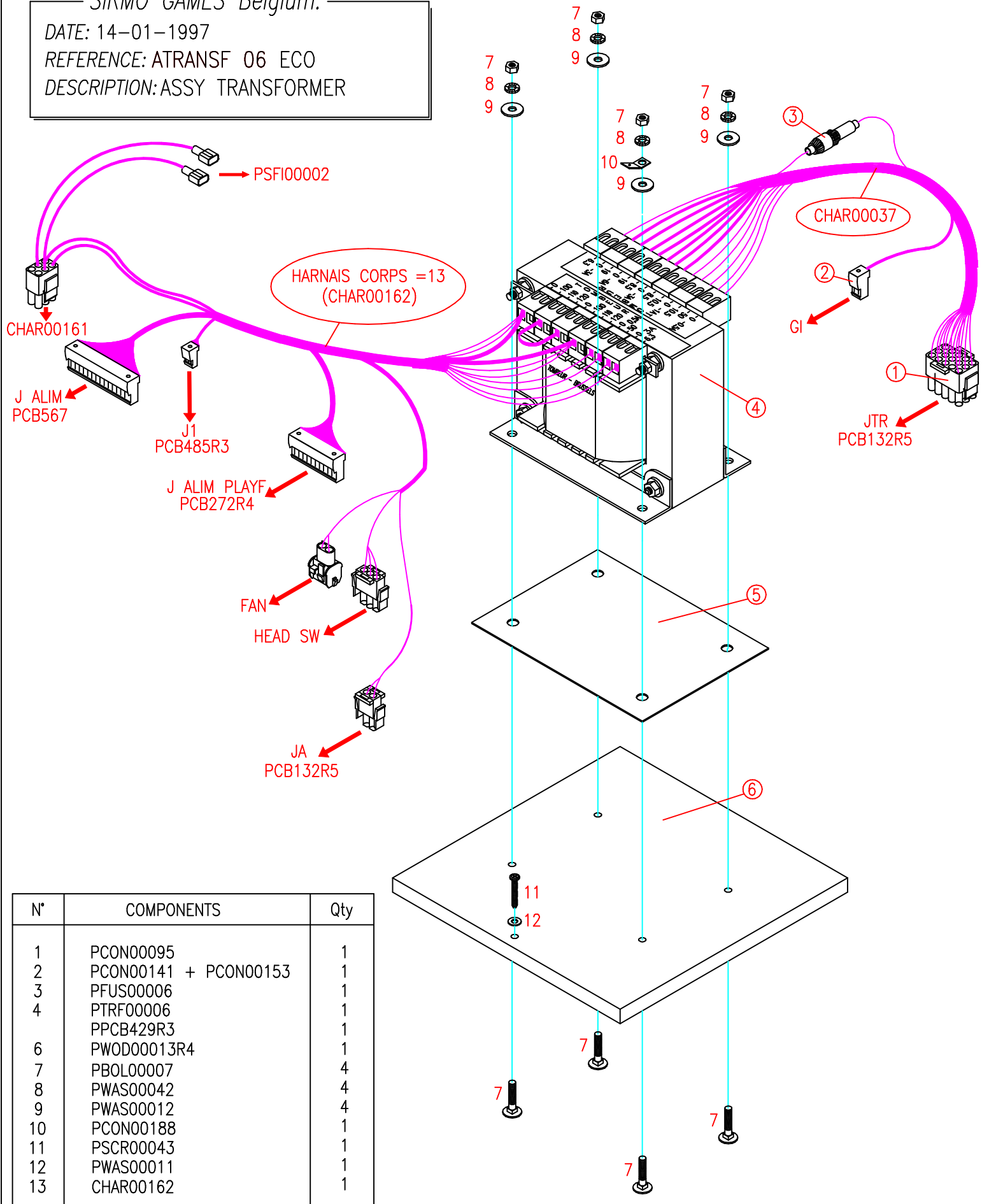
— SIRM O GAMES Belgium. —
 DATE: 14-05-1998
 REFERENCE: AFR MOL 52
 DESCRIPTION: ASSEMBLY FRONT MOULDING
 DESIGNED BY: HABETS F.

SIRMO GAMES Belgium.

DATE: 14-01-1997

REFERENCE: ATRANSF 06 ECO

DESCRIPTION: ASSY TRANSFORMER



HARNAIS CORPS =13
(CHAR00162)

CHAR00161
J ALIM
PCB567

J1
PCB485R3

J ALIM PLAYF
PCB272R4

FAN
HEAD SW

JA
PCB132R5

CHAR00037

JTR
PCB132R5

GI

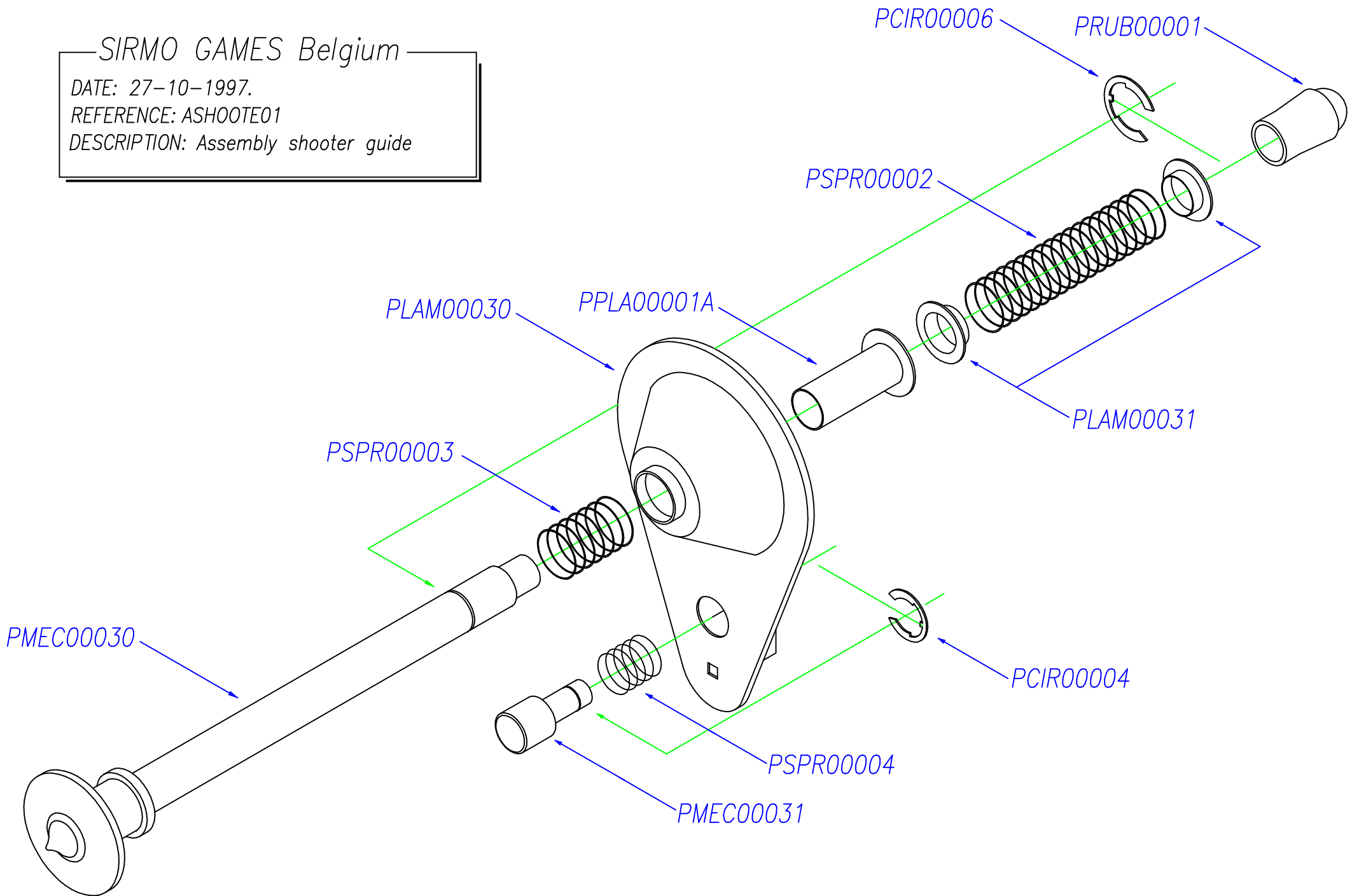
N°	COMPONENTS	Qty
1	PCON00095	1
2	PCON00141 + PCON00153	1
3	PFUS00006	1
4	PTRF00006	1
	PPCB429R3	1
6	PWOD00013R4	1
7	PBOL00007	4
8	PWAS00042	4
9	PWAS00012	4
10	PCON00188	1
11	PSCR00043	1
12	PWAS00011	1
13	CHAR00162	1

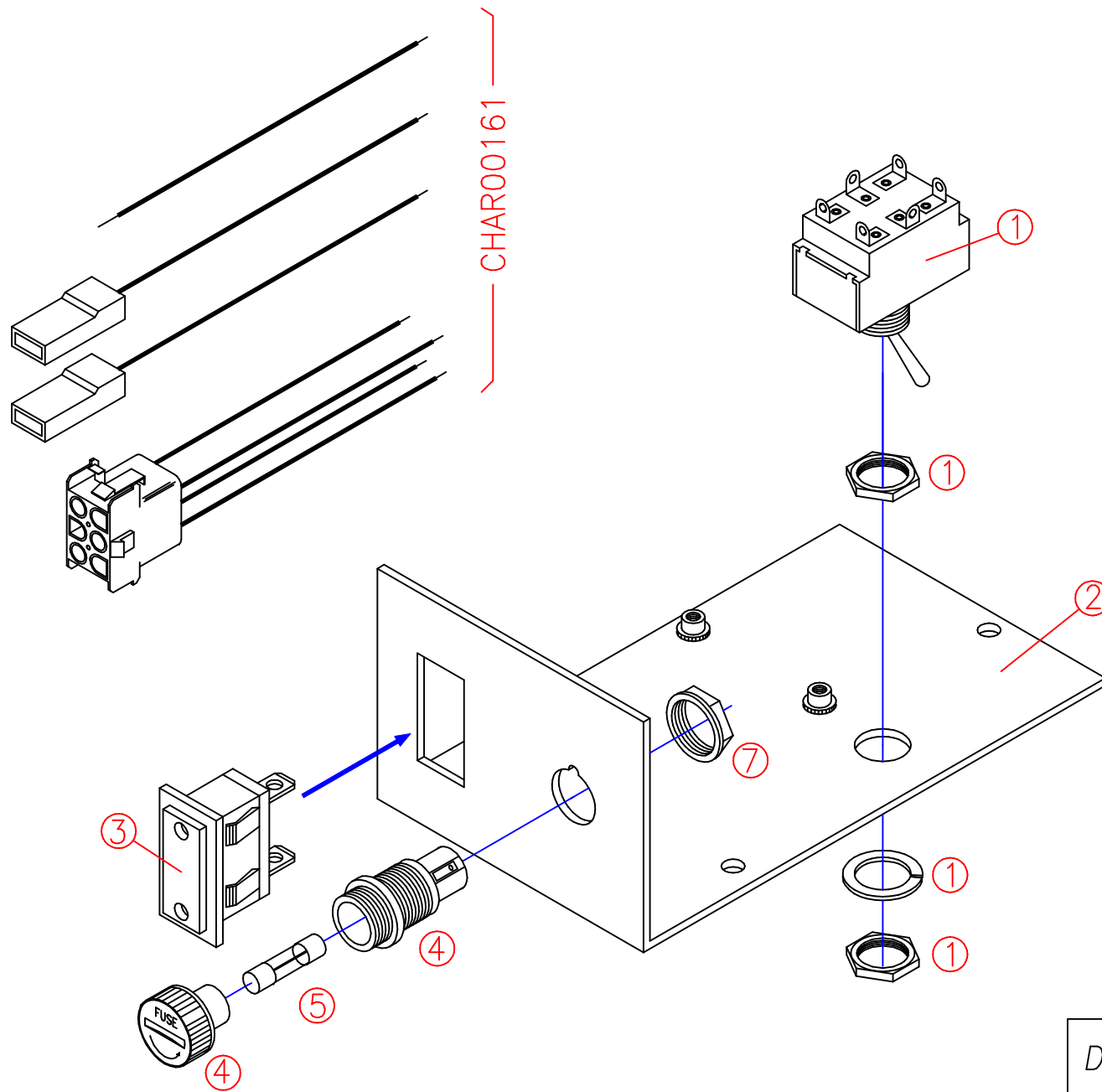
SIRMO GAMES Belgium

DATE: 27-10-1997.

REFERENCE: ASHOOTE01

DESCRIPTION: Assembly shooter guide

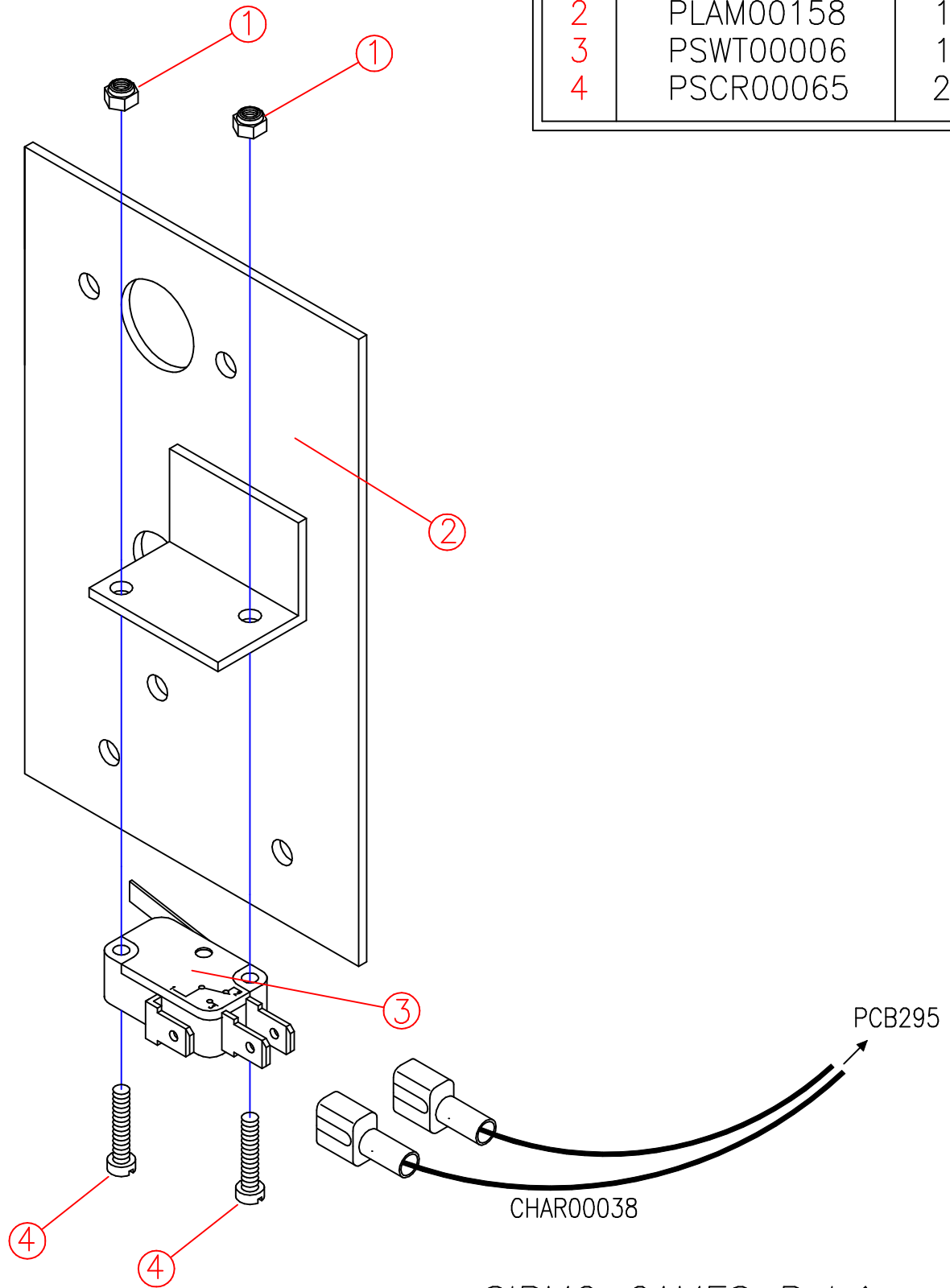




N°	COMPONENTS	Qty
1	PSWT00004	1
2	PLAM00128	1
3	PCON00198	1
4	PFUS00013	1
5	PFUS00002	1

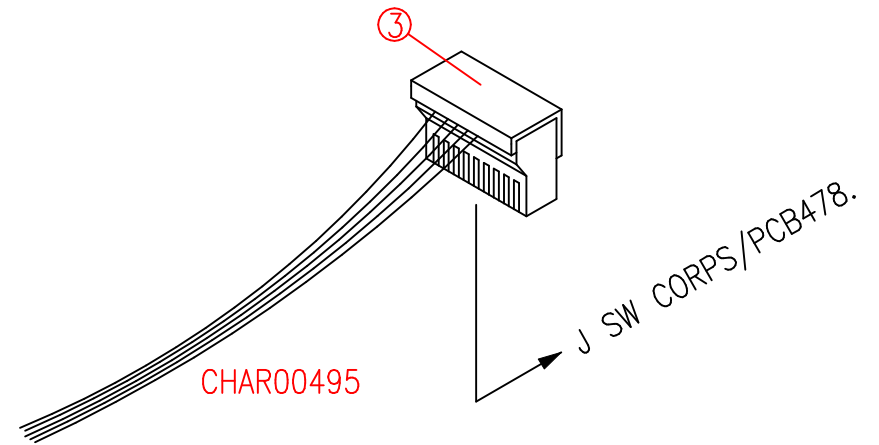
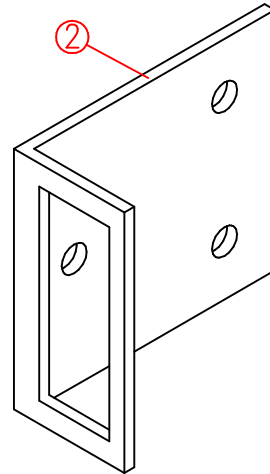
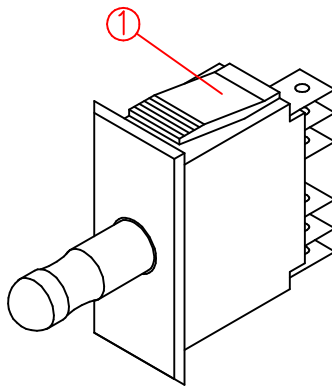
— SIRMO GAMES Belgium. —
 DATE: 14-10-1997
 REFERENCE: ASECBOX 03.
 DESCRIPTION: ASSY SECTOR BOX WITHOUT FILTER

N°	COMPONENTS	Qty
1	PNUT00020	2
2	PLAM00158	1
3	PSWT00006	1
4	PSCR00065	2

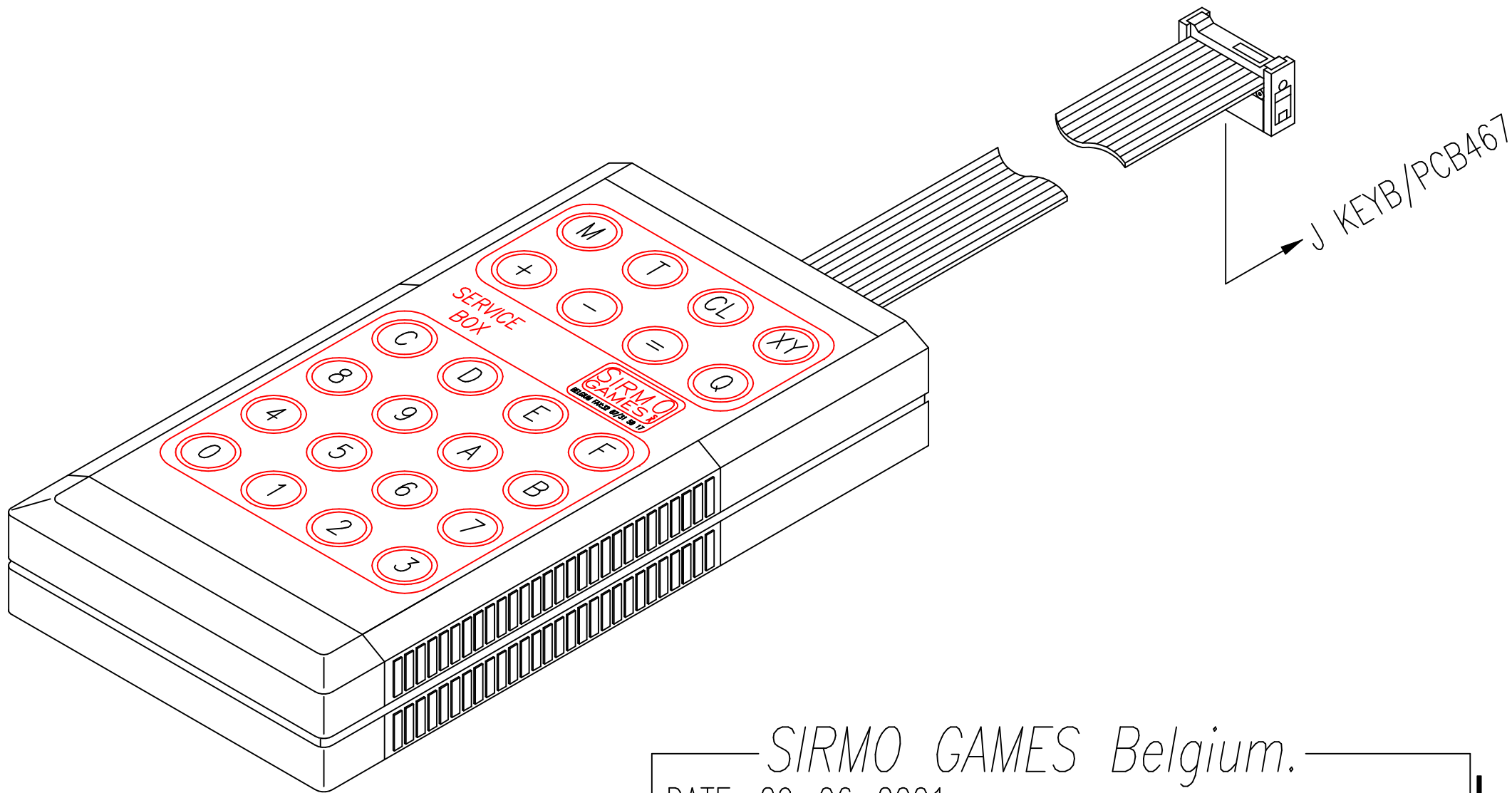


SIRMO GAMES Belgium.
 DATE: 06-06-1995.
 REFERENCE: AMAN LIF 01
 DESCRIPTION: ASSY MANLIFT.

N°	COMPONENTS	Qty
1	PSWT00013	1
2	PLAM00181	1
3	PCON00272+PCON00358	1



SIRMO GAMES Belgium.
 DATE: 06-06-1995.
 REFERENCE: ADORSWT02
 DESCRIPTION: ASSY DOOR SWITCH.

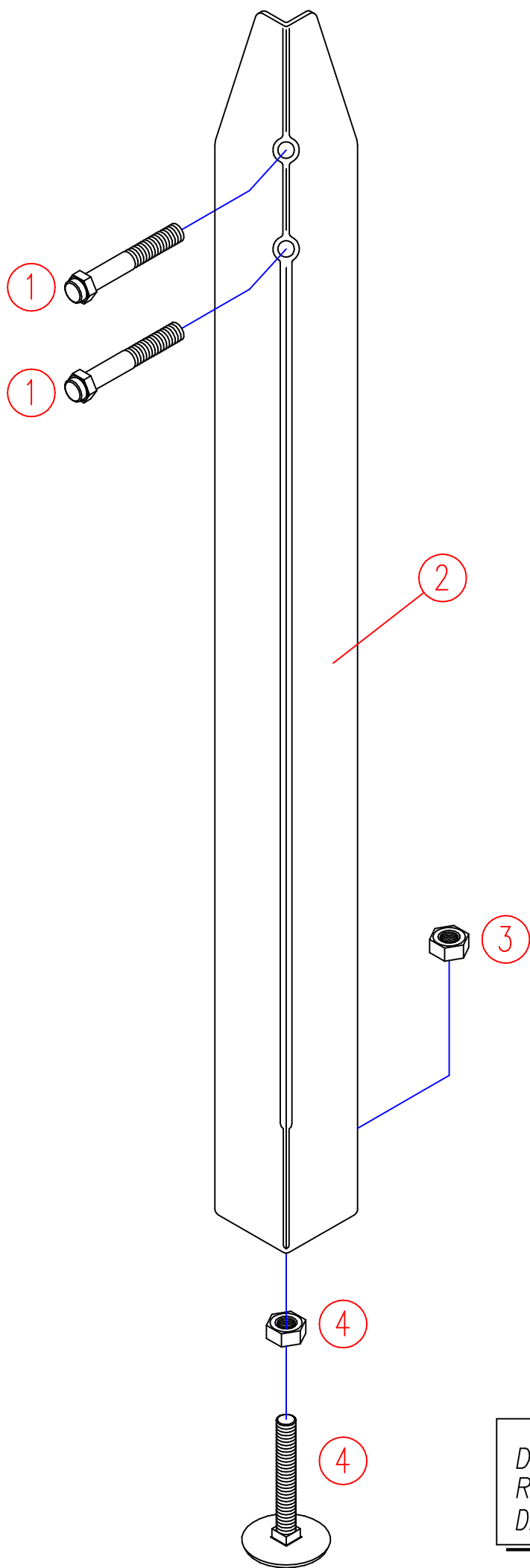


SIRMO GAMES Belgium.

DATE: 29-06-2001

REFERENCE: SPCB093

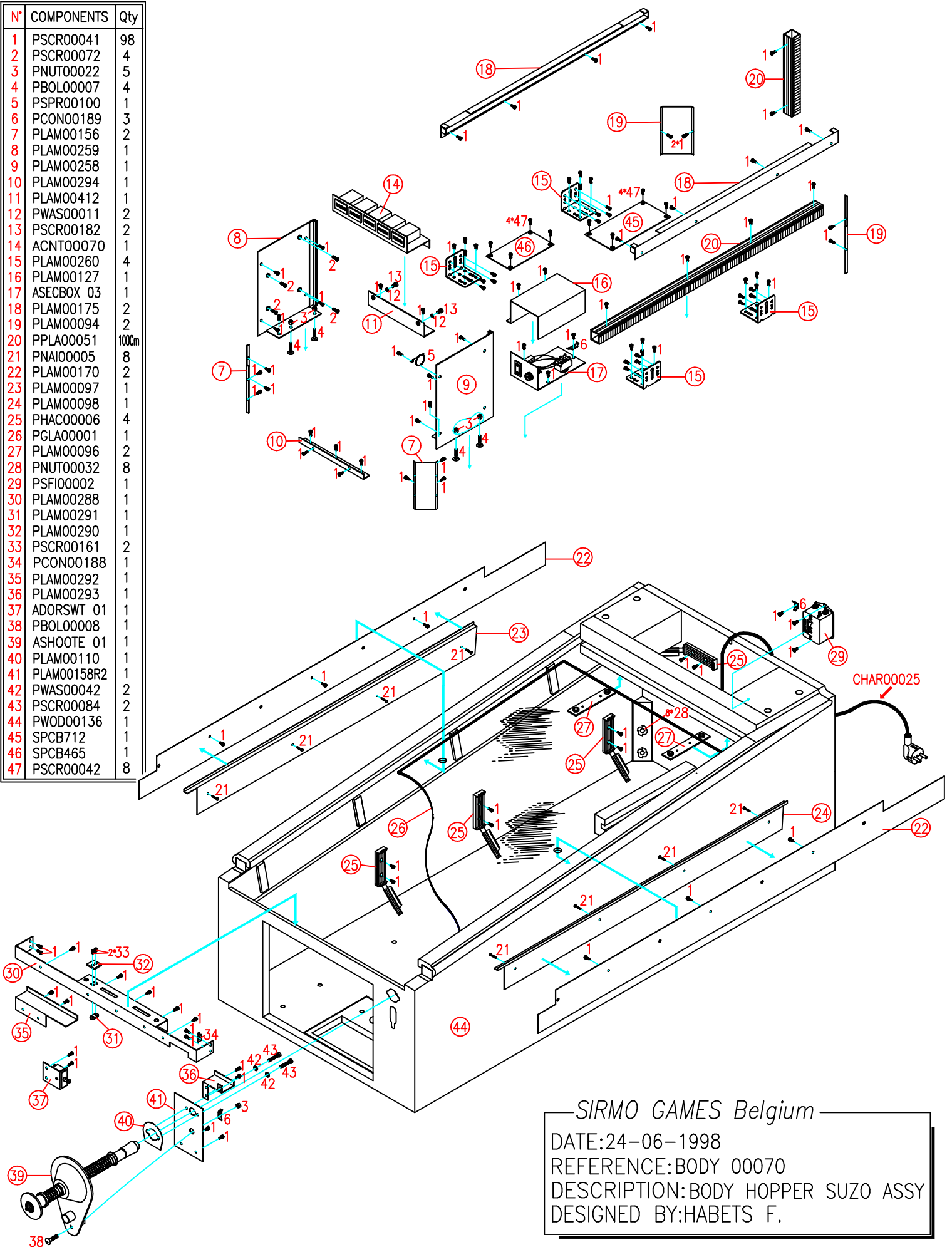
DESCRIPTION: ASSY KEYBOARD 093 NEW



N°	COMPONENTS	Qty
1	PMEC00052	2
2	PLAM00114r2	1
3	PNUT00007	1
4	PMEC00051	1

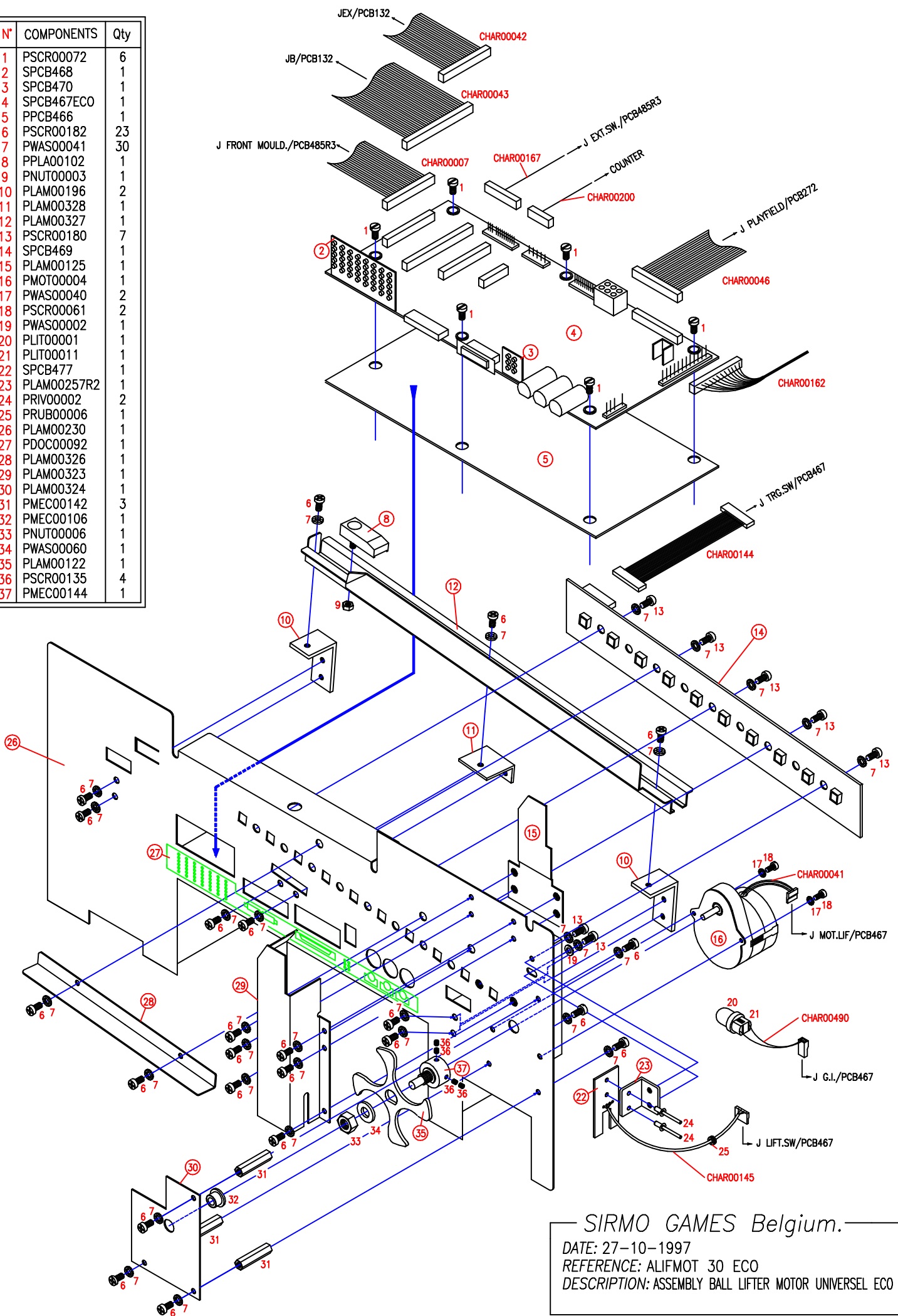
— SIRMO GAMES Belgium. —
 DATE: 21-01-2001.
 REFERENCE: AFOT 01.
 DESCRIPTION: ASSY FOOT BODY SIRMO.

N°	COMPONENTS	Qty
1	PSCR00041	98
2	PSCR00072	4
3	PNU00022	5
4	PBOL00007	4
5	PSPR00100	1
6	PCON00189	3
7	PLAM00156	2
8	PLAM00259	1
9	PLAM00258	1
10	PLAM00294	1
11	PLAM00412	1
12	PWAS00011	2
13	PSCR00182	2
14	ACNT00070	4
15	PLAM00260	1
16	PLAM00127	1
17	ASECBOX 03	1
18	PLAM00175	2
19	PLAM00094	2
20	PPLA00051	100Cm
21	PNAI00005	8
22	PLAM00170	2
23	PLAM00097	1
24	PLAM00098	1
25	PHAC00006	4
26	PGLA00001	1
27	PLAM00096	2
28	PNU00032	8
29	PSFIO0002	1
30	PLAM00288	1
31	PLAM00291	1
32	PLAM00290	1
33	PSCR00161	2
34	PCON00188	1
35	PLAM00292	1
36	PLAM00293	1
37	ADORSWT 01	1
38	PBOL00008	1
39	ASHOOTE 01	1
40	PLAM00110	1
41	PLAM00158R2	1
42	PWAS00042	2
43	PSCR00084	1
44	PWOD00136	1
45	SPCB712	1
46	SPCB465	1
47	PSCR00042	8

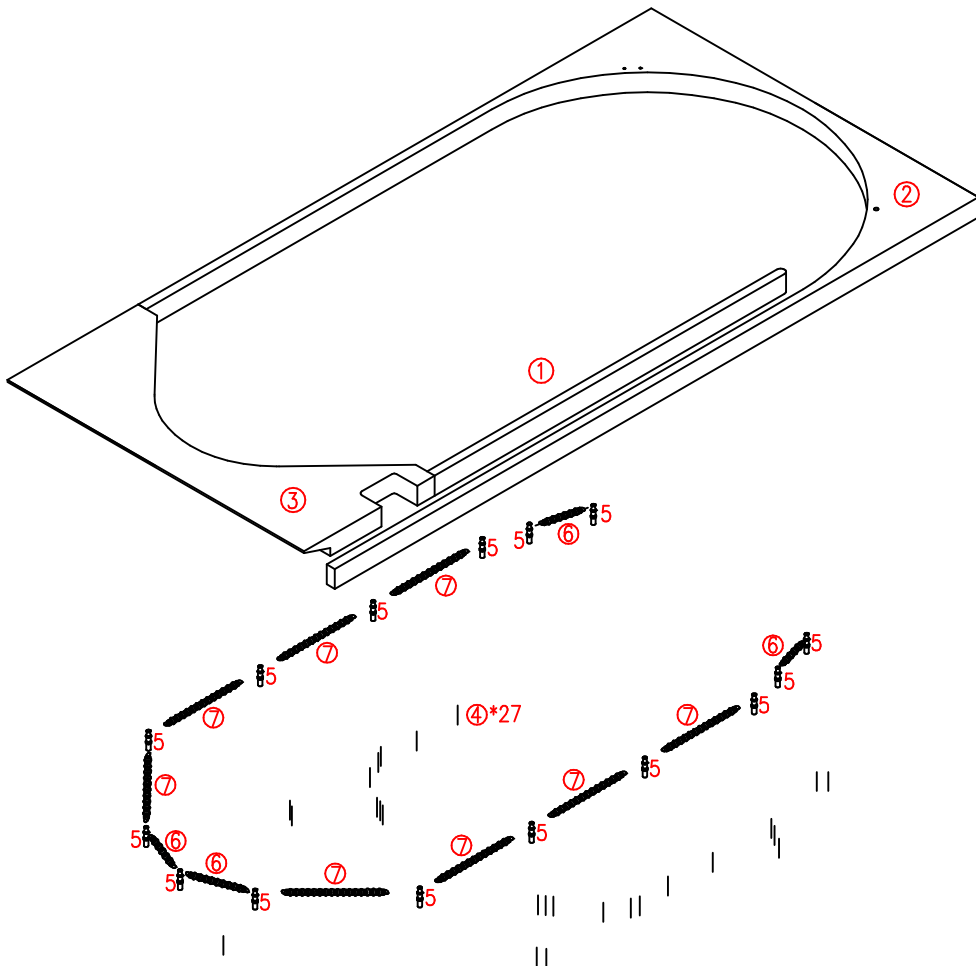


—SIRMO GAMES Belgium—
 DATE:24-06-1998
 REFERENCE:BODY 00070
 DESCRIPTION:BODY HOPPER SUZO ASSY
 DESIGNED BY:HABETS F.

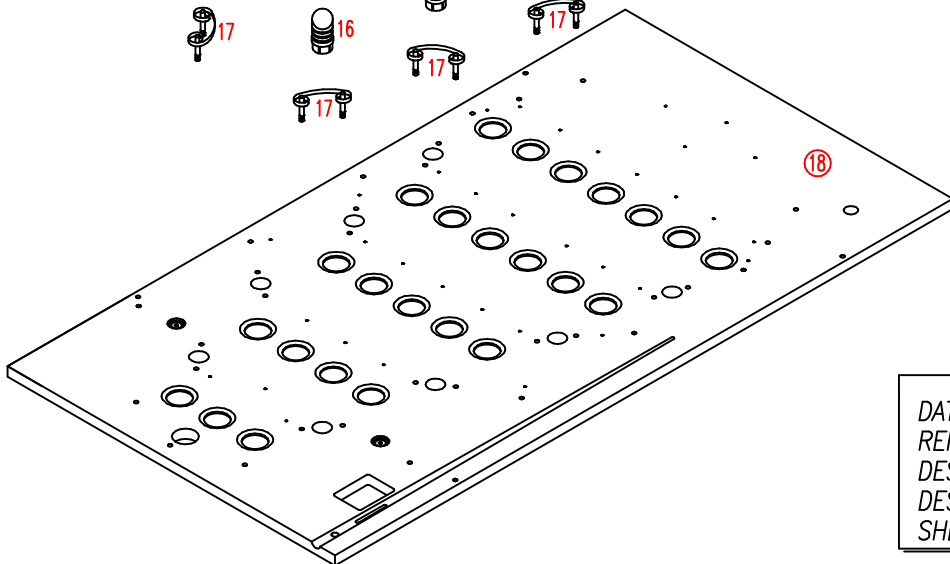
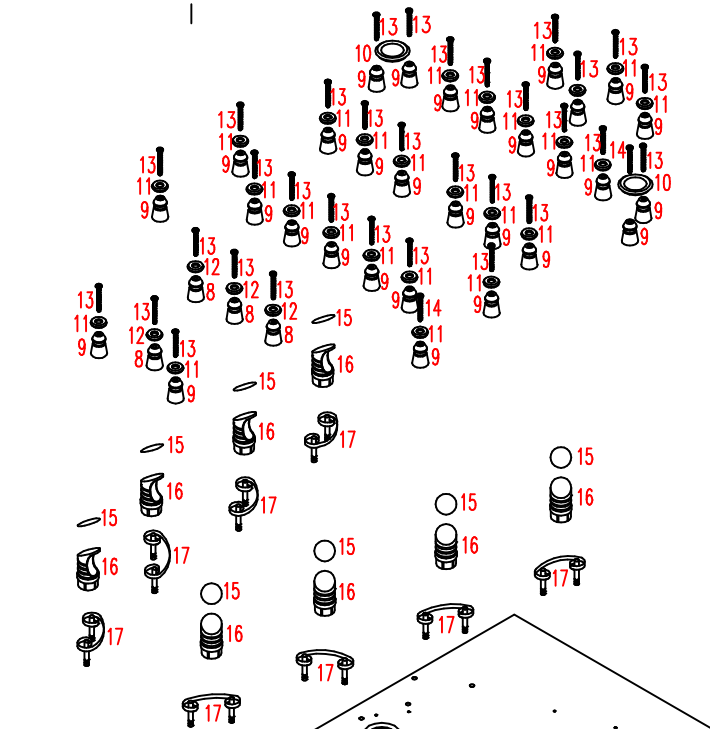
N°	COMPONENTS	Qty
1	PSCR00072	6
2	SPCB468	1
3	SPCB470	1
4	SPCB467ECO	1
5	PPCB466	1
6	PSCR00182	23
7	PWAS00041	30
8	PPLA00102	1
9	PNU00003	1
10	PLAM00196	2
11	PLAM00328	1
12	PLAM00327	1
13	PSCR00180	7
14	SPCB469	1
15	PLAM00125	1
16	PMOT00004	1
17	PWAS00040	2
18	PSCR00061	2
19	PWAS00002	1
20	PLIT00001	1
21	PLIT00011	1
22	SPCB477	1
23	PLAM00257R2	1
24	PRIV00002	2
25	PRUB00006	1
26	PLAM00230	1
27	PDOC00092	1
28	PLAM00326	1
29	PLAM00323	1
30	PLAM00324	1
31	PMEC00142	3
32	PMEC00106	1
33	PNU00006	1
34	PWAS00060	1
35	PLAM00122	1
36	PSCR00135	4
37	PMEC00144	1



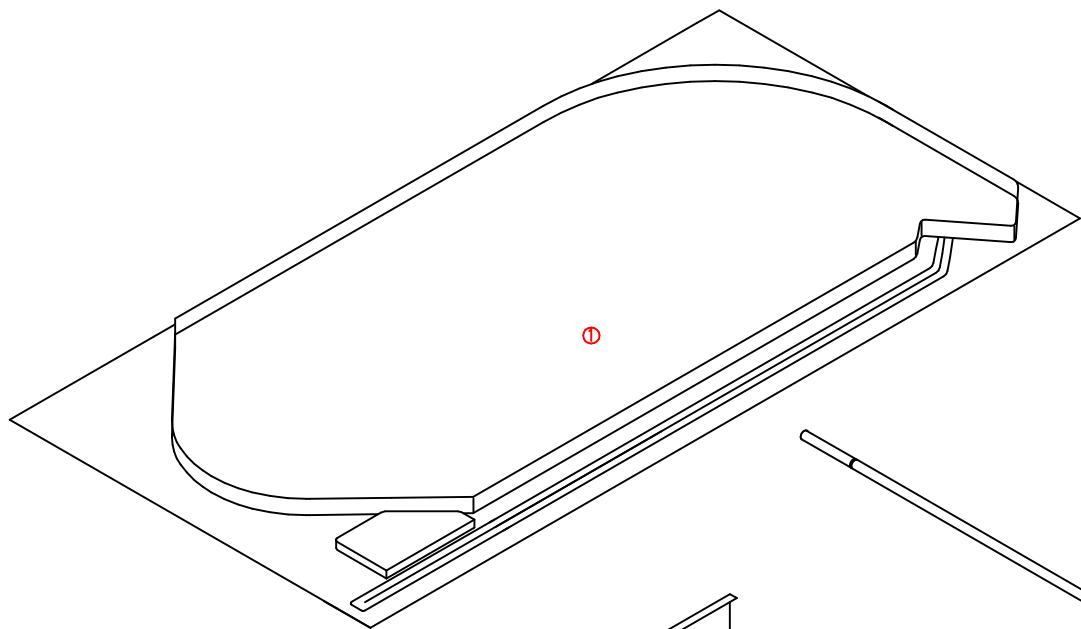
SIRMO GAMES Belgium.
 DATE: 27-10-1997
 REFERENCE: ALIFMOT 30 ECO
 DESCRIPTION: ASSEMBLY BALL LIFTER MOTOR UNIVERSEL ECO



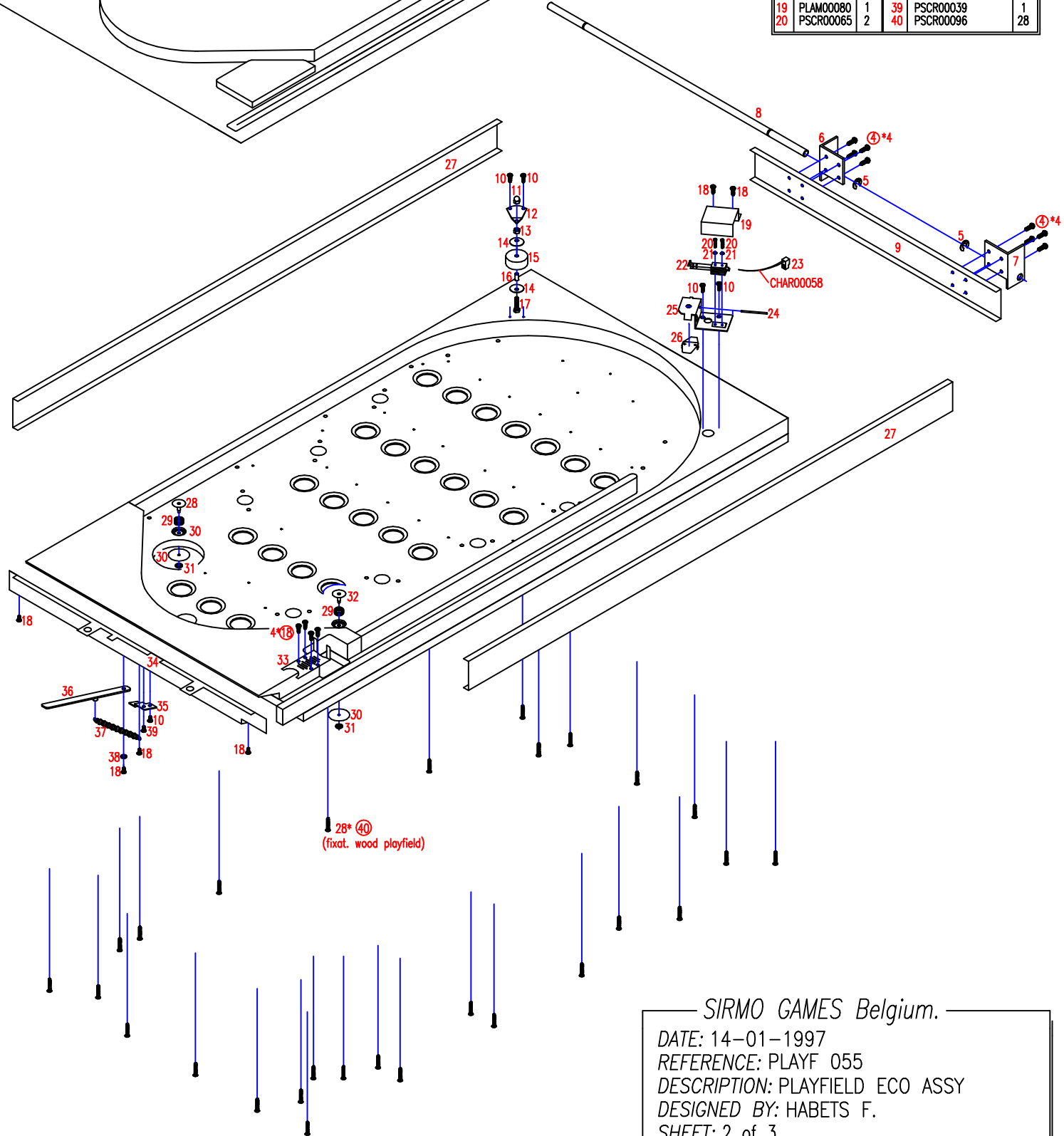
N°	COMPONENTS	Qty
01	PWOD00005	1
02	PWOD00006	1
03	PWOD00034	1
04	PNAI00030	27
05	PNAI00031	15
06	PSPR00010	4
07	PSPR00011	8
08	PPLA00007	4
09	PPLA00008	30
10	PRUB00003	2
11	PRUB00004	26
12	PRUB00005	4
13	PSCR00045	32
14	PSCR00044	2
15	PPLA00040	8
16	PPLA00009	8
17	PSPR00009	8
18	PPOL00063	1



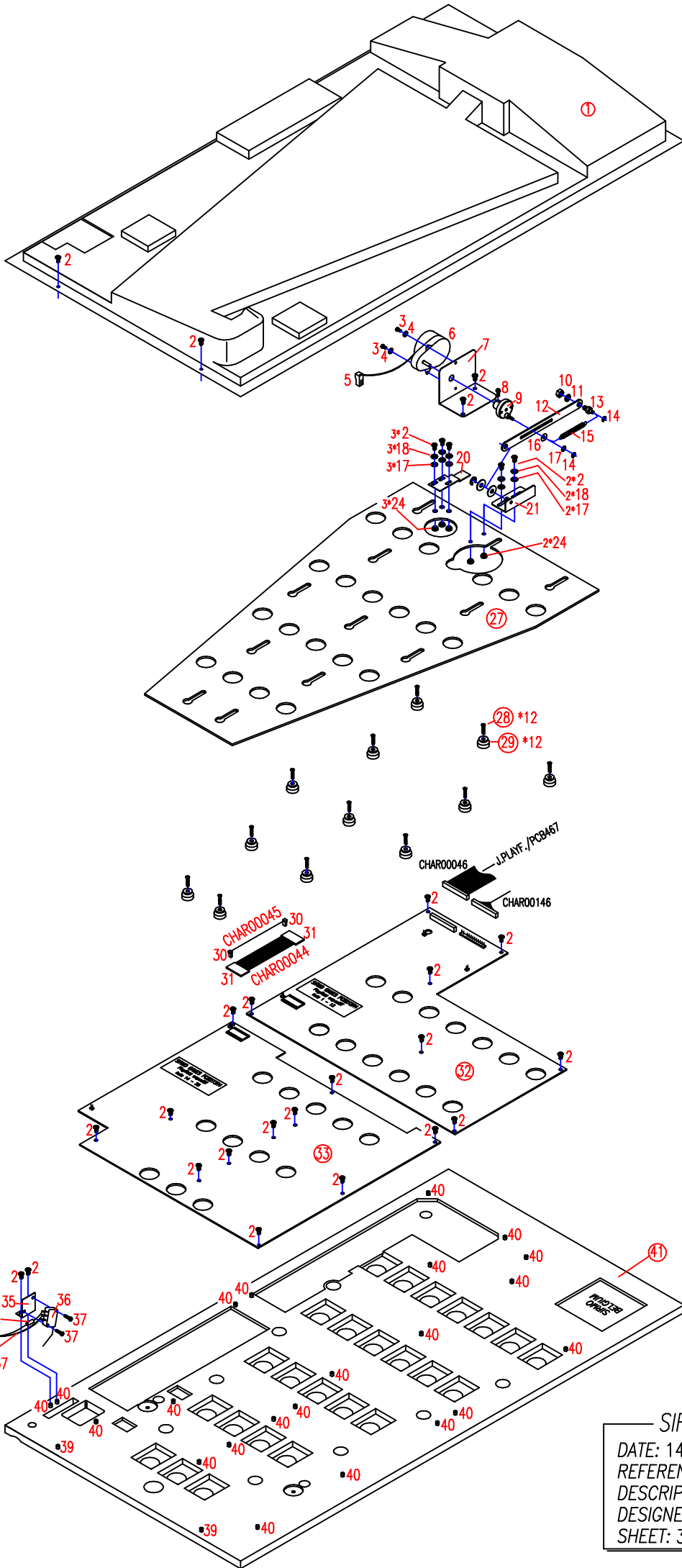
SIRMO GAMES Belgium.
 DATE: 14-01-1997
 REFERENCE: PLAYF 055
 DESCRIPTION: PLAYFIELD ECO ASSY
 DESIGNED BY: HABETS F.
 SHEET: 1 of 3



N°	COMPONENTS	Qty	N°	COMPONENTS	Qty
1	PPLA00152	1	21	PWAS0001	2
4	PSCRO0046	8	22	PSWT00011	1
5	PCIRO0006	2	23	PCON00269+PCON00353	1
6	PLAM00180	1	24	PMECO0100	1
7	PLAM00179	1	25	PLAM00053	1
8	PMECO0126	1	26	PLAM00054	1
9	PLAM00174	1	27	PLAM00173	2
10	PSCRO0041	5	28	PPLA00029	1
11	PNU000040	1	29	PSPRO0012	2
12	PLAM00059	1	30	PLAM00143	2
13	PNU000004	1	31	PCIRO0031	2
14	PLAM00060	2	32	PPLA00028	1
15	PRUB000002	1	33	PLAM00081	1
16	PMECO0053	1	34	PLAM00289	1
17	PSCRO0156	1	35	PLAM00084	1
18	PSCRO0040	10	36	PLAM00083	1
19	PLAM00080	1	37	PSPRO0010	1
20	PSCRO0065	2	38	PWAS00011	1
			39	PSCRO0039	1
			40	PSCRO0096	28



SIRMO GAMES Belgium.
 DATE: 14-01-1997
 REFERENCE: PLAYF 055
 DESCRIPTION: PLAYFIELD ECO ASSY
 DESIGNED BY: HABETS F.
 SHEET: 2 of 3



N°	COMPONENTS	Qty
1	PPLA00049	1
2	PSCR00182	29
3	PSCR00061	2
4	PWAS00040	2
5	PCON00141+PCON00153	1
6	PMOT00003	1
7	PLAM00056	1
8	PSCR00106	1
9	PMEC00054	1
10	PNUT00005	1
11	PWAS00043	1
12	PLAM00153	1
13	PMEC00039	1
14	PCIR00002	2
15	PSPR00005	1
16	PWAS00011	1
17	PWAS00002	8
18	PWAS00041	7
20	PLAM00200	1
21	PLAM00051	1
22	PCIR00004	1
23	PWAS00013	2
24	PNUT00037	5
27	PWOD00003	1
28	PSCR00095	12
29	PPLA00020	12
30	PCON00141+PCON00153	2
31	PCON00014	2
32	SPCB272 REV4	1
33	SPCB273 REV4	1
35	PLAM00185	1
36	PSWT00008	1
37	PSCR00065	2
38	PCON00269+PCON00353	1
39	PNUT00041	2
40	PNUT00038	22
41	PPOL00063	1
42	PRES000E01	1

— SIRMO GAMES Belgium. —
 DATE: 14-01-1997
 REFERENCE: PLAYF 055
 DESCRIPTION: PLAYFIELD ECO ASSY
 DESIGNED BY: HABETS F.
 SHEET: 3 of 3

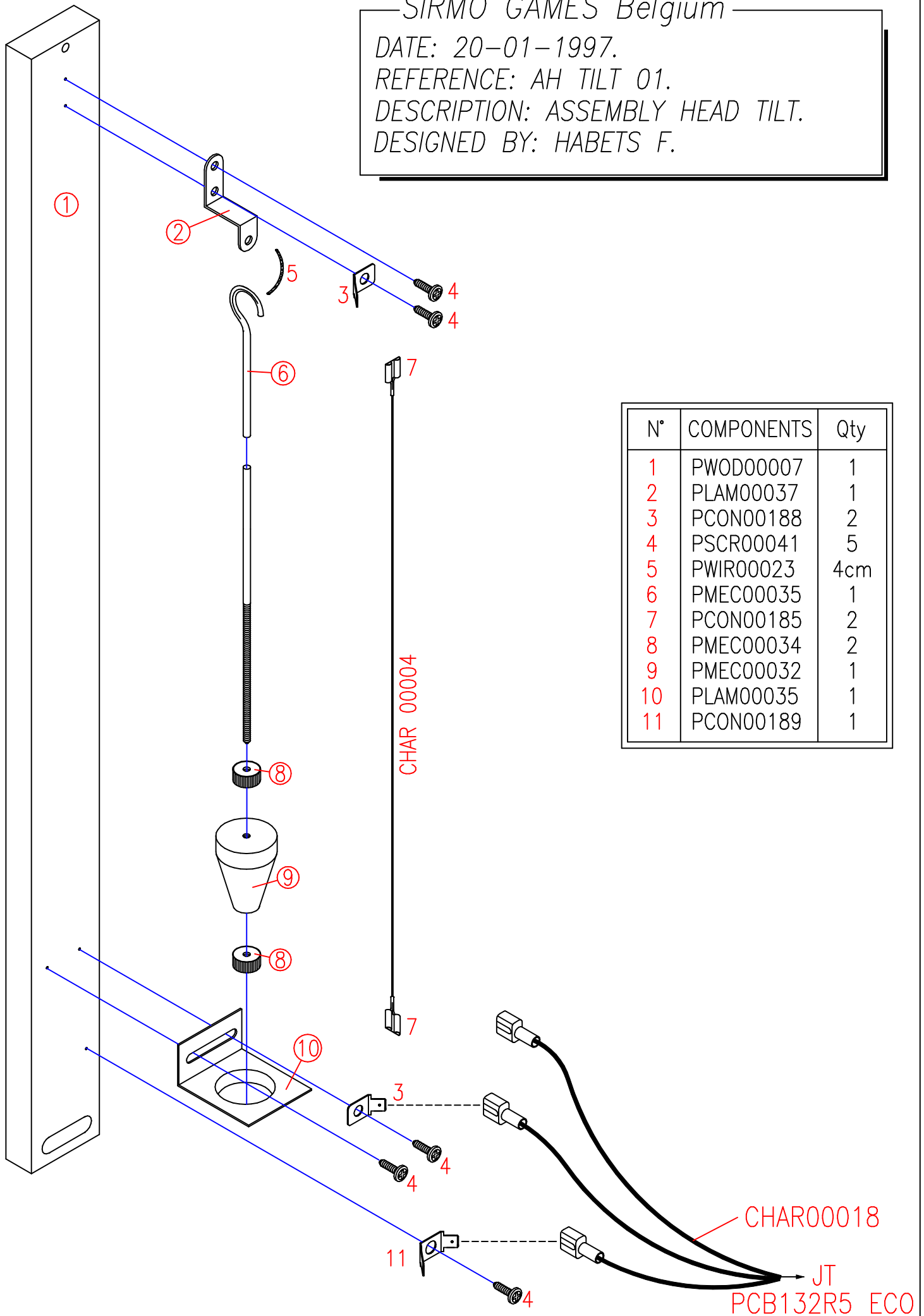
SIRMO GAMES Belgium

DATE: 20-01-1997.

REFERENCE: AH TILT 01.

DESCRIPTION: ASSEMBLY HEAD TILT.

DESIGNED BY: HABETS F.

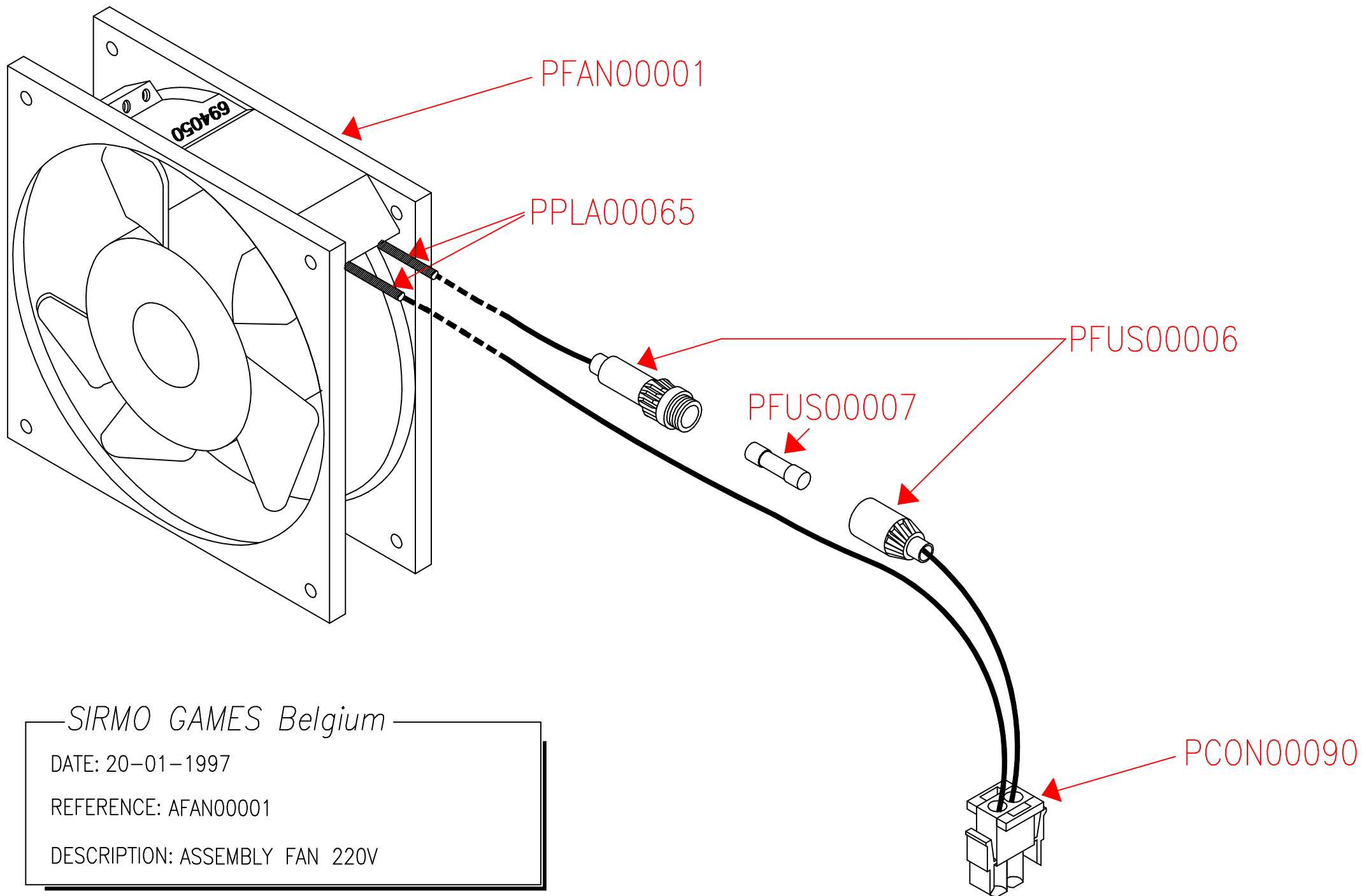


N°	COMPONENTS	Qty
1	PWOD00007	1
2	PLAM00037	1
3	PCON00188	2
4	PSCR00041	5
5	PWIR00023	4cm
6	PMEC00035	1
7	PCON00185	2
8	PMEC00034	2
9	PMEC00032	1
10	PLAM00035	1
11	PCON00189	1

CHAR 00004

CHAR00018

JT
PCB132R5 ECO



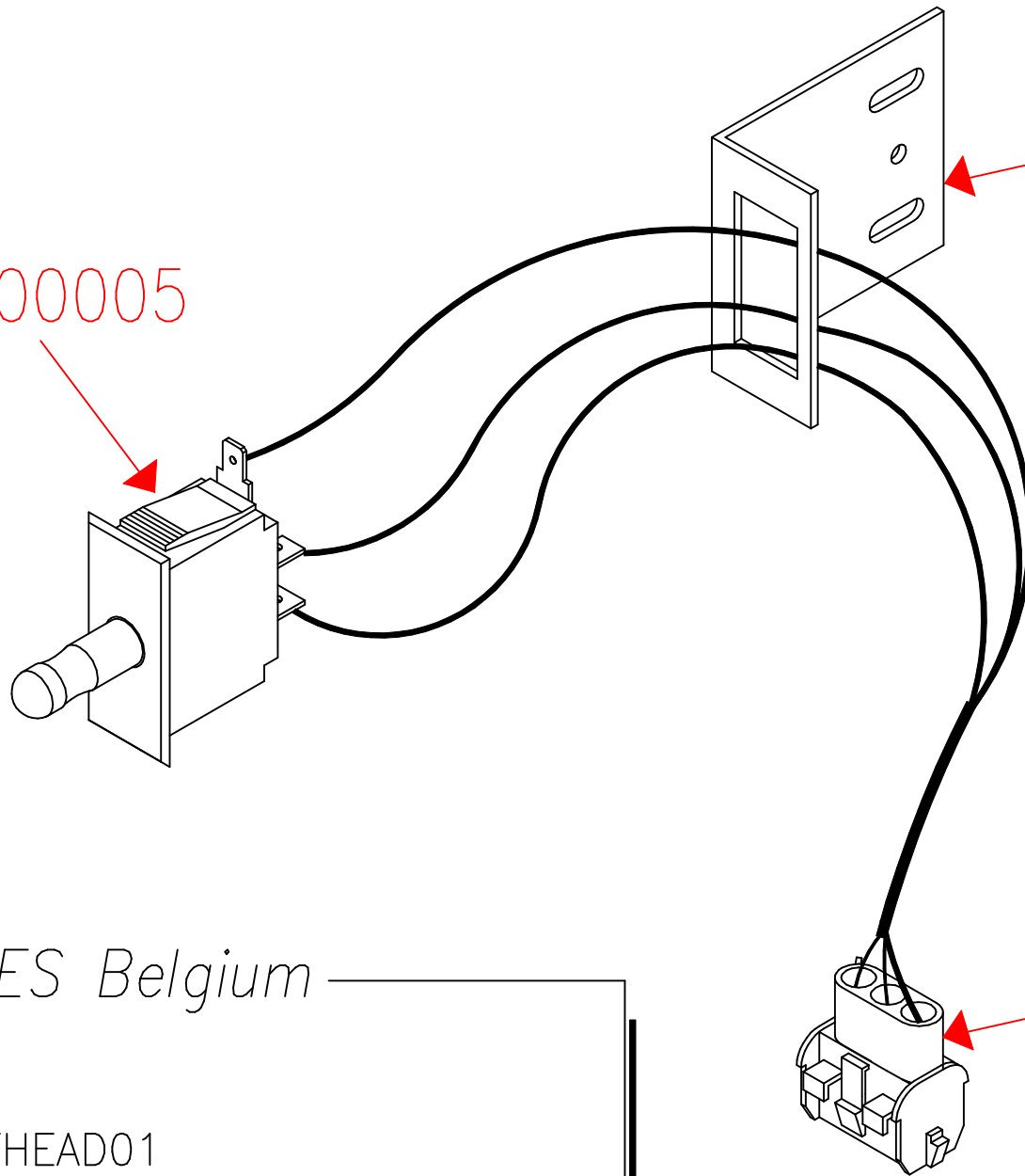
SIRMO GAMES Belgium

DATE: 20-01-1997

REFERENCE: AFAN00001

DESCRIPTION: ASSEMBLY FAN 220V

PSWT00005



PLAM00206

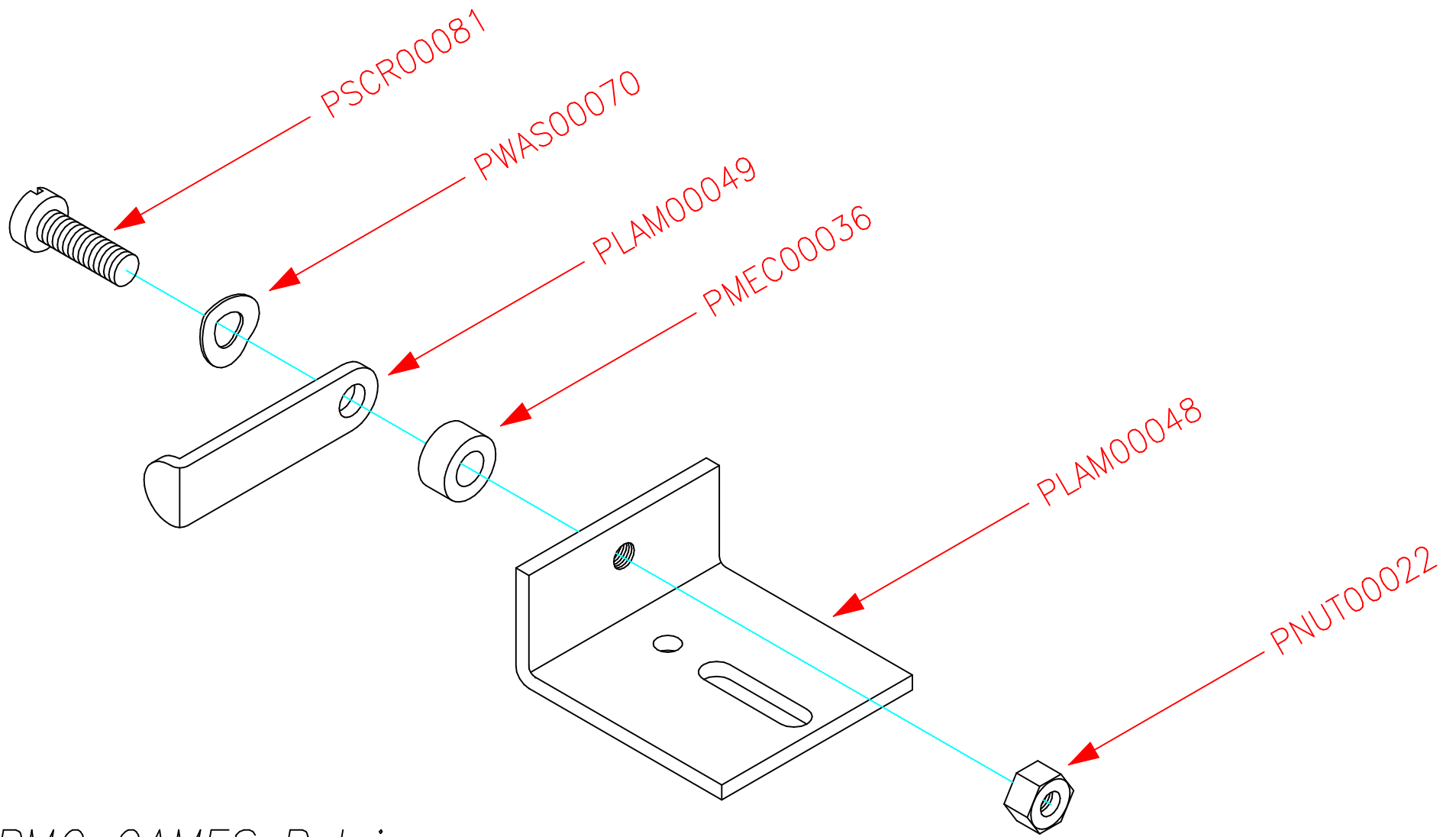
PCON00102

SIRMO GAMES Belgium

DATE: 20-01-1997

REFERENCE: ASWTHEAD01

DESCRIPTION: ASSEMBLY HEAD SWITCH

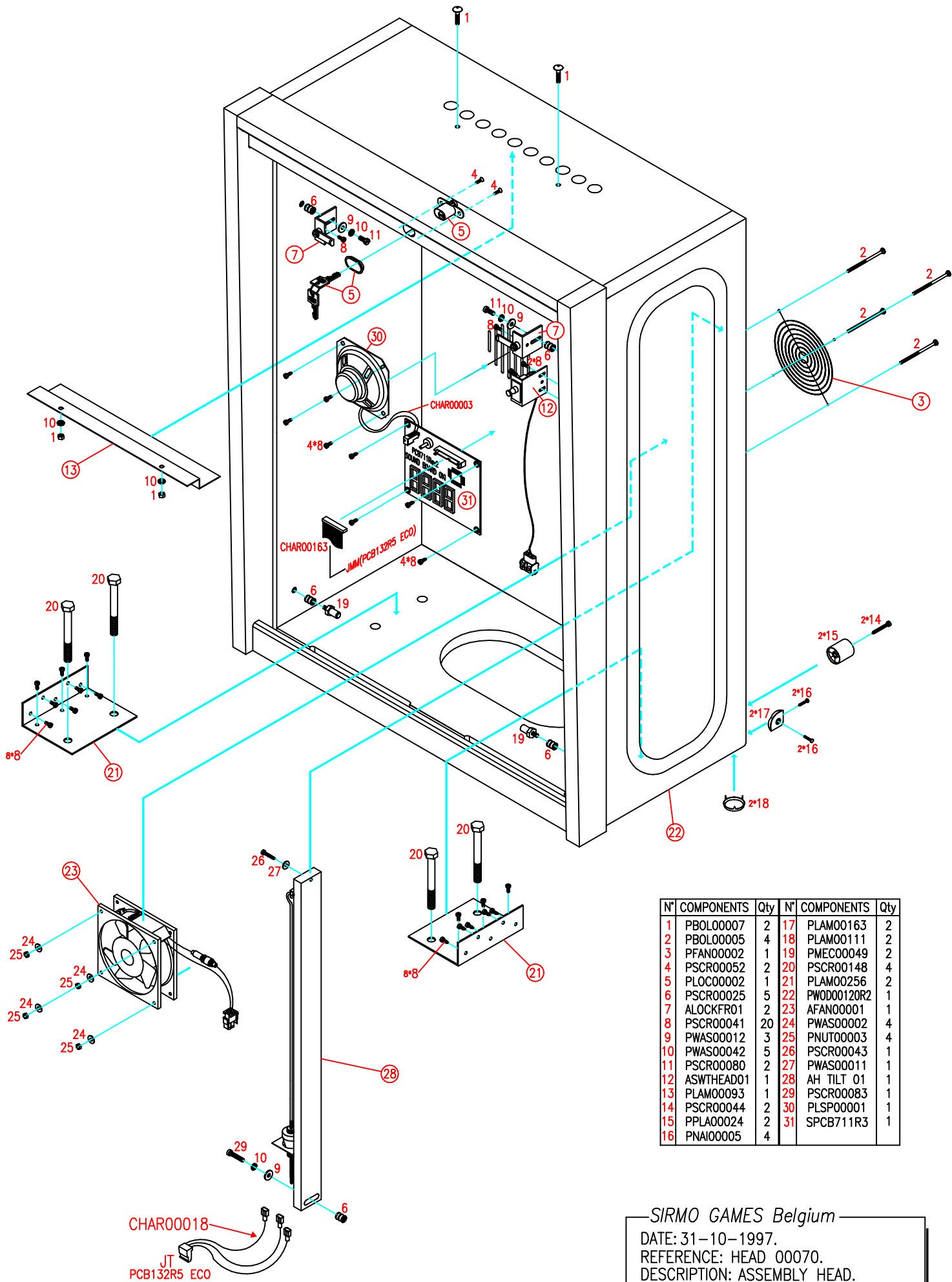


SIRMO GAMES Belgium

DATE: 20-01-1997

REFERENCE: ALOCKFR 01

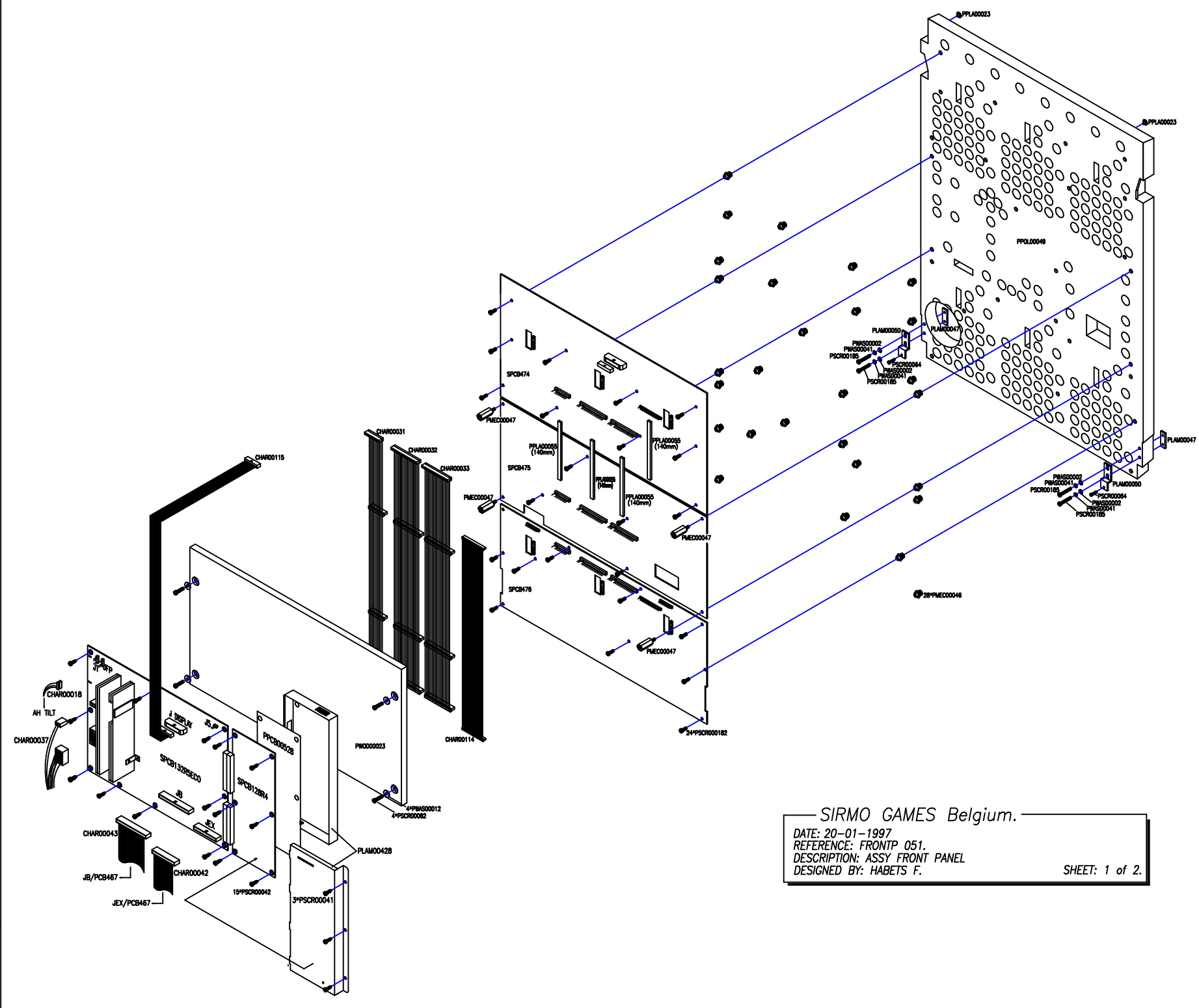
DESCRIPTION: ASSEMBLY LOCK FRONT PANNEL



N°	COMPONENTS	Qty	N°	COMPONENTS	Qty
1	PBOL00007	2	17	PLAM00163	2
2	PBOL00005	4	18	PLAM00111	2
3	PFAN00002	1	19	PMEC00049	2
4	PSCR00052	2	20	PSCR00148	4
5	PLOC00002	1	21	PLAM00256	2
6	PSCR00025	5	22	PWOD00120R2	1
7	ALOCKFR01	2	23	AFAN00001	1
8	PSCR00041	20	24	PWAS00002	4
9	PWAS00012	3	25	PNUT00003	4
10	PWAS00042	5	26	PSCR00043	1
11	PSCR00080	2	27	PWAS00011	1
12	ASWTHEAD01	1	28	AH TILT 01	1
13	PLAM00093	1	29	PSCR00083	1
14	PSCR00044	2	30	PLSP00001	1
15	PPLA00024	2	31	SPCB711R3	1
16	PNAI00005	4			

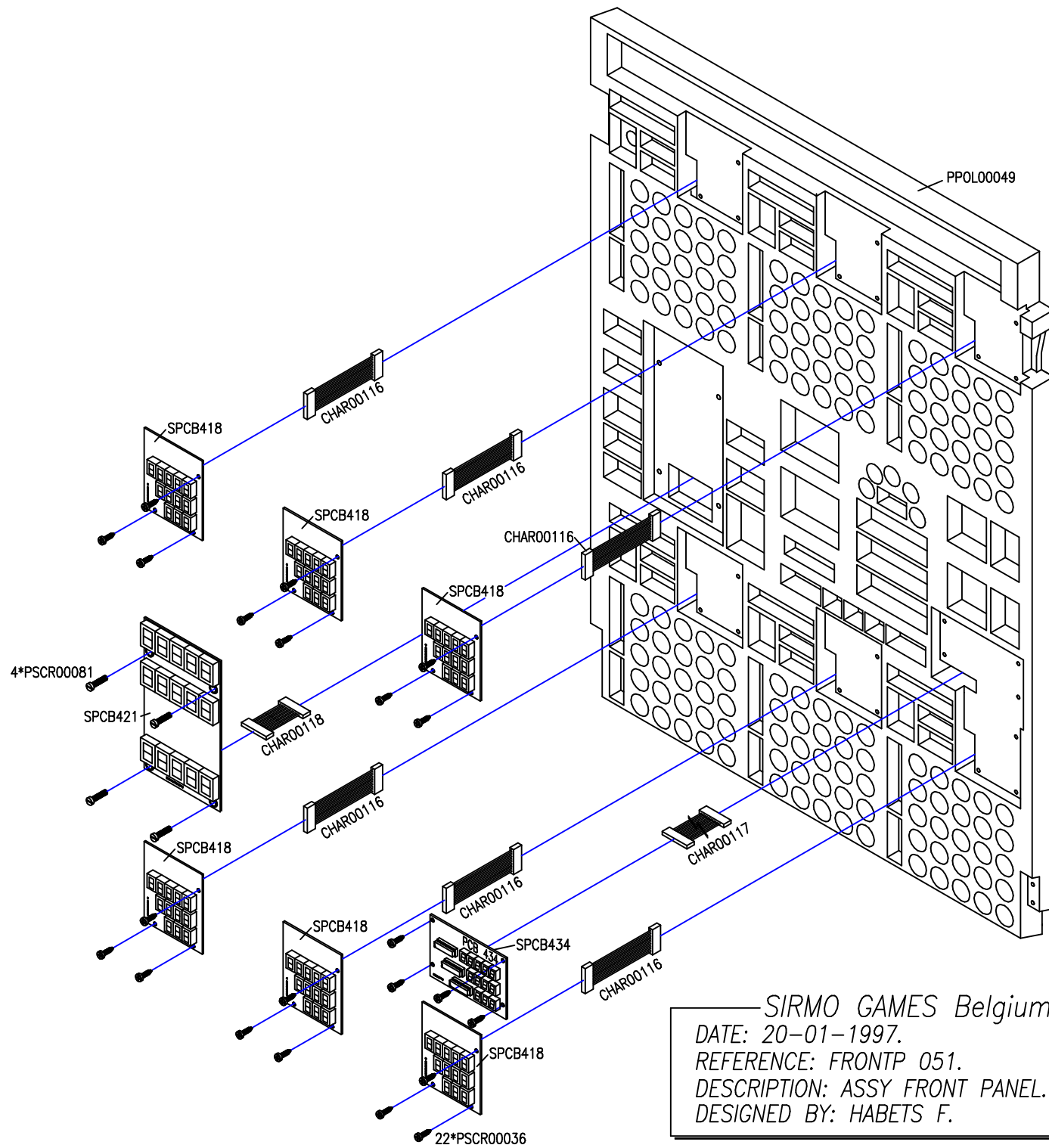
SIRMO GAMES Belgium

DATE: 31-10-1997.
 REFERENCE: HEAD 00070.
 DESCRIPTION: ASSEMBLY HEAD.
 DESIGNED BY: HABETS F.



— SIRMO GAMES Belgium. —
 DATE: 20-01-1997
 REFERENCE: FRONTP 051.
 DESCRIPTION: ASSY FRONT PANEL
 DESIGNED BY: HABETS F.

SHEET: 1 of 2.



SIRMO GAMES Belgium.
 DATE: 20-01-1997.
 REFERENCE: FRONTP 051.
 DESCRIPTION: ASSY FRONT PANEL.
 DESIGNED BY: HABETS F.

SHEET: 2 of 2.